



**John
BOOS**
Since 1887

ITEM #: _____ QTY: _____
 MODEL #: _____
 PROJECT NAME: _____

011719

3601 S. Banker St. Effingham, IL 62401 • P.O. BOX 609 • Ph: (888) 431-2667 • Fax: (800) 433-2667

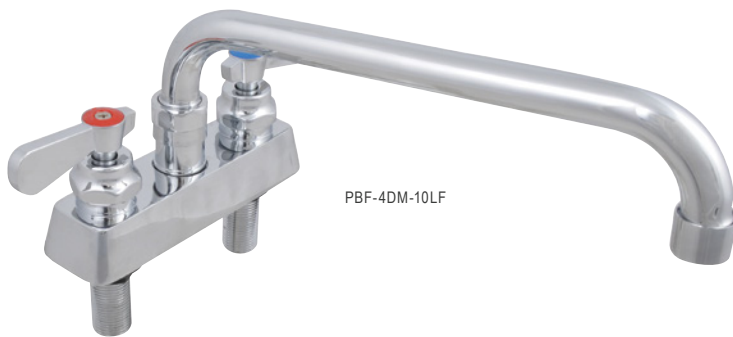
"PBF-4DM" 4" DECKMOUNT HEAVY DUTY FAUCETS

FEATURES:

- HEAVY DUTY DOUBLE SEAT 1/4" TURN CERAMIC CARTRIDGES
- COLOR CODED HOT & COLD INDICATORS
- DOUBLE O-RING SPOUT SEAL
- HIGH POLISHED TRIPLE DIPPED CHROME FINISH
- INTEGRAL CHECK VALVE
- LEAD FREE COMPLIANT



ADA
Compliant



PBF-4DM-10LF

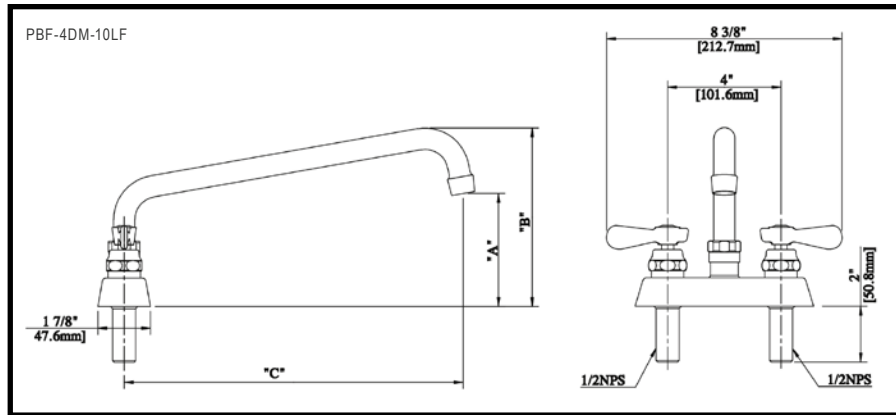
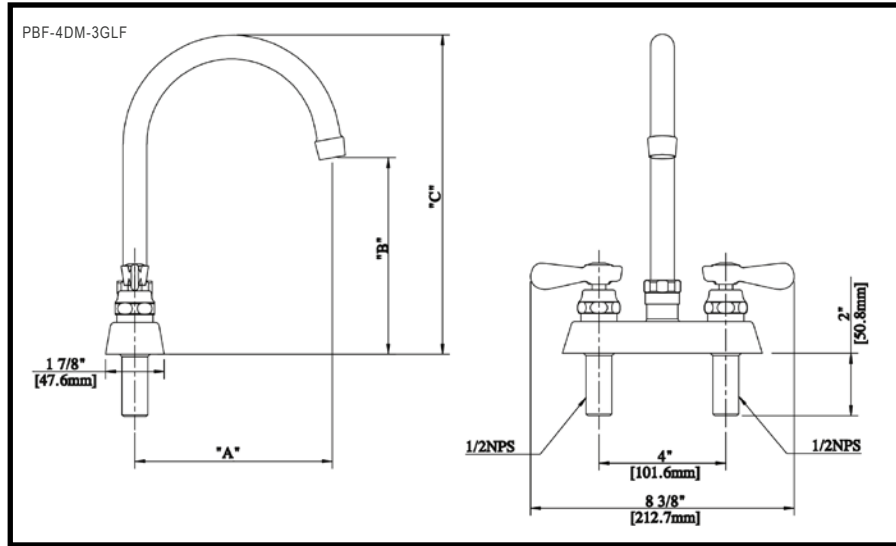


PBF-4DM-3GLF

SWING SPOUT, DECKMOUNT FAUCETS

MODEL #	DESCRIPTION	QTY
PBF-4DM-3GLF	3" GOOSENECK SPOUT	
PBF-4DM-5GLF	5" GOOSENECK SPOUT	
PBF-4DM-8GLF	8" GOOSENECK SPOUT	
PBF-4DM-10LF	10" SWING SPOUT	
PBF-4DM-12LF	12" SWING SPOUT	

DETAILED SPECIFICATIONS



GOOSENECK SPOUT, DECKMOUNT FAUCETS

MODEL #	DESCRIPTION	A	B	C
PBF-4DM-3GLF	3" GOOSENECK SPOUT	3.5"	6.31"	9.09"
PBF-4DM-5GLF	5" GOOSENECK SPOUT	6"	6.22"	10.69"
PBF-4DM-8GLF	8" GOOSENECK SPOUT	8.5"	8.75"	13.63"

SWING SPOUT, DECKMOUNT FAUCETS

MODEL #	DESCRIPTION	A	B	C
PBF-4DM-10LF	10" SWING SPOUT	3.56"	5.75"	10"
PBF-4DM-12LF	12" SWING SPOUT	3.88"	6.16"	12"



ADA Compliant

SOME UNITS SHIP UNASSEMBLED FOR REDUCED SHIPPING COST. ALL DIMENSIONS ARE TYPICAL. TOLERANCE +/- .500"
 John Boos & Co. is constantly engaged in a program of improving products and therefore reserves the right to change specifications without prior notice.



3601 S. Banker St. • Effingham, IL 62401 • PO BOX 609 • quotes@johnboos.com

www.johnboos.com

103018

909