

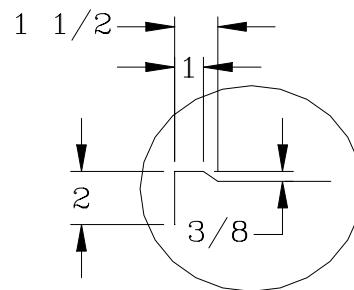


"PB-SS" Mobile Soak Sink

One Compartment Mobile Sink
w/ Stainless Steel Base



Mobile Soak Sink
"PB-SS-208



marine edge
detail view

FEATURES:

- * Standard 16 Gauge Stainless Steel Construction
Type 300 stainless steel with # 4 polish, satin finish
- * 8" Deep, 16 Gauge Stainless Steel Bowls
Type 300 stainless steel with # 4 polish, satin finish
- * All Corners, both vertical and horizontal, covered at 5/8" radius
- * Bottoms of bowls formed for drainage to 3-1/2" diameter die stamped opening
- * Top is finished with a 1-1/2" x 1" **No-Drip Edge**, with a 2" turn down on all sides
- * Standard legs 1-5/8" diameter, 16 gauge stainless steel
Type 300 stainless steel with # 4 polish, satin finish
- * Legs located directly under sink bowls, providing increased stability and maximum weight support
- * Large **Swivel Caster** to insure versatile mobility
- * Twist Lever Waste for easy clean in remote operations

CONSTRUCTION:

- Top: Stainless Steel Sinks are TIG welded, Exposed welds are polished to match adjacent surface.
- Bases: Stainless Steel Bases are MIG welded

MATERIAL:

- Bowls & 16 gauge stainless Steel
- Top: Type 300 stainless steel with # 4 polish, satin finish
- Legs: 1 5/8" Round O.D., 16 gauge stainless steel
Type 300 stainless steel with # 4 polish, satin finish
- Bracing: 1 1/4" Round O.D., 16 gauge stainless steel
Type 300 stainless steel with # 4 polish, satin finish
- Gussets: Stainless Steel
- Caster: 5" Swivel

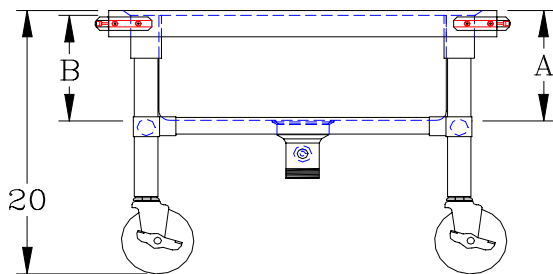
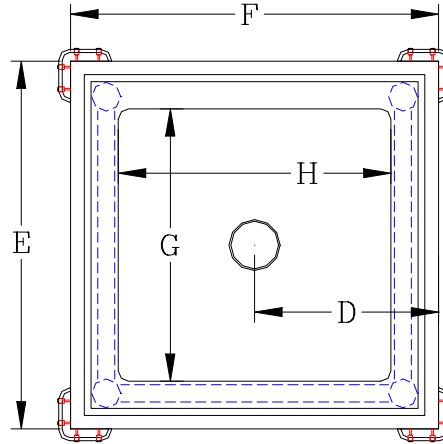
John Boos & Co

315 South First Street - Effingham, IL 62401
Phone: 217-347-7701 - Fax: 217-347-7705
Email: sales@johnboos.com - Web-site: www.johnboos.com

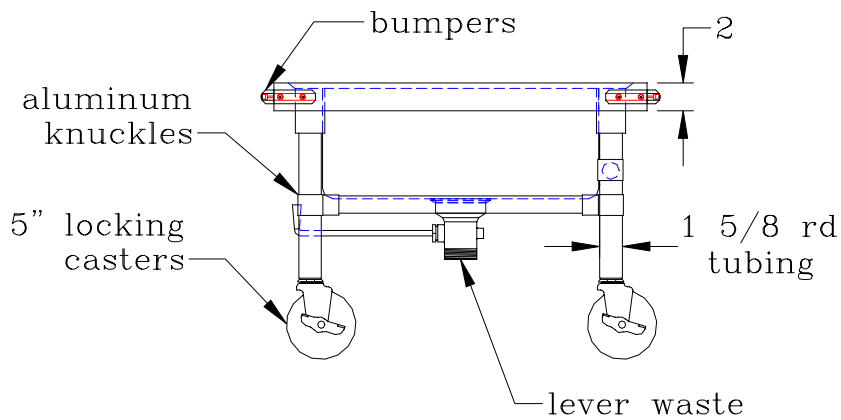
DETAILED SPECIFICATIONS

	20"	34"
A	8-3/8"	8-3/8"
B	8"	8"
C	20"	34"

BOWLS	D	E	F	G	H
20 X 20	13-1/2"	27"	27"	20"	20"



STANDARD 16 GAUGE 20" HIGH			
MODEL	BOWL SIZE	DIMENSIONS	WT.
PB-SS-208	20 X 20 X 8	27" X 27" X 20"	35



All dimensions are typical.
 Tolerance +/- .500".
 All units ship unassembled for reduced shipping cost.

John Boos & Co

315 South First - Effingham, IL 62401 Phone: 217-347-7701 - Fax: 217-347-7705
 Email: sales@johnboos.com - Web-site: www.johnboos.com



November 2010

John Boos is constantly engaged in a program of improving products and therefore reserves the right to change specification without prior notice