

ITEM #: _____ QTY: _____
 MODEL #: _____
 PROJECT NAME: _____

062217

3601 S. Banker St. Effingham, IL 62401 • P.O. BOX 609 • Ph: (888) 431-2667 • Fax: (800) 433-2667

"EES8-SSK" EQUIPMENT STAND
STAINLESS STEEL BASE



FEATURES:

- 18 GAUGE STAINLESS STEEL
- TYPE 430 STAINLESS STEEL WITH #4 POLISH, SATIN FINISH

CONSTRUCTION:

- TOP: STAINLESS STEEL TOPS ARE TIG WELDED, EXPOSED WELDS ARE POLISHED TO MATCH
- BASE: MIG WELDED GALVANIZED FRAME

MATERIAL:

- TOP: 18 GAUGE TYPE 430 STAINLESS STEEL
- SHELF: STAINLESS STEEL
- LEGS: STAINLESS STEEL
- GUSSETS: STAINLESS STEEL
- FEET: PLASTIC ADJUSTABLE

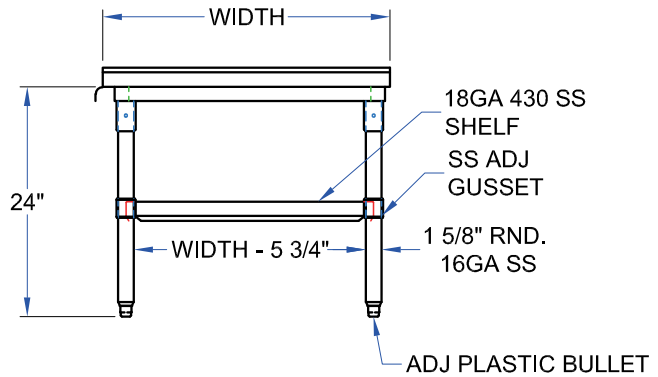
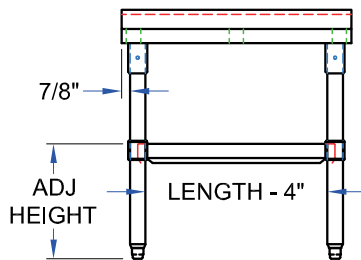
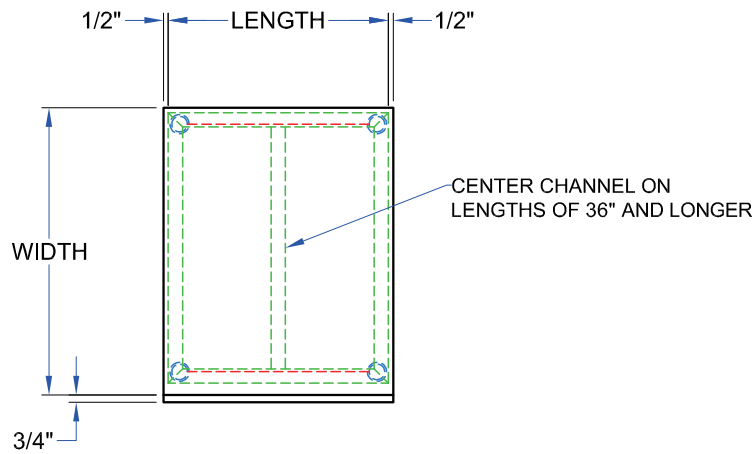


EES8-3048SSK

ECONOMY EQUIPMENT STANDS WITH STAINLESS STEEL BASE

MODEL #	QTY
EES8-3015SSK	
EES8-3018SSK	
EES8-3024SSK	
EES8-3036SSK	
EES8-3048SSK	
EES8-3060SSK	
EES8-3072SSK	

DETAILED SPECIFICATIONS



SOME UNITS SHIP UNASSEMBLED FOR REDUCED SHIPPING COST. ALL DIMENSIONS ARE TYPICAL. TOLERANCE +/- .500"
 John Boos & Co. is constantly engaged in a program of improving products and therefore reserves the right to change specifications without prior notice.

