

DELUXE AND BUDGET DRAWERS



- Stainless Steel Front
- Ball Bearing Slides
- Removable Insert

Item #: _____ Qty #: _____
 Model #: _____
 Project #: _____

DELUXE SERIES DRAWERS DETAILS and SPECIFICATIONS

Insert Size L x W x D	All Stainless Steel	All Stainless Steel with Keyed Lock	Galvanized Body
	Model #	Model #	Model #
20" x 15" x 5"	SS-2015	SS-2015-DL	GZ-2015
15 x 20" x 5"	SS-1520	SS-1520-DL	GZ-1520
20 x 20" x 5"	SS-2020	SS-2020-DL	GZ-2020

NOTE: Drawers Fit Tables 24" Wide Front To Back or Wider

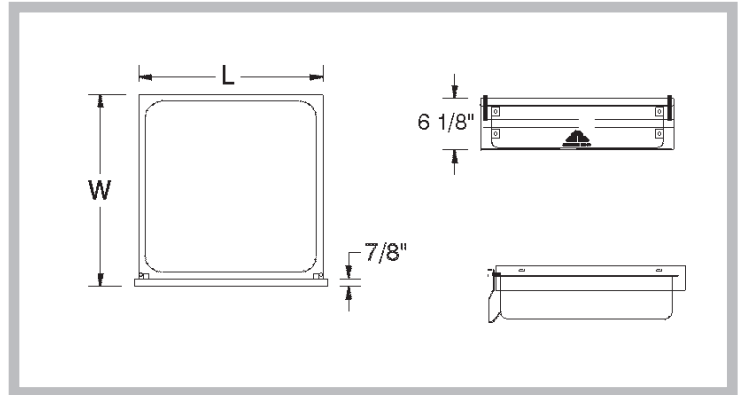
DELUXE AND BUDGET DRAWER ACCESSORIES

Padlockable Drawer Lock TA-13
(Does not include lock. Fits padlocks up to 3/8" Dia. lock shaft)

Keyed Drawer Lock TA-14
(Does not apply to Budget Drawers)

Drawer Adapter/Non Catalog Tables
(Specify table width) TA-90

TOL ± .500" ALL DIMENSIONS ARE TYPICAL



- Friction Slides
- Die Formed Handle

MODEL #	Type	Length	Width	Insert
FS-2015	Stainless Steel	21 1/2"	17 3/4"	20" x 15" x 5"
FG-2015	Galvanized	21 1/2"	17 3/4"	20" x 15" x 5"
FS-2020	Stainless Steel	21 1/2"	22 3/4"	20" x 20" x 5"
FG-2020	Galvanized	21 1/2"	22 3/4"	20" x 20" x 5"
FS-1520	Stainless Steel	17 3/4"	21 1/2"	15" x 20" x 5"
FG-1520	Galvanized	17 3/4"	21 1/2"	15" x 20" x 5"

BUDGET SERIES DRAWERS DETAILS and SPECIFICATIONS

TOL ± .500" ALL DIMENSIONS ARE TYPICAL

