



STAINLESS STEEL
ENCLOSED BASE BEVERAGE TABLE



Item #: _____ **Qty #:** _____
Model #: _____
Project #: _____



Model #	Length	Weight
BEV-30-48LorR*	48"	230 lbs.
BEV-30-60LorR*	60"	250 lbs.
BEV-30-72LorR*	72"	300 lbs.
BEV-30-84LorR*	84"	350 lbs.
BEV-30-96LorR*	96"	400 lbs.
BEV-30-108LorR*	108"	450 lbs.
BEV-30-120LorR*	120"	500 lbs.
BEV-30-144LorR*	144"	550 lbs.

*SPECIFY SINK LEFT OR RIGHT END:
 Please designate left or right sink location by using L or R
 after model number when ordering

FEATURES:

Top is furnished with a 2" x 1" square die embossed No-Drip countertop offset edge with 1/2" return on 3 sides and a 10" splash with a 2" return on the rear side.

UNIT BODY DESIGN sides, back and shelf are welded to form a single rigid structure. Furnished with a stainless steel intermediate shelf and a 14" x 16" x 12" **Deep Drawn** sink bowl integrally welded to top. 1 1/2" I.P.S. basket type drain.

TOP is assembled to body to form a flush fit and is supplied with a 5" x 1" urn trough with no-splash drain plate.

G.F.I. duplex electrical outlet mounted in back splash.

Front hinge door and open back under sink area permits ease-of-installation of plumbing fixtures. Partial undershelf for storage.

Easy to install - multi-purpose unit.

MATERIAL:

TOP is 14 gauge stainless steel type "304" series.

BODY is 18 gauge stainless steel type "430" series.

LEGS are 1 5/8" diameter, tubular stainless steel with stainless steel gussets and 1" adjustable stainless steel bullet feet.

FAUCET is splash mounted 4" O.C. with an 8 1/2" diameter gooseneck spout. Supply is 1/2" hot and cold.

CONSTRUCTION:

All TIG welded.

TOP and all exposed surfaces are mechanically polished to a satin finish and sound deadened.

Countertop edge is polished to a MIRROR finish.

Roll formed embossed galvanized hat channels are secured to top by means of structural adhesive and weld studs.



Customer Service Available To Assist You 1-800-645-3166 8:30 am - 8:00 pm E.S.T.

Email Orders To: customer@advancetabco.com. For Smart Fabrication™ Quotes, Email To: smartfab@advancetabco.com or Fax To: 631-586-2933

NEW YORK
 Fax: (631) 242-6900

GEORGIA
 Fax: (770) 775-5625

TEXAS
 Fax: (972) 932-4795

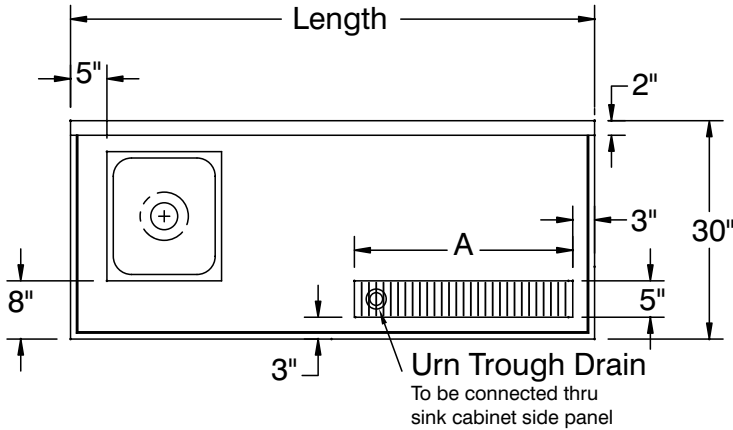
NEVADA
 Fax: (775) 972-1578

DETAILS and SPECIFICATIONS

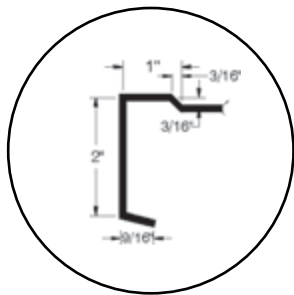
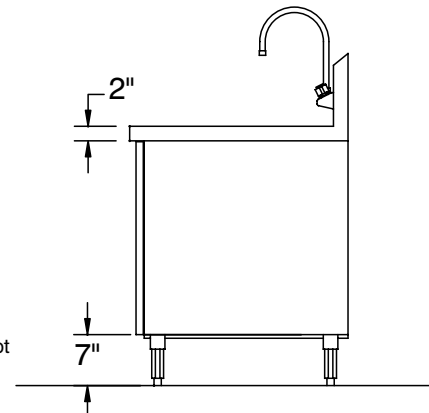
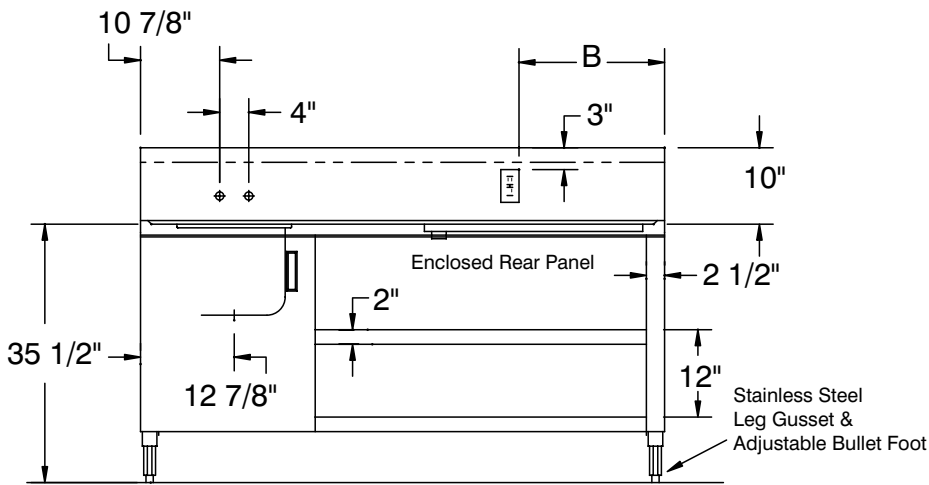
TOL ± .500"

ALL DIMENSIONS ARE TYPICAL

14" x 16" x 12" Sink Bowl • Deep Drawn Bowls

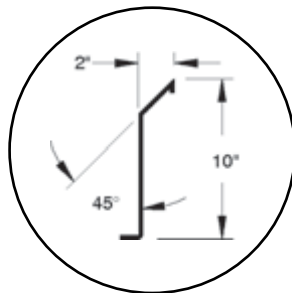


Model #	Length	A	B
BEV-30-48LorR*	48"	18"	12"
BEV-30-60LorR*	60"	24"	14"
BEV-30-72LorR*	72"	36"	20"
BEV-30-84LorR*	84"	36"	20"
BEV-30-96LorR*	96"	36"	20"
BEV-30-108LorR*	108"	36"	20"
BEV-30-120LorR*	120"	36"	20"
BEV-30-144LorR*	144"	36"	20"



COUNTERTOP EDGE
DETAIL

SPLASH DETAIL



SUGGESTED PLUMBING

Rear of sink cabinet is open for easy plumbing installation

