



STAINLESS STEEL
ECONOMY DISHTABLES
CLEAN STRAIGHT

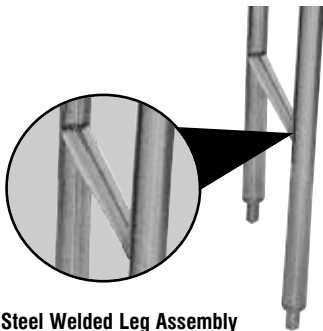
16 Gauge, 304 Stainless Steel



Item #: _____ *Qty #:* _____
Model #: _____
Project #: _____



DTC-S60-60L-X Shown



Stainless Steel Welded Leg Assembly with Cross Bracing
 (Standard on S70 Series)

FEATURES:

Tile edge for ease of installation.
 Dishtable system consists of SOIL and CLEAN sections.
 Table is furnished with 10-1/2" Backsplash with a 2" return.

S70 SERIES: Stainless Steel Welded Leg Assembly with Cross Bracing.
 Stainless Steel Legs with Stainless Steel Bullet Feet.

S60 SERIES: Galvanized Legs with Plastic Bullet Feet.

CONSTRUCTION:

All TIG welded.
 Welded areas blended to match adjacent surfaces and to a satin finish.
 Stainless Steel Gussets welded to a stainless steel support channel.

16 Gauge 304 TOP S/S Welded Leg Assembly, Stainless Steel Bullet Feet	16 Gauge 304 TOP Galvanized Legs Plastic Bullet Feet
---	--

Nominal Size	"L"	S70 SERIES	S60 SERIES	Approx. Wt.
2 Ft.	24"	DTC-S70-24L or R-X	DTC-S60-24L or R-X	35 lbs.
3 Ft.	36"	DTC-S70-36L or R-X	DTC-S60-36L or R-X	45 lbs.
4 Ft.	48"	DTC-S70-48L or R-X	DTC-S60-48L or R-X	60 lbs.
5 Ft.	60"	DTC-S70-60L or R-X	DTC-S60-60L or R-X	70 lbs.
6 Ft.	72"	DTC-S70-72L or R-X	DTC-S60-72L or R-X	85 lbs.
8 Ft.	96"	DTC-S70-96L or R-X	DTC-S60-96L or R-X	110 lbs.

Nominal sizing for ease of installation.



Optional Stainless Steel UNDERSHELF with Die Cast LEG CLAMP

secured to shelf eliminates unsightly nuts & bolts

ACCESSORIES	Model #	Qty
Prerinse Faucet	DTA-53-1X	
Rack Shelf		
Undershelf		



DTA-53-1X



NEW YORK
 (800) 645-3166
 Fax: (631) 242-6900

GEORGIA
 (800) 832-1218
 Fax: (770) 775-5625

TEXAS
 (800) 527-0353
 Fax: (972) 932-4795

NEVADA
 (800) 446-8684
 Fax: (775) 972-1578

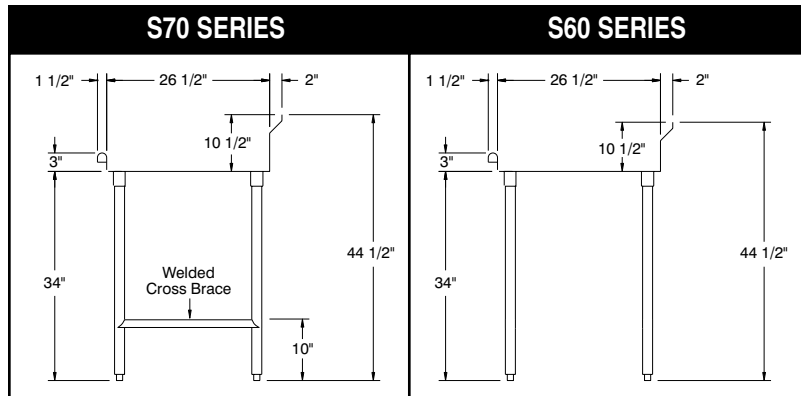
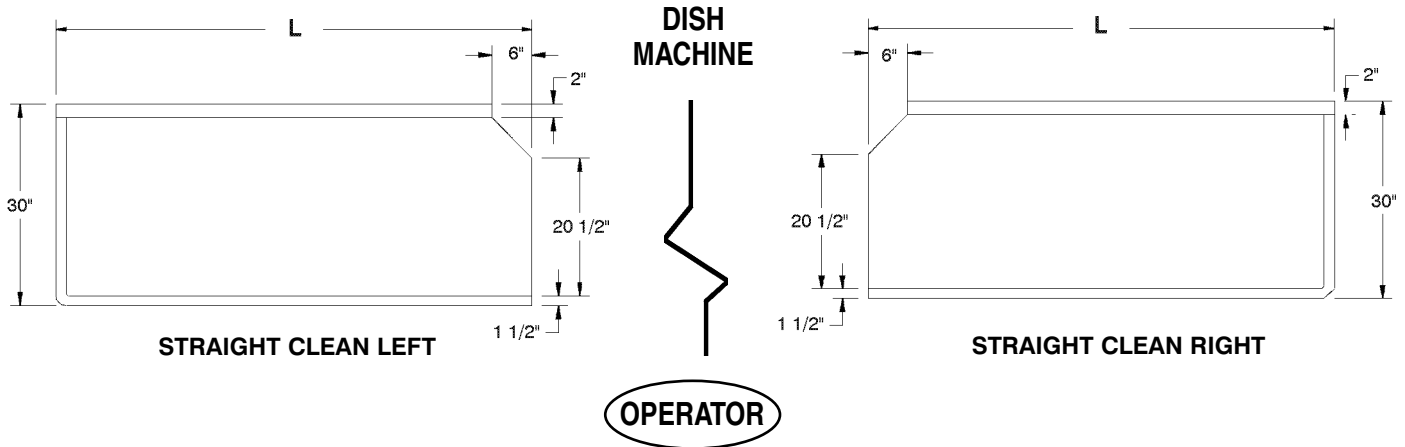
For Assistance with Smart Modifications & Accessories Call: **1-800-498-6634 Fax: 631-586-2933**
 smartfab@advancetabco.com

DIMENSIONS and SPECIFICATIONS

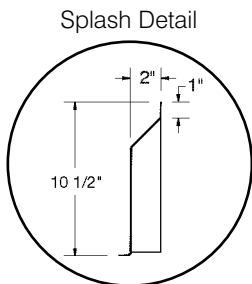
TOL ± .500"

ALL DIMENSIONS ARE TYPICAL

SEE DISH MACHINE COMPATIBILITY CHART TO ENSURE PROPER FIT
DISH MACHINE COMPATIBILITY CHART CAN BE FOUND IN BACK OF THE SECTION "P" INDEX



*CUSTOMIZE YOUR OWN SYSTEM
 by Ordering Optional Accessories from our
 PRODUCT & PRICE GUIDE*



Description	S70 SERIES	S60 SERIES
Material	16 Ga. 304 Series	16 Ga. 304 Series
1 5/8" Dia. Legs	Stainless Steel	Galvanized
Gussets	Stainless Steel	Stainless Steel
Bullet Feet (1" adj.)	Stainless Steel	Plastic
Cross Bracing	Welded	Optional



ADVANCE TABCO is constantly engaged in a program of improving our products. Therefore, we reserve the right to change specifications without prior notice.