



STAINLESS STEEL  
**DROP-IN SINKS**  
 One Compartment - FOR HAND SINK USE

Sinks Includes Gooseneck Faucet & Drain



Item #: \_\_\_\_\_ Qty #: \_\_\_\_\_  
 Model #: \_\_\_\_\_  
 Project #: \_\_\_\_\_

**FEATURES:**

One piece seamless **Deep Drawn** sink bowl design.  
 All sink bowls have a large liberal radii with a minimum dimension of 2" and are rectangular in design for increased capacity.  
 Self-Rim Design. Mounting hardware is provided. For counters over 7/8" and up to 1-1/2" thick, please order Thick-Counter Mounting Clips for Drop-In Sinks, **Model # K-28 Per Sink**. (Quantity supplied varies based on drop in sink ordered).  
 Includes 4" O.C. **K-52** faucet & basket drain.

**CONSTRUCTION:**

Unit fabricated from one sheet of stainless steel.  
 All bowls are Sound Deadened.  
 Units feature Advance Tabco's **Smart Finish™**.

**MECHANICAL:**

Faucet supply is 1/2" IPS male thread.  
 Deck mounted faucet is furnished with aerator and 4" O.C.

**MATERIAL:**

20 gauge type 304 series stainless steel.  
 Faucets are brass-nickel plated.  
 Stainless Steel 1-1/2" IPS basket drain.



DI-1-5



DI-1-25



DI-1-5SP



DI-1-10



Standard Mounting Clips  
 For Countertops 7/8" Thick  
 or Less (Included)



**K-28 (Per Sink)**  
 Mounting Clips For Countertops  
 Over 7/8" Thick (Maximum of 1 1/2")

New 6  
 Rear & Side  
 Splash



DI-1-10SP



DI-1-35

Available Faucets & Accessories	Model #	Qty
Deck Mounted 3 1/2" Gooseneck. 4" O.C.	<b>K-52</b>	
Deck Mounted 8 1/2" Gooseneck. 4" O.C.	<b>K-55</b>	
Deck Mounted Swing w/Spray. 8" O.C.*	<b>K-58</b>	
Deck Mtd. X.H.D. 3 1/2" Gooseneck. 4" O.C.	<b>K-62</b>	
Thick-Counter Mounting Clips for Countertops over 7/8" and up to 2". (Qty. supplied varies based on sink ordered)	<b>K-28</b>	

\*REQUIRES **K-472** FAUCET HOLE REVISION

**Standard Faucet conforms to NSF 61 Standard 9. An optional faucet upgrade is required for compliance to AB 1953 Standards.**

For Replacement Faucets & Upgrades, Drains & Accessories visit our website at [www.advancetabco.com](http://www.advancetabco.com)



Customer Service Available To Assist You **1-800-645-3166** 8:30 am - 8:00 pm E.S.T.

Email Orders To: [customer@advancetabco.com](mailto:customer@advancetabco.com). For Smart Fabrication™ Quotes, Email To: [smartfab@advancetabco.com](mailto:smartfab@advancetabco.com) or Fax To: 631-586-2933

**NEW YORK**  
 Fax: (631) 242-6900

**GEORGIA**  
 Fax: (770) 775-5625

**TEXAS**  
 Fax: (972) 932-4795

**NEVADA**  
 Fax: (775) 972-1578

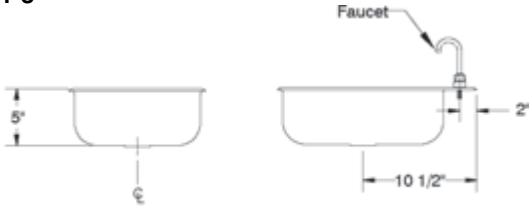
# DIMENSIONS and SPECIFICATIONS

TOL ± .125"

Supplied with K-52 Faucet

ALL DIMENSIONS ARE TYPICAL

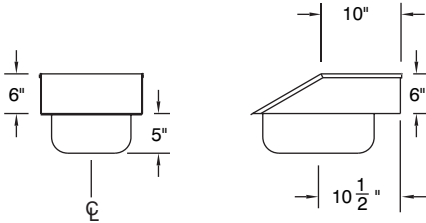
DI-1-5



Approx. Wt. 12 lbs.



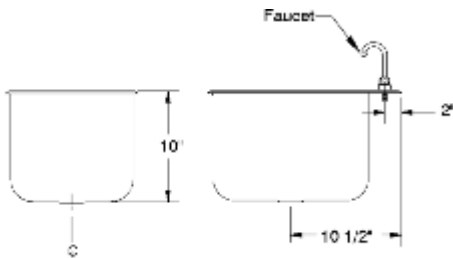
DI-1-5SP



Approx. Wt. 16 lbs.



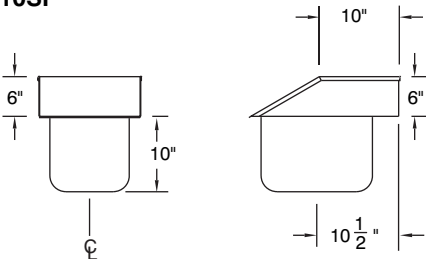
DI-1-10



Approx. Wt. 14 lbs.



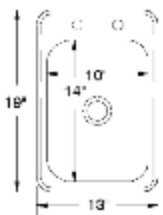
DI-1-10SP



Approx. Wt. 18 lbs.

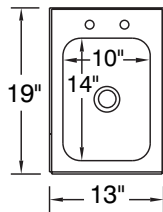


TOP VIEW FOR  
DI-1-5 & DI-1-10

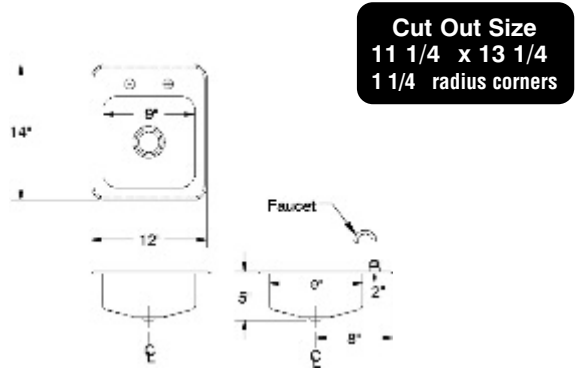


**Cut Out Size**  
12 1/4 x 18 1/4  
1 1/4 radius corners

TOP VIEW FOR  
DI-1-5SP & DI-1-10SP



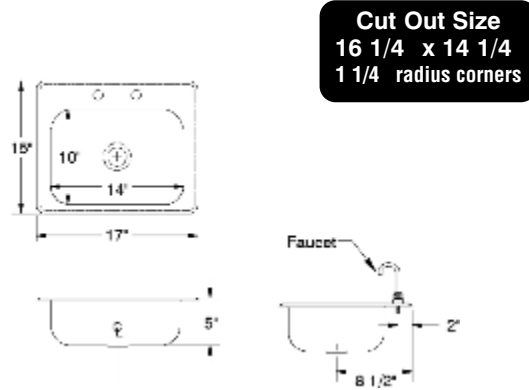
DI-1-25



Approx. Wt. 8 lbs.



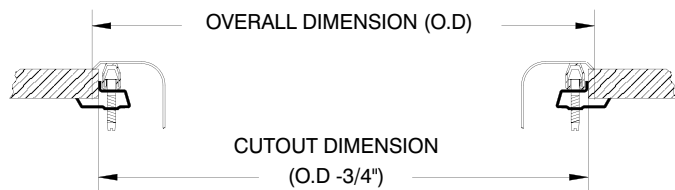
DI-1-35



Approx. Wt. 10 lbs.



## TYPICAL INSTALLATION



Cut-Out Size = L to R x F to B

