



STAINLESS STEEL ECONOMY FILLER TABLE



Item #: _____ Qty #: _____

Model #: _____

Project #: _____



Adjustable Undershelf



FEATURES:

TOP is furnished with 1 5/8" sanitary rolled rim edge in front. Square edges on sides and 1/12" splash of single metal thickness on rear.

Hat channels stud welded to top which reinforces and maintains a level working surface.

Adjustable undershelf.

CONSTRUCTION:

All TIG welded. Exposed weld areas polished to match adjacent surfaces.

Entire top mechanically polished to a satin finish.

Top is sound deadened.

Roll formed embossed galvanized hat channels are secured to top by means of structural adhesive and weld studs.

Gussets welded to support hat sections.

MATERIAL:

18 gauge stainless steel type "430" series top.

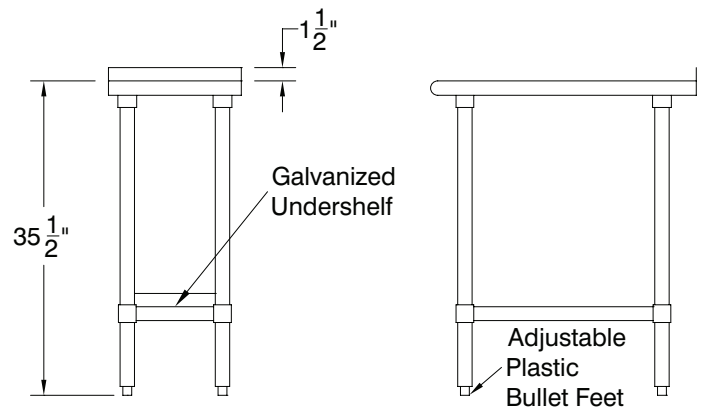
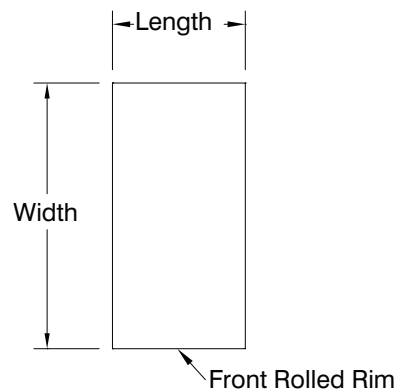
FT Series: Galvanized undershelf with 1 5/8" diameter tubular galvanized steel legs with 1" adjustable plastic bullet feet.

FTS Series: Stainless steel undershelf with 1 5/8" diameter tubular stainless steel legs with 1" adjustable stainless steel bullet feet.

DETAILS and SPECIFICATIONS

TOL ± .500"

ALL DIMENSIONS ARE TYPICAL



	Model #	Width	Length	Wt.	Cu. Ft.
Galvanized Legs & Undershelf	FT-3012	30"	12"	22 lbs.	2
	FT-3015	30"	15"	26 lbs.	2
	FT-3018	30"	18"	33 lbs.	3
	FT-3024	30"	24"	44 lbs.	3
S/S Legs & Undershelf	FTS-3015	30"	15"	26 lbs.	2
	FTS-3018	30"	18"	33 lbs.	3



Customer Service Available To Assist You **1-800-645-3166** 8:30 am - 8:00 pm E.S.T.

For Orders & Customer Service:

Email: customer@advancetabco.com or Fax: 631-242-6900

For Smart Fabrication™ Quotes:

Email: smartfab@advancetabco.com or Fax: 631-586-2933