

# WIRE SHELVING ACCESSORIES

*Item #:* \_\_\_\_\_ *Qty #:* \_\_\_\_\_

*Model #:* \_\_\_\_\_

*Project #:* \_\_\_\_\_

 EC-5	 EC-11
 EC-10	 EC-15
 EC-16	 EC-20
 EC-25	 EC-26
 EC-30 (for Add-Shelving see pages S-1 & S-2)	 EC-40
 UCH-18, UCH-24	 Shelf Ledges SL Series   Shelf Dividers SD Series

- Model # Description**
- EC-5** Post Clamp
  - EC-10** Replacement Leveling Foot
  - EC-11** Foot Plate
  - EC-15** Collar Filler Caps
  - EC-16** Post Cap
  - EC-20** Tapered Split Sleeves (4 per pack)
  - EC-25** 5" Rubber Swivel Stem Casters (set of 4)
  - EC-26** 5" Poly Swivel Stem Casters (set of 4)
  - EC-30** Chrome S Hooks for Add-Shelving (2 pk.)
  - EC-40** Label Holder (3" x 1")
  - UCH-18** 18" Utility Cart Handle
  - UCH-24** 24" Utility Cart Handle
- SHELF LEDGES - 4" HEIGHT**
- SL-14** 14" Width
  - SL-18** 18" Width
  - SL-24** 24" Width
  - SL-36** 36" Width
  - SL-42** 42" Width
  - SL-48** 48" Width
  - SL-60** 60" Width
- SHELF DIVIDERS - 8" HEIGHT**
- SD-14** 14" Width
  - SD-18** 18" Width
  - SD-24** 24" Width

MODEL #	Qty
EC-5	
EC-10	
EC-11	
EC-15	
EC-16	
EC-20	
EC-25	
EC-26	
EC-30	
EC-40	
UCH-18	
UCH-24	
SL-14	
SL-18	
SL-24	
SL-36	
SL-42	
SL-48	
SL-60	
SD-14	
SD-18	
SD-24	



CHROME GREEN EPOXY

### 3-SIDED FRAME

MODEL #	MODEL #	Size	Qty
SF-1824		18" x 24"	
SF-1830		18" x 30"	
SF-1836	GF-1836	18" x 36"	
SF-1848	GF-1848	18" x 48"	
SF-1860	GF-1860	18" x 60"	
SF-2424		24" x 24"	
SF-2430		24" x 30"	
SF-2436	GF-2436	24" x 36"	
SF-2448	GF-2448	24" x 48"	
SF-2460	GF-2460	24" x 60"	

# DETAILS and SPECIFICATIONS

TOL ± .500"

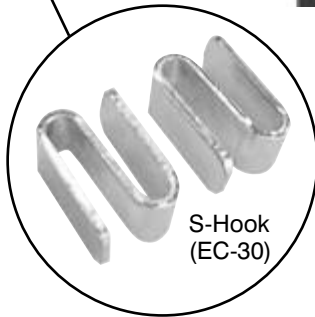
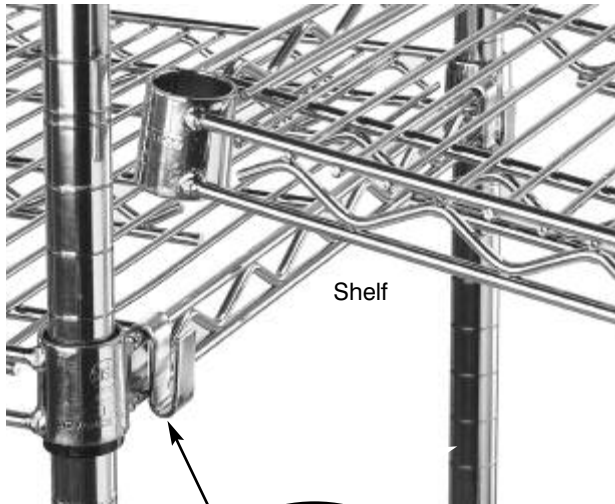
ALL DIMENSIONS ARE TYPICAL

## ADD-SHELVING COMBO



### Available in Chrome - ECAD SERIES

includes 4 chrome shelves, 2 - 74" posts and 8 S-hooks



MODEL	Shelf Size	Approx. Wt.
ECAD-1436	14" x 36"	55 lbs.
ECAD-1442	14" x 42"	60 lbs.
ECAD-1448	14" x 48"	66 lbs.
ECAD-1460	14" x 60"	84 lbs.
ECAD-1472	14" x 72"	98 lbs.
ECAD-1836	18" x 36"	59 lbs.
ECAD-1842	18" x 42"	64 lbs.
ECAD-1848	18" x 48"	72 lbs.
ECAD-1860	18" x 60"	90 lbs.
ECAD-1872	18" x 72"	106 lbs.
ECAD-2436	24" x 36"	66 lbs.
ECAD-2442	24" x 42"	72 lbs.
ECAD-2448	24" x 48"	80 lbs.
ECAD-2460	24" x 60"	102 lbs.
ECAD-2472	24" x 72"	118 lbs.

