



STAINLESS STEEL

TUBULAR WALL MOUNTED KNOCKDOWN DRAINAGE SHELVES



Item #: _____ **Qty #:** _____

Model #: _____

Project #: _____

Model	Length	Wt.
DT-6R-36	15" x 36"	21
DT-6R-48	15" x 48"	25
DT-6R-60	15" x 60"	29
DT-6R-72	15" x 72"	33

FEATURES:

15" Deep, horizontal surface area accommodates a variety of drainage applications.

CONSTRUCTION:

Knock Down Design for ease of field installation and lower freight costs.

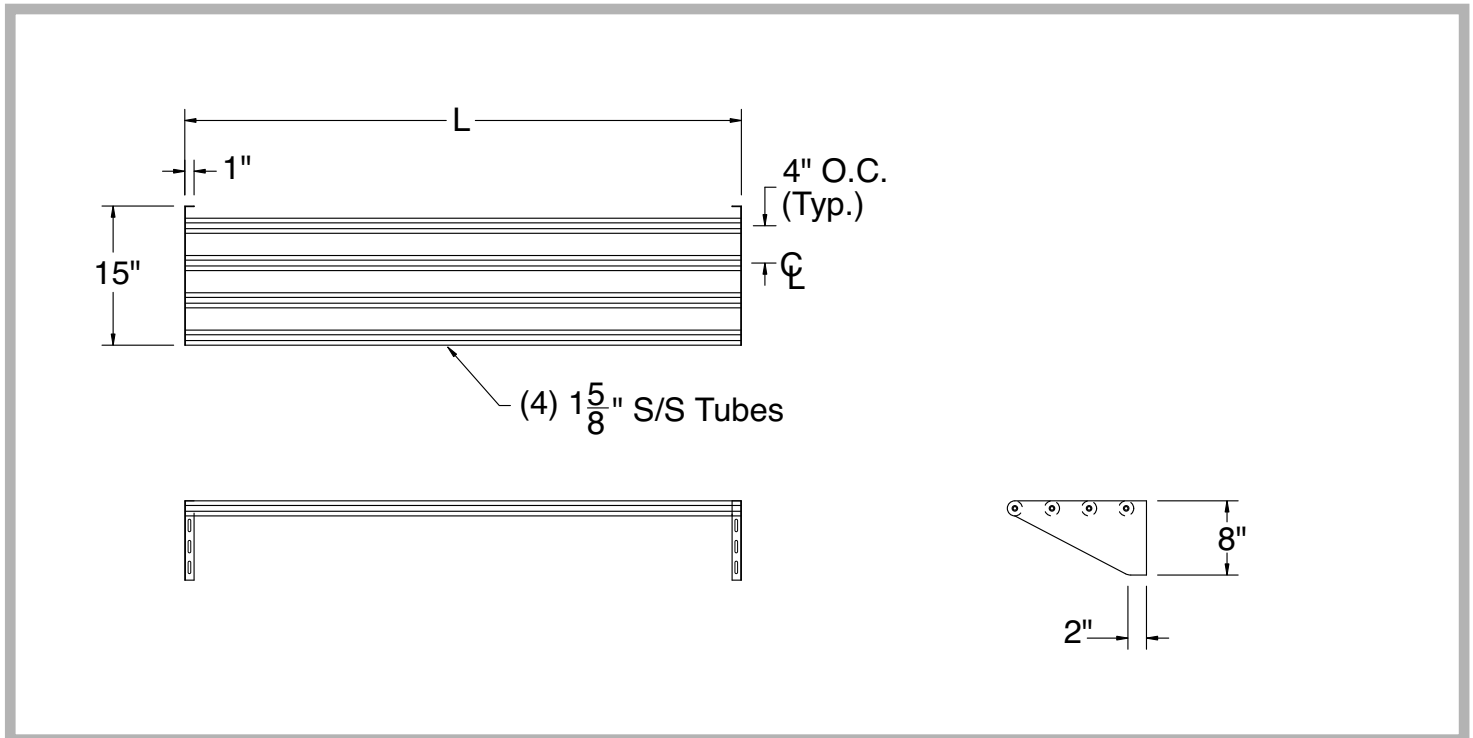
MATERIAL:

1 5/8" diameter stainless steel type "300" tubing.
Side brackets type "300" stainless steel.

DETAILS and SPECIFICATIONS

TOL ± .500"

ALL DIMENSIONS ARE TYPICAL



 ADVANCE TABCO SMART FABRICATION™ www.advancetabco.com	Customer Service Available To Assist You 1-800-645-3166 8:30 am - 8:00 pm E.S.T.			
	Email Orders To: customer@advancetabco.com . For Smart Fabrication™ Quotes, Email To: smartfab@advancetabco.com or Fax To: 631-586-2933			
NEW YORK Fax: (631) 242-6900	GEORGIA Fax: (770) 775-5625	TEXAS Fax: (972) 932-4795	NEVADA Fax: (775) 972-1578	