



**Item #:** \_\_\_\_\_ **Qty #:** \_\_\_\_\_  
**Model #:** \_\_\_\_\_  
**Project #:** \_\_\_\_\_



CANTILEVER  
BRACKET



"L"  
BRACKET

18" WIDE	24" WIDE	Length
PA-18-48'	PA-24-48"	48"
PA-18-60'	PA-24-60"	60"
PA-18-72'	PA-24-72"	72"
PA-18-84'	PA-24-84"	84"
PA-18-96'	PA-24-96"	96"
PA-18-108'	PA-24-108*	108"
PA-18-120'	PA-24-120"	120"
PA-18-132'	PA-24-132"	132"
PA-18-144'	PA-24-144"	144"

\*L Brackets (2) included with 18" wide shelves.

\*\* Cantilever Brackets included with 24" wide shelves.

**FEATURES:**

New Hat Channel design allows shelf to be freely positioned  
Includes Wall Mounting Brackets for Securing Shelf to Desired Position  
Furnished with 1-1/2" sanitary roll down along length at front and rear.  
Ends are square with 1-1/2" turn down at wall dimension.

**CONSTRUCTION:**

All TIG welded. Exposed welded areas polished to match adjacent surface.

**MATERIAL:**

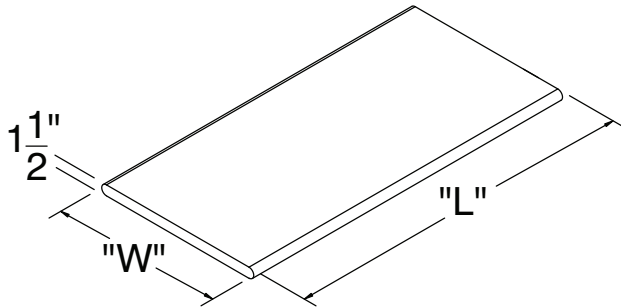
Heavy Gauge Stainless Steel Shelf and Brackets.  
Heavy Gauge Galvanized Hat Channel.

# DETAILS and SPECIFICATIONS

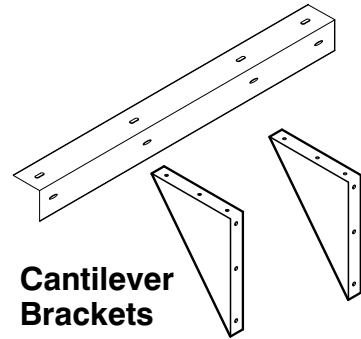
TOL ± .500"

ALL DIMENSIONS ARE TYPICAL

Top View of Shelf

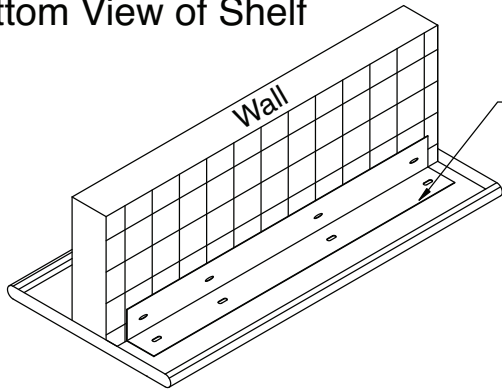


"L" Bracket



Cantilever Brackets

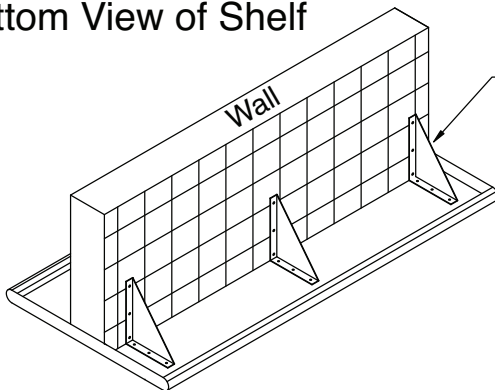
Bottom View of Shelf



3" x 4" L shape Mounting Bracket  
Supplied with 18" Shelf

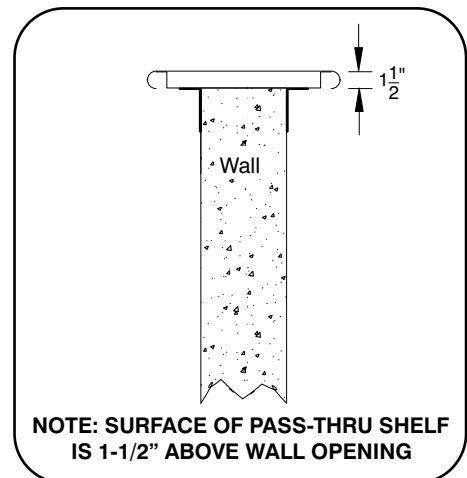
"L" Bracket Detail

Bottom View of Shelf



5" x 7" Cantilever Mounting Bracket  
Supplied with 24" Shelf

Cantilever Bracket Detail



NOTE: SURFACE OF PASS-THRU SHELF  
IS 1-1/2" ABOVE WALL OPENING

