

# SINK DRAINS & ACCESSORIES

**Twist Handle Operated Drain**



**K-5**

**Twist Handle Operated Drain With Overflow**



**K-15**

**Lever Operated Drains For Hand Sinks**



**K-26**

**K-67**

**SPEC-LINE Twist Handle Operated Drain  
All Stainless Steel**



**K-40**

**3-1/2" Basket Drain**



**K-6**

**2" Basket Drain**



**K-63**

**Replacement Drain Basket For K-6**



**K-310**

**Twist Drain Support Bracket**



**K-4**

**Replacement Strainer  
For 3-1/2" Drains**



**K-410**

**Replacement Strainer  
For 2" Drains**

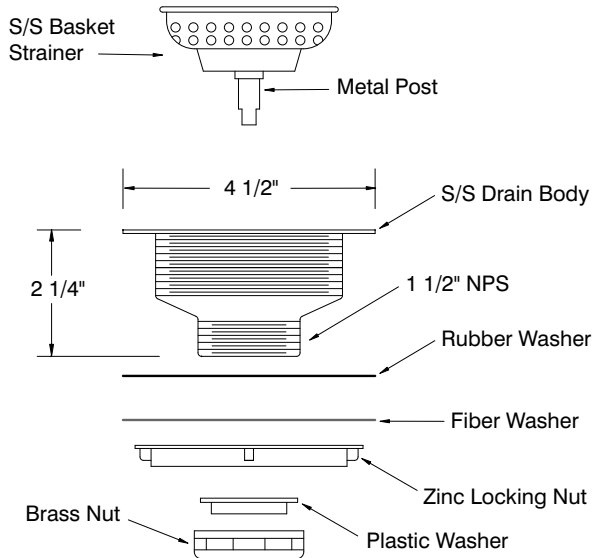


**K-411**

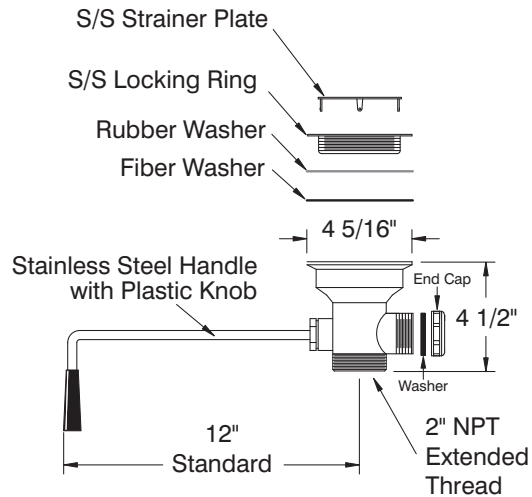
# DIMENSIONS and SPECIFICATIONS

TOL ± .125"

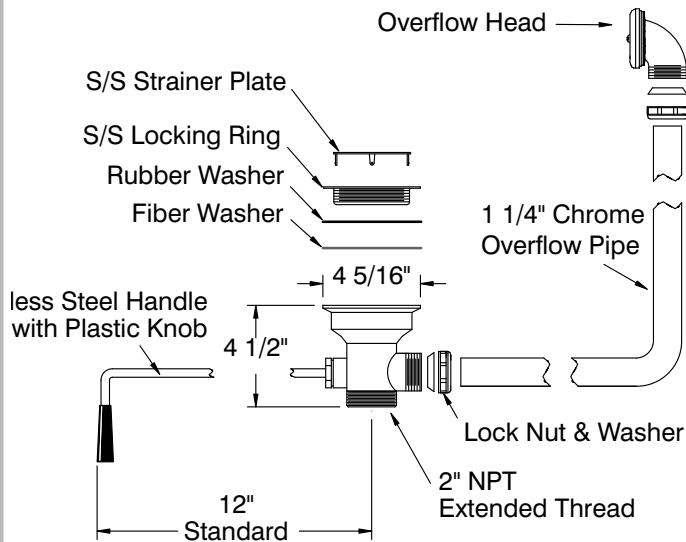
ALL DIMENSIONS ARE TYPICAL



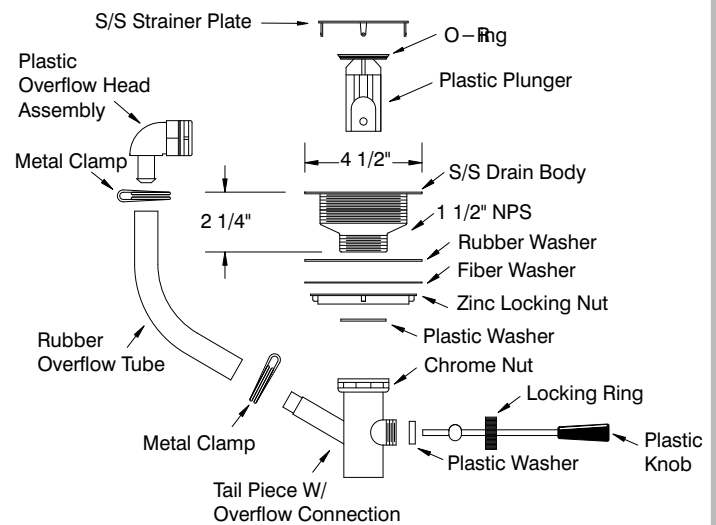
K-6



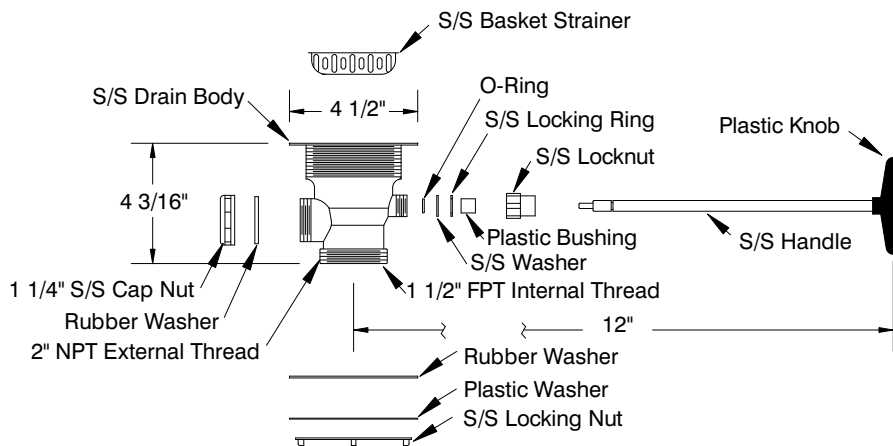
K-5



K-15



K-26 & K-67 For Hand Sinks (K-67 Excludes Overflow)



K-40



ADVANCE TABCO is constantly engaged in a program of improving our products. Therefore, we reserve the right to change specifications without prior notice.