



STAINLESS STEEL
WORK TABLES

SPEC-LINE Series - Flat Top - OPEN BASE Style



Item #: _____ **Qty #:** _____
Model #: _____
Project #: _____

FEATURES:

Top is furnished with a 2" x 1" square die embossed NO-DRIP countertop edge with a 1/2" return on 4 sides.

To reinforce and maintain a level working surface, 24" wide tables are supplied with TWO hat channels and 30" and 36" wide tables are supplied with THREE hat channels.

Pre-engineered welded angle adapters insure ease of future drawer installation.

Front to back Stretchers are welded to legs. Left to right Stretcher bolted to legs and requires assembly.

CONSTRUCTION:

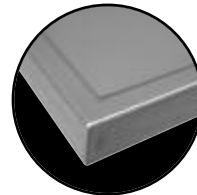
All TIG welded. Exposed weld areas polished to match adjacent surfaces.

Entire top mechanically polished to a satin finish.

Top is sound deadened.

Roll formed embossed galvanized hat channels are secured to top by means of structural adhesive and weld studs.

Gussets welded to support hat sections.



No-Drip DIE FORMED EDGE offers the Ultimate in Design & Function.



1-5/8" LEG STRETCHERS Ensure Stability

MATERIAL:

TVSS-SERIES: Stainless Steel Legs - Open Base

TOP: 14 gauge stainless steel type "304" series.

STRETCHERS: 1 5/8" dia. tubular stainless steel.

LEGS: 1 5/8" diameter tubular, 16 gauge stainless steel type "304" series.

1" adjustable **stainless steel** bullet feet.

Stainless steel gussets.

TVLG-SERIES: Galvanized Legs - Open Base

TOP: 14 gauge stainless steel type "304" series.

STRETCHERS: 1 5/8" dia. tubular galvanized steel.

LEGS: 1 5/8" diameter tubular galvanized steel.

1" adjustable plastic bullet feet.

Galvanized steel gussets.

**TVSS-Series:
Stainless Steel Legs & Stretchers**

L	24" Wide	30" Wide	36" Wide
30"	TVSS-240	TVSS-300	
24"	TVSS-242	TVSS-302	
36"	TVSS-243	TVSS-303	TVSS-363
48"	TVSS-244	TVSS-304	TVSS-364
60"	TVSS-245	TVSS-305	TVSS-365
72"	TVSS-246	TVSS-306	TVSS-366
84"	TVSS-247	TVSS-307	TVSS-367
96"	TVSS-248	TVSS-308	TVSS-368
108"	TVSS-249	TVSS-309	TVSS-369
120"	TVSS-2410	TVSS-3010	TVSS-3610
132"	TVSS-2411	TVSS-3011	TVSS-3611
144"	TVSS-2412	TVSS-3012	TVSS-3612



**TVLG-Series:
Galvanized Steel Legs & Stretchers**

L	24" Wide	30" Wide	36" Wide
30"	TVLG-240	TVLG-300	
24"	TVLG-242	TVLG-302	
36"	TVLG-243	TVLG-303	TVLG-363
48"	TVLG-244	TVLG-304	TVLG-364
60"	TVLG-245	TVLG-305	TVLG-365
72"	TVLG-246	TVLG-306	TVLG-366
84"	TVLG-247	TVLG-307	TVLG-367
96"	TVLG-248	TVLG-308	TVLG-368
108"	TVLG-249	TVLG-309	TVLG-369
120"	TVLG-2410	TVLG-3010	TVLG-3610
132"	TVLG-2411	TVLG-3011	TVLG-3611
144"	TVLG-2412	TVLG-3012	TVLG-3612

Create Your Own Efficient Workstation with the Available Standard Accessories (Visit Section K)



Customer Service Available To Assist You 1-800-645-3166 8:30 am - 8:00 pm E.S.T.
 Email Orders To: customer@advancetabco.com. For Smart Fabrication™ Quotes, Email To: smartfab@advancetabco.com or Fax To: 631-586-2933

NEW YORK
 Fax: (631) 242-6900

GEORGIA
 Fax: (770) 775-5625

TEXAS
 Fax: (972) 932-4795

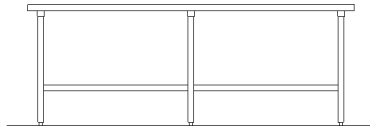
NEVADA
 Fax: (775) 972-1578

DIMENSIONS and SPECIFICATIONS

ALL DIMENSIONS ARE TYPICAL TOL ± .500"

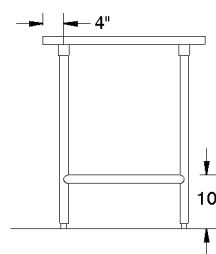
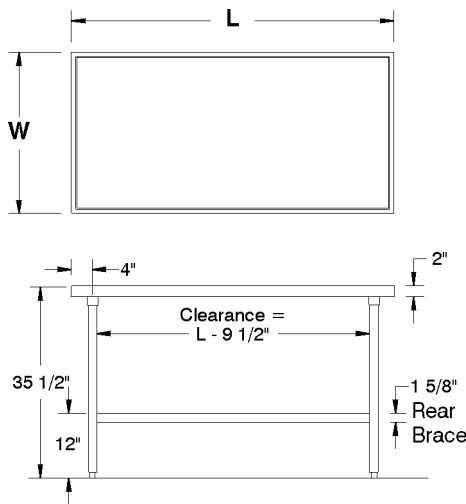
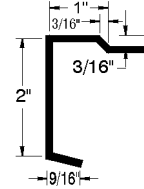
All Units Shipped Unassembled (KD) for Reduced Shipping Costs.

TVSS & TVLG Series OPEN BASE Style FLAT TOP



Units 8 ft. and larger are furnished with six (6) legs

COUNTERTOP EDGE DETAIL



TVSS-Series: Stainless Steel Legs & Stretches

L	24" Wide	Wt.	30" Wide	Wt.	36" Wide	Wt.
30"	TVSS-240	42 lbs.	TVSS-300	52 lbs.		
24"	TVSS-242	25 lbs.	TVSS-302	47 lbs.		
36"	TVSS-243	53 lbs.	TVSS-303	59 lbs.	TVSS-363	75 lbs.
48"	TVSS-244	64 lbs.	TVSS-304	72 lbs.	TVSS-364	85 lbs.
60"	TVSS-245	74 lbs.	TVSS-305	85 lbs.	TVSS-365	96 lbs.
72"	TVSS-246	85 lbs.	TVSS-306	93 lbs.	TVSS-366	108 lbs.
84"	TVSS-247	103 lbs.	TVSS-307	113 lbs.	TVSS-367	127 lbs.
96"	TVSS-248	114 lbs.	TVSS-308	126 lbs.	TVSS-368	140 lbs.
108"	TVSS-249	130 lbs.	TVSS-309	150 lbs.	TVSS-369	165 lbs.
120"	TVSS-2410	227 lbs.	TVSS-3010	261 lbs.	TVSS-3610	261 lbs.
132"	TVSS-2411	251 lbs.	TVSS-3011	268 lbs.	TVSS-3611	290 lbs.
144"	TVSS-2412	266 lbs.	TVSS-3012	283 lbs.	TVSS-3612	305 lbs.

TVLG-Series: Galvanized Steel Legs & Stretches

L	24" Wide	Wt.	30" Wide	Wt.	36" Wide	Wt.
30"	TVLG-240	42 lbs.	TVLG-300	52 lbs.		
24"	TVLG-242	25 lbs.	TVLG-302	47 lbs.		
36"	TVLG-243	53 lbs.	TVLG-303	59 lbs.	TVLG-363	75 lbs.
48"	TVLG-244	64 lbs.	TVLG-304	72 lbs.	TVLG-364	85 lbs.
60"	TVLG-245	74 lbs.	TVLG-305	85 lbs.	TVLG-365	96 lbs.
72"	TVLG-246	85 lbs.	TVLG-306	93 lbs.	TVLG-366	108 lbs.
84"	TVLG-247	103 lbs.	TVLG-307	113 lbs.	TVLG-367	127 lbs.
96"	TVLG-248	114 lbs.	TVLG-308	126 lbs.	TVLG-368	140 lbs.
108"	TVLG-249	130 lbs.	TVLG-309	150 lbs.	TVLG-369	165 lbs.
120"	TVLG-2410	227 lbs.	TVLG-3010	261 lbs.	TVLG-3610	261 lbs.
132"	TVLG-2411	251 lbs.	TVLG-3011	268 lbs.	TVLG-3611	290 lbs.
144"	TVLG-2412	266 lbs.	TVLG-3012	283 lbs.	TVLG-3612	305 lbs.

