



STAINLESS STEEL
REGALINE SINKS
 Three Compartments - One Drainboard

(Specify Drainboard Location)



"940" Series shown

Item #: _____ **Qty #:** _____
Model #: _____
Project #: _____

FEATURES:

Tile edge for ease of installation.
 One piece **Deep Drawn** sink bowls with integral drainboards with splash.
 Featuring the single bowl unit design.
 All sink bowls have a large liberal 3" radius.
 Placement of the welded leg assembly ensures stability and furnishes direct support of the column load requirement for the entire sink unit.
 "940" series is supplied with adjustable front and rear cross brace.

CONSTRUCTION:

All TIG welded.
 Welded areas blended to match adjacent surfaces and to a satin finish.
 Gussets welded to a die-embossed reinforcing channel.

Spec-Line: 940 Series - 11" High Splash.
Standard: 930 Series - 8" Splash.
Super Saver: 900 Series - 8" Splash.

MATERIAL:

940 Series: 14 gauge type 304 stainless steel.
930 Series: 16 gauge type 304 stainless steel.
900 Series: 18 gauge type 304 stainless steel.

- LEGS:**
- 1 5/8" diameter tubular stainless steel.
 - Stainless steel gussets & channels.
 - Stainless Steel 1" adjustable bullet feet.

YES! It's SeaLess!

BOWL SIZE	SPEC-LINE 940 Series				STANDARD 930 Series		SUPER SAVER 900 Series		Cubic Feet		
	O.A. LENGTH		DRBD. SIZE		14 Ga. 304 S/S		16 Ga. 304 S/S				
	(inches)	(mm)	(inches)	(mm)	14" Water Level		12" Water Level				
				MODEL #	Approx. Wt. (lbs.)	MODEL #	Approx. Wt. (lbs.)	MODEL #	Approx. Wt. (lbs.)		
16 x 20 (406 x 508)	77"	1956	18"	457	94-3-54-18R or L	214	93-3-54-18R or L	173	9-3-54-18R or L	167	42
	83"	2108	24"	610	94-3-54-24R or L	222	93-3-54-24R or L	188	9-3-54-24R or L	177	45
	95"	2413	*36"	914	94-3-54-36R or L	243	93-3-54-36R or L	220	9-3-54-36R or L	190	51
20 x 20 (508 x 508)	89"	2261	18"	457	94-23-60-18R or L	234	93-23-60-18R or L	207	9-23-60-18R or L	184	52
	95"	2413	24"	610	94-23-60-24R or L	245	93-23-60-24R or L	205	9-23-60-24R or L	193	55
	107"	2718	*36"	914	94-23-60-36R or L	252	93-23-60-36R or L	216	9-23-60-36R or L	208	60
18 x 24 (457 x 610)	83"	2092	18"	457	94-63-54-18R or L	296	93-63-54-18R or L	271	9-63-54-18R or L	255	54
	89"	2245	24"	610	94-63-54-24R or L	308	93-63-54-24R or L	281	9-63-54-24R or L	269	58
	101"	2550	*36"	914	94-63-54-36R or L	318	93-63-54-36R or L	300	9-63-54-36R or L	287	65
24 x 24 (610 x 610)	†107"	2718	24"	610	94-43-72-24R or L	342	93-43-72-24R or L	312	9-43-72-24R or L	298	68
	†119"	3023	*36"	914	94-43-72-36R or L	365	93-43-72-36R or L	339	9-43-72-36R or L	320	96
20 x 28 (508 x 711)	89"	2261	18"	457	94-83-60-18R or L	281	93-83-60-18R or L	232	9-83-60-18R or L	225	79
	95"	2413	24"	610	94-83-60-24R or L	296	93-83-60-24R or L	273	9-83-60-24R or L	268	86
	107"	2718	*36"	914	94-83-60-36R or L	308	93-83-60-36R or L	287	9-83-60-36R or L	277	89
† Requires Two Faucets					14" Water Level		12" Water Level		12" Water Level		
* Regalines with 36" Drainboards are Supplied with Two Sets of Legs for Support.					17" Flood Level		15" Flood Level		15" Flood Level		



Customer Service Available To Assist You **1-800-645-3166** 8:30 am - 8:00 pm E.S.T.
 Email Orders To: customer@advancetabco.com. For Smart Fabrication™ Quotes, Email To: smartfab@advancetabco.com or Fax To: 631-586-2933

NEW YORK
 Fax: (631) 242-6900

GEORGIA
 Fax: (770) 775-5625

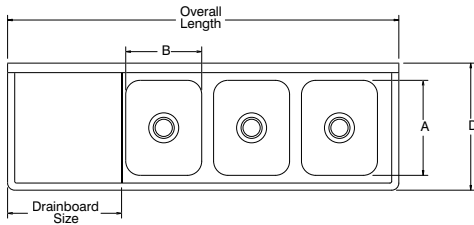
TEXAS
 Fax: (972) 932-4795

NEVADA
 Fax: (775) 972-1578

DIMENSIONS and SPECIFICATIONS

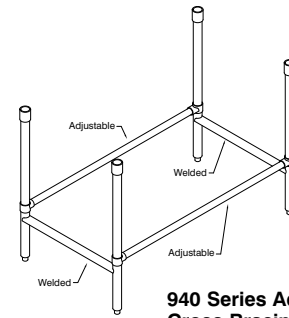
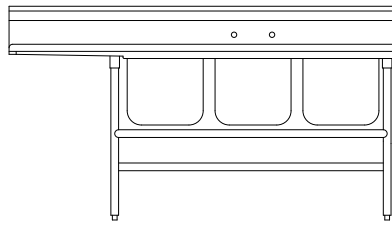
TOL Overall: ± .500"
Interior: ± .250"

ALL DIMENSIONS ARE TYPICAL



(Left hand Drainboard Shown)

(SPECIFY DRAINBOARD LOCATION)



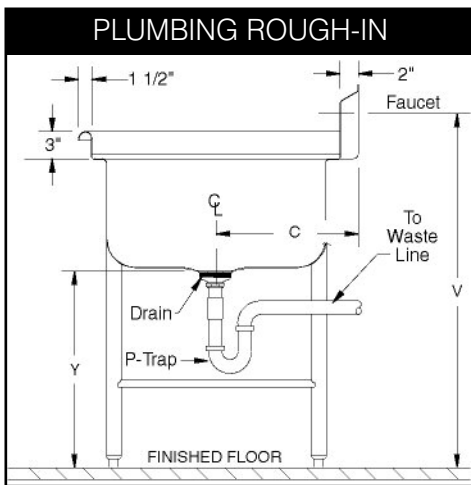
940 Series Adjustable Cross Bracing

DESCRIPTION

BOWL (SIZE)	Overall Length	DRBD (SIZE)	Recommended Use	A	B	C	D	940 SERIES					900 & 930 SERIES				
								V	W	X	Y	Z	V	W	X	Y	Z
16x20	77"	18"	DISH SINKS	20"	16"	13 5/8"	27"	38"	11"	14"	20"	45"	38"	8"	12"	22"	42"
	83"	24"															
	95"	*36"															
20x20	89"	18"	DISH & POT SINKS	20"	20"	13 5/8"	27"	38"	11"	14"	20"	45"	38"	8"	12"	22"	42"
	95"	24"															
	107"	*36"															
18x24	83"	18"	POT & PAN SINKS	24"	18"	15 5/8"	31"	38"	11"	14"	20"	45"	38"	8"	12"	22"	42"
	89"	24"															
	101"	*36"															
24x24	107"	24"	POT SINKS	24"	24"	15 5/8"	31"	38"	11"	14"	20"	45"	38"	8"	12"	22"	42"
	119"	*36"															
20x28	89"	18"	PAN SINKS	28"	20"	17 5/8"	35"	38"	11"	14"	20"	45"	38"	8"	12"	22"	42"
	95"	24"															
	107"	*36"															

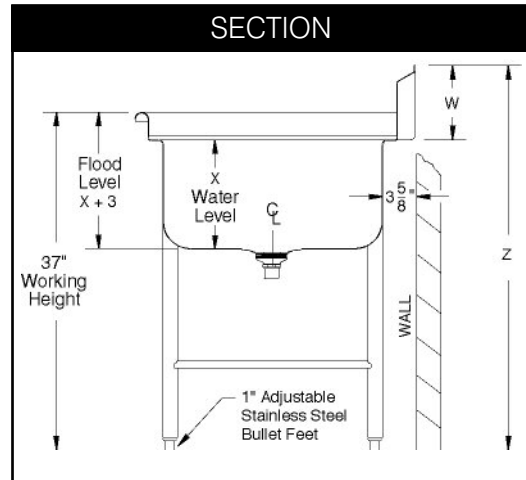
† Requires Two Faucets.

* Regalines with 36" Drainboards are Supplied with Two Sets of Legs for Support.



MECHANICAL:

- Supply is 1/2" IPS hot & cold.
- Faucet holes on 8" centers.
- Faucets are not included (see accessories).
- Waste drains are 1 1/2" IPS S/S basket type, located in center of sink bowl, and are included.





STAINLESS STEEL

REGALINE SINKS

Three Compartments - Two Drainboards



Item #: _____ Qty #: _____
 Model #: _____
 Project #: _____

FEATURES:

Tile edge for ease of installation.
 One piece **Deep Drawn** sink bowls with integral drainboards with splash.
 Featuring the single bowl unit design.
 All sink bowls have a large liberal 3" radius.
 Placement of the welded leg assembly ensures stability and furnishes direct support of the column load requirement for the entire sink unit.
 "940" series is supplied with adjustable front and rear cross brace.

CONSTRUCTION:

All TIG welded.
 Welded areas blended to match adjacent surfaces and to a satin finish.
 Gussets welded to a die-embossed reinforcing channel.

Spec-Line: 940 Series - 11" High Splash.
Standard: 930 Series - 8" Splash.
Super Saver: 900 Series - 8" Splash.

MATERIAL:

940 Series: 14 gauge type 304 stainless steel.
930 Series: 16 gauge type 304 stainless steel.
900 Series: 18 gauge type 304 stainless steel.

- LEGS:**
- 1 5/8" diameter tubular stainless steel.
 - Stainless steel gussets & channels.
 - Stainless Steel 1" adjustable bullet feet.

YES! It's SeaLess!

BOWL SIZE	SPEC-LINE 940 Series				STANDARD 930 Series				SUPER SAVER 900 Series				Cubic Feet	
	O.A. LENGTH		DRBD. SIZE		14 Ga. 304 S/S		16 Ga. 304 S/S		18 Ga. 304 S/S		Approx. Wt. (lbs.)	Approx. Wt. (lbs.)		Approx. Wt. (lbs.)
	(inches)	(mm)	(inches)	(mm)	14" Water Level		12" Water Level		12" Water Level					
16 x 20 (406 x 508)	91"	2311	18"	457	94-3-54-18RL	230	93-3-54-18RL	189	9-3-54-18RL	182	49			
	103"	2616	24"	610	94-3-54-24RL	248	93-3-54-24RL	197	9-3-54-24RL	190	55			
	127"	3226	*36"	914	94-3-54-36RL	275	93-3-54-36RL	239	9-3-54-36RL	208	96			
20 x 20 (508 x 508)	103"	2616	18"	457	94-23-60-18RL	248	93-23-60-18RL	203	9-23-60-18RL	198	59			
	115"	2921	24"	610	94-23-60-24RL	276	93-23-60-24RL	220	9-23-60-24RL	195	65			
	139"	3531	*36"	914	94-23-60-36RL	408	93-23-60-36RL	387	9-23-60-36RL	364	89			
18 x 24 (457 x 610)	97"	2457	18"	457	94-63-54-18RL	323	93-63-54-18RL	289	9-63-54-18RL	226	62			
	109"	2762	24"	610	94-63-54-24RL	334	93-63-54-24RL	304	9-63-54-24RL	233	85			
	133"	3372	*36"	914	94-63-54-36RL	418	93-63-54-36RL	367	9-63-54-36RL	325	96			
24 x 24 (610 x 610)	†127"	3226	24"	610	94-43-72-24RL	390	93-43-72-24RL	331	9-43-72-24RL	318	98			
	†151"	3835	*36"	914	94-43-72-36RL	448	93-43-72-36RL	393	9-43-72-36RL	345	110			
20 x 28 (508 x 711)	103"	2616	18"	457	94-83-60-18RL	358	93-83-60-18RL	315	9-83-60-18RL	277	83			
	115"	2921	24"	610	94-83-60-24RL	394	93-83-60-24RL	346	9-83-60-24RL	305	95			
	139"	3531	*36"	914	94-83-60-36RL	451	93-83-60-36RL	398	9-83-60-36RL	350	109			
† Requires Two Faucets					14" Water Level		12" Water Level		12" Water Level					
* Regalines with 36" Drainboards are Supplied with Two Sets of Legs for Support.					17" Flood Level		15" Flood Level		15" Flood Level					



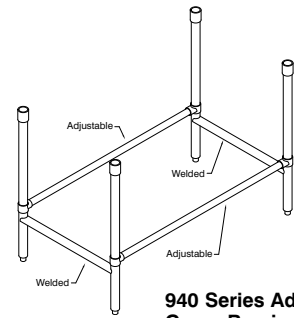
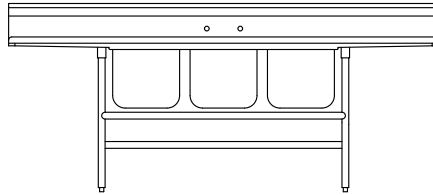
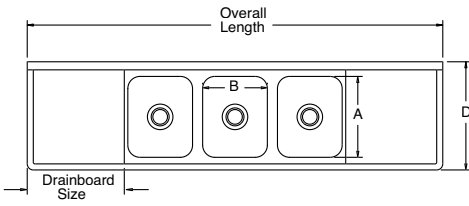
Customer Service Available To Assist You **1-800-645-3166** 8:30 am - 8:00 pm E.S.T.
 Email Orders To: customer@advancetabco.com. For Smart Fabrication™ Quotes, Email To: smartfab@advancetabco.com or Fax To: 631-586-2933

NEW YORK Fax: (631) 242-6900 **GEORGIA** Fax: (770) 775-5625 **TEXAS** Fax: (972) 932-4795 **NEVADA** Fax: (775) 972-1578

DIMENSIONS and SPECIFICATIONS

TOL Overall: ± .500"
Interior: ± .250"

ALL DIMENSIONS ARE TYPICAL



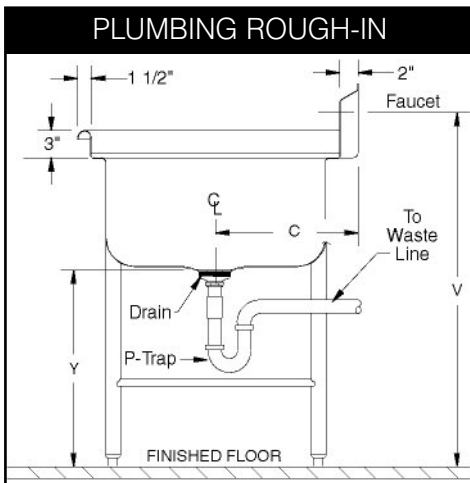
940 Series Adjustable Cross Bracing

DESCRIPTION

BOWL (SIZE)	Overall Length	DRBD (SIZE)	Recommended Use	A	B	C	D	940 SERIES					900 & 930 SERIES					
								V	W	X	Y	Z	V	W	X	Y	Z	
16x20	91"	18"	DISH SINKS	20"	16"	13 5/8"	27"	38"	11"	14"	20"	45"	38"	8"	12"	22"	42"	
	103"	24"																*36"
20x20	103"	18"	DISH & POT SINKS	20"	20"	13 5/8"	27"	38"	11"	14"	20"	45"	38"	8"	12"	22"	42"	
	115"	24"																*36"
	139"	*36"																
18x24	97"	18"	POT & PAN SINKS	24"	18"	15 5/8"	31"	38"	11"	14"	20"	45"	38"	8"	12"	22"	42"	
	109"	24"																*36"
	133"	*36"																
24x24	127"	24"	POT SINKS	24"	24"	15 5/8"	31"	38"	11"	14"	20"	45"	38"	8"	12"	22"	42"	
	151"	*36"																
20x28	103"	18"	PAN SINKS	28"	20"	17 5/8"	35"	38"	11"	14"	20"	45"	38"	8"	12"	22"	42"	
	115"	24"																*36"
	139"	*36"																

† Requires Two Faucets

* Regalines with 36" Drainboards are Supplied with Two Sets of Legs for Support.



MECHANICAL:

- Supply is 1/2" IPS hot & cold.
- Faucet holes on 8" centers.
- Faucets are not included (see accessories).
- Waste drains are 1 1/2" IPS S/S basket type, located in center of sink bowl, and are included.

