

FABRICATED MOBILE SINKS & SILVER SOAK SINKS



Fabricated Bowls
are Welded Together
at the Seams

Item #: _____ *Qty #:* _____

Model #: _____

Project #: _____

MOBILE SINKS



9-FMS-20 (8" deep)
9-FMS-12 (12" deep)

**A Multi-Purpose Unit.
Move it where the ACTION is!
A Must for the large food
preparation type of installation.**

SILVER SOAK SINKS



9-FSS-20 (8" deep)

**UNIVERSAL BOWL SIZE.
ACCOMMODATES 19 3/4" X 19 3/4"
DISHWASHER BASKETS**

SILVER SOAK SINKS WITH DETACHABLE CHUTE



9-FSC-20 (8" deep)

**Required for the scullery
operation that promotes
clean sanitary flatware.**

FEATURES:

Top sink rim is furnished with a 2" x 1" square edge.

CONSTRUCTION:

All TIG welded.

Welded areas blended to match adjacent surfaces
and to a satin finish.

MECHANICAL:

Waste drain is 2" I.P.S. Twist handle lever operation.

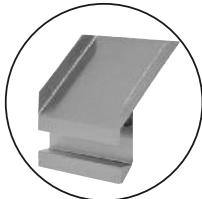
Tail-piece is chrome plated 4" long.

Casters: 4 swivels - each wheel is 5" x 1", each rated
at 125 lbs. - two casters furnished with brakes.

MATERIAL:

Heavy gauge type "304" stainless steel.

Legs are stainless steel tubing.



**Optional Chute
9-SS-1**



**Optional Bumpers
9-SS-2**

ACCESSORIES	Model #	Qty
CHUTE	9-SS-1	
BUMPERS (Set of 4)	9-SS-2	

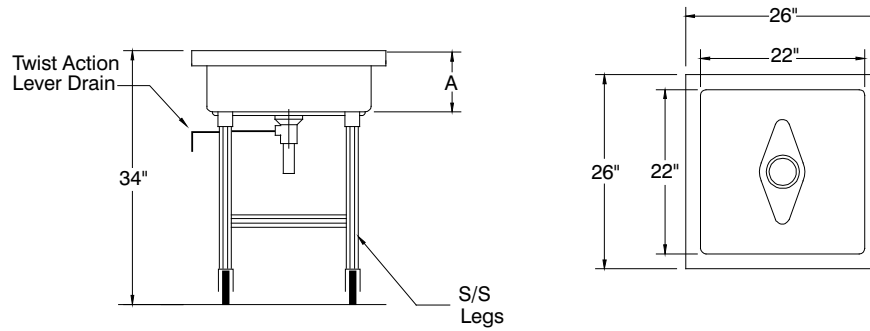
DIMENSIONS and SPECIFICATIONS

TOL Overall: $\pm .500"$
 Interior: $\pm .250"$

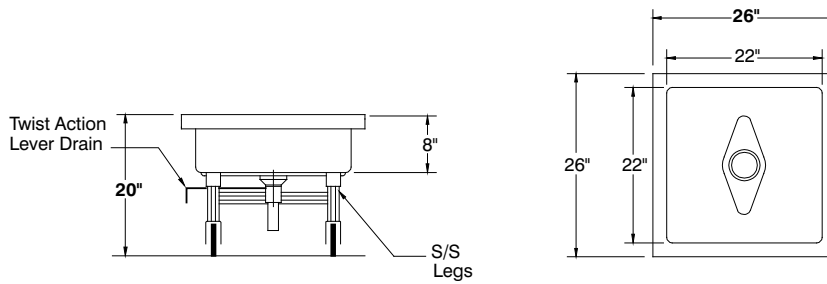
ALL DIMENSIONS ARE TYPICAL

MOBILE SINK

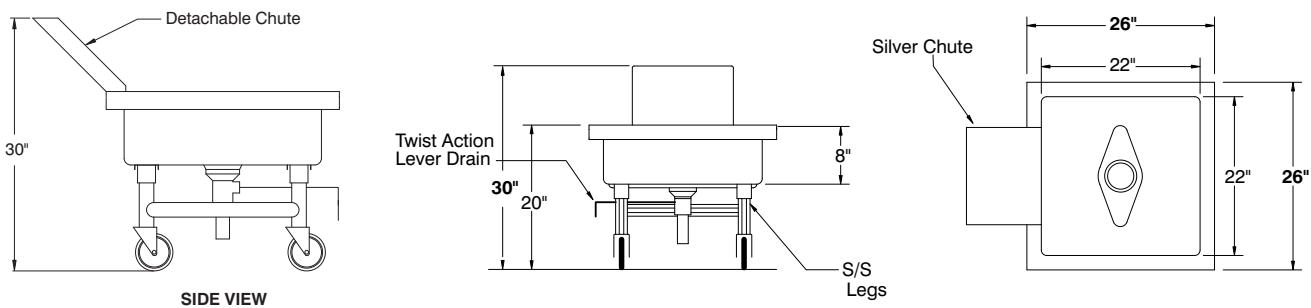
Model #	A
9-FMS-20	8"
9-FMS-12	12"



9-FSS-20 SILVER SOAK SINK



9-FSC-20 SILVER SOAK SINK WITH DETACHABLE CHUTE



ADVANCE TABCO is constantly engaged in a program of improving our products. Therefore, we reserve the right to change specifications without prior notice.