



STAINLESS STEEL
DROP-IN SINKS

Two Compartments - FOR GENERAL PURPOSE USE

NSF NOTE: Multi-Compartment Drop-In Sinks ARE NSF Approved when used in Mobile Food Carts and Kiosks only.

Item #: _____ Qty #: _____
 Model #: _____
 Project #: _____

FEATURES:

One piece seamless **Deep Drawn** sink bowl design.
 All sink bowls have a large liberal radii with a minimum dimension of 2" and are rectangular in design for increased capacity.
 Self-Rim Design. Mounting clips provided accomodate all thicknesses of counter. (Quantity supplied varies based on drop in sink ordered).
 Includes 4" O.C. **K-50** faucet & basket drain.

CONSTRUCTION:

Bowls fabricated from one sheet of stainless steel.
 All bowls are Sound Deadened.
 Units feature Advance Tabco's **Smart Finish™**.

MECHANICAL:

Faucet supply is 1/2" IPS male thread.
 Deck mounted faucets are furnished with aerator.

MATERIAL:

18 gauge type 304 series stainless steel.
 Faucets are brass-nickel plated.
 Stainless Steel 1-1/2" IPS basket drain.



DI-2-10



DI-2-2012



DI-2-1410



DI-2-208



STANDARD MOUNTING CLIPS
 For countertops over 7/8" and up to 2" thick.
 Replacement # **K-28** (Per Sink)

| Available Faucets & Accessories | Model # | Qty |
|--|-------------|-----|
| Deck Mounted 8" Swing Spout. 4" O.C. | K-50 | |
| Deck Mounted 12" Swing Spout. 4" O.C. | K-53 | |
| Deck Mounted 8 1/2" Gooseneck. 4" O.C. | K-55 | |
| Deck Mounted Swing w/Spray. 8" O.C.* | K-58 | |
| Mounting Clips (Bag of 4). | K-28 | |

*REQUIRES **K-472** FAUCET HOLE REVISION

**Standard Faucet conforms to NSF 61 Standard 9.
 Faucets Are AB1953 Lead Free Compliant.**

For Replacement Faucets & Upgrades, Drains & Accessories visit our website at www.advancetabco.com



Customer Service Available To Assist You 1-800-645-3166 8:30 am - 8:00 pm E.S.T.
 Email Orders To: customer@advancetabco.com. For Smart Fabrication™ Quotes, Email To: smartfab@advancetabco.com or Fax To: 631-586-2933

NEW YORK
 Fax: (631) 242-6900

GEORGIA
 Fax: (770) 775-5625

TEXAS
 Fax: (972) 932-4795

NEVADA
 Fax: (775) 972-1578

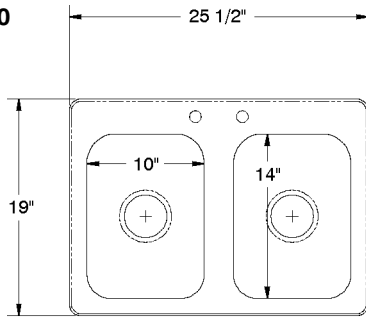
DIMENSIONS and SPECIFICATIONS

TOL ± .125"

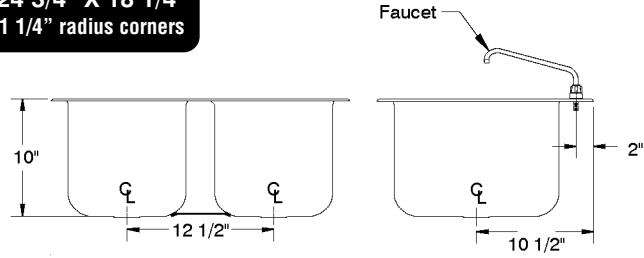
Supplied with K-50 Faucet & K-6 Basket Drain

ALL DIMENSIONS ARE TYPICAL

DI-2-10

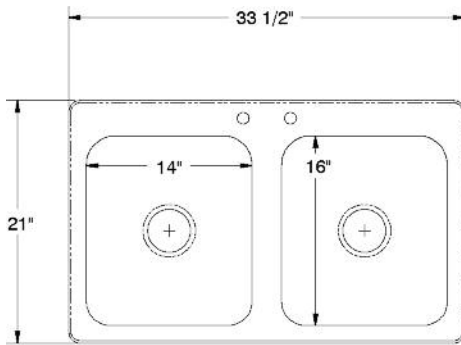


Cut-Out Size
24 3/4" X 18 1/4"
1 1/4" radius corners

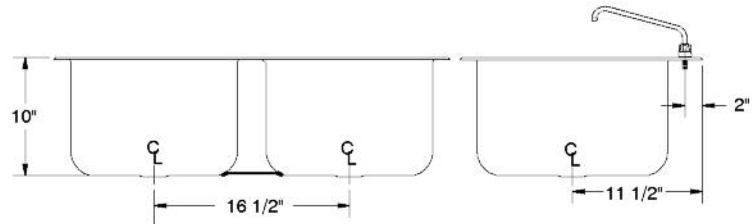


Approx. Wt. 26 lbs.

DI-2-1410



Cut-Out Size
32 3/4" X 20 1/4"
1 1/4" radius corners

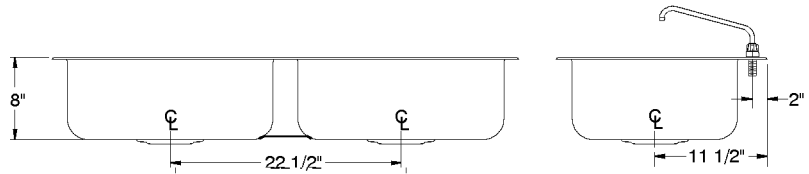
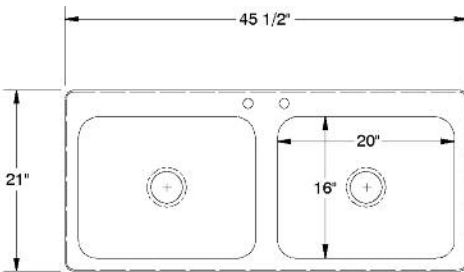


Approx. Wt. 35 lbs.

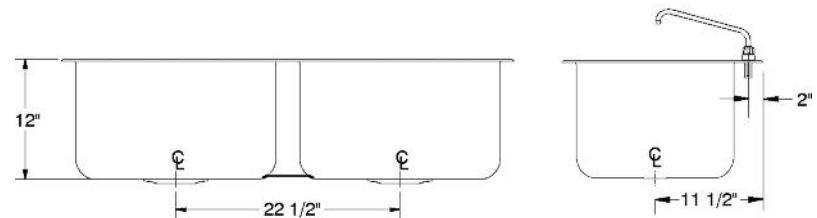
DI-2-208 & DI-2-2012

Cut-Out Size
44 3/4" X 20 1/4"
1 1/4" radius corners

TOP VIEW



Approx. Wt. 38 lbs.



Approx. Wt. 42 lbs.

TYPICAL INSTALLATION

Cut-Out Size = L to R x F to B

Standard Mounting Clips Fit Countertops
Over 7/8" & Up To 2" Thick.

