



STAINLESS STEEL
FABRICATED CONVENIENCE STORE SINKS



3 Compartment Sink with
2 drainboards Shown

Item #: _____ **Qty #:** _____
Model #: _____
Project #: _____

Our Solution...to Your Limited Space Problem
In Six Feet or less...
you can WASH, RINSE & SANITIZE

FEATURES:

- Tile edge for ease of installation.
- 3 compartments, 2 drainboards with splash.
- stainless steel legs and cross-bracing.
- Placement of the welded leg assembly ensures stability and furnishes direct support of the column load requirement for the entire sink unit.

CONSTRUCTION:

- All TIG welded.
- Welded areas blended to match adjacent surfaces and to a satin finish.

MATERIAL:

- Unit is 18 gauge type "304" stainless steel.
- Legs are 1 5/8" diameter heavy gauge tubular stainless steel with stainless steel gussets.
- 1" adjustable stainless steel bullet feet.



Fabricated Bowls are Welded Together at the Seams

Bowl Size	Overall Length	# of Compart.	MODEL #
10x14	58"	3	K7-CS-21
	70"	3	K7-CS-22
14x16	70"	3	K7-CS-29
12x20	64"	3	K7-CS-32

ACCESSORIES	Model #	Qty
FAUCETS		

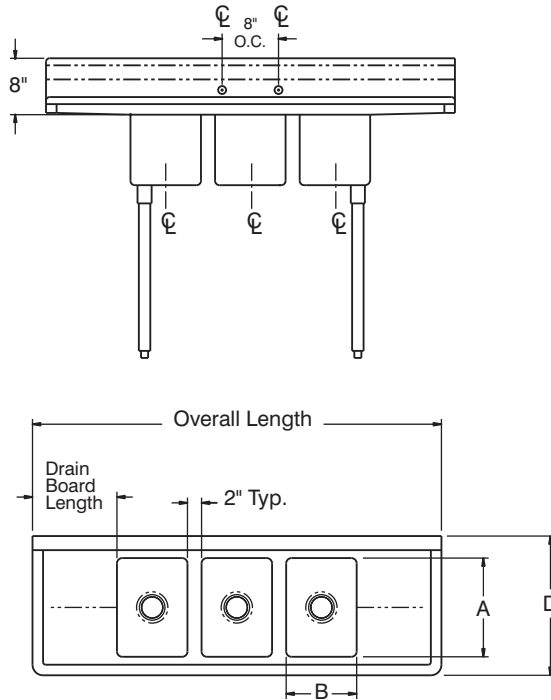
CORNER SINKS ALSO AVAILABLE. PLEASE SEE "KORNER SINKS" SPECIFICATION SHEET

 ADVANCE TABCO <small>SMART FABRICATION™</small> www.advancetabco.com	Customer Service Available To Assist You 1-800-645-3166 8:30 am - 8:00 pm E.S.T.		
	Email Orders To: customer@advancetabco.com . For Smart Fabrication™ Quotes, Email To: smartfab@advancetabco.com or Fax To: 631-586-2933		
NEW YORK Fax: (631) 242-6900	GEORGIA Fax: (770) 775-5625	TEXAS Fax: (972) 932-4795	NEVADA Fax: (775) 972-1578

DIMENSIONS and SPECIFICATIONS

TOL Overall: $\pm .500''$
 Interior: $\pm .250''$

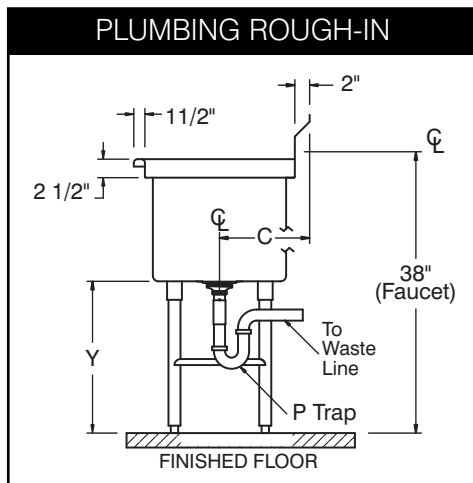
ALL DIMENSIONS ARE TYPICAL



3 Compartment Sink with 2 drainboards Shown

MODEL #	BOWL (SIZE)	Overall Length	Drainboard Length	WT** (lbs)	A	B	C	D	X	Y
K7-CS-21	10x14	58"	12"	85	14"	10"	10"	19 1/2"	10"	24"
K7-CS-22		70"	18"	100	14"	10"	10"	19 1/2"	10"	24"
K7-CS-29	14x16	70"	12"	135	16"	14"	11"	21 1/2"	12"	22"
K7-CS-32	12x20	64"	12"	110	20"	12"	13"	25 1/2"	12"	22"

** Approx. Shipping Weights



MECHANICAL:

- Supply is 1/2" IPS hot & cold.
- Faucet holes on 8" centers.
- Faucets are not included (see accessories).
- Waste drains are 1 1/2" IPS S/S basket type, located in center of sink bowl, and are included.

