



STAINLESS STEEL
**WALL MOUNTED
 SERVICE SINKS**

12" Deep Bowl



WSS-14-21



WSS-16-25

Item #: _____ *Qty #:* _____
Model #: _____
Project #: _____

**TUBULAR
 Wall Brackets**

FEATURES:

Heavy Duty square design stainless steel.
 Full 10" high backsplash.
 Tubular stainless steel brackets for extra vertical support.
 Stainless steel "Z" bracket.

CONSTRUCTION:

All TIG welded.
 Welded areas blended to match adjacent surfaces and to a satin finish.
 Die formed tubular wall bracket.

MECHANICAL:

Faucet holes are 8" O.C. (Faucet hole revisions available).
 Faucets not included (See accessories).
 Cast iron "P" trap not included (Supplied by others).
 3-1/2" stainless steel basket drain.

WSS-14-21: Sink bowl is 18"L x 14"W x 12"D.

WSS-16-25: Sink bowl is 22"L x 16"W x 12"D.

MATERIAL:

All 16 gauge type 304 series stainless steel.
 1-5/8" tubular stainless steel wall brackets.
 Stainless steel gussets.



K-240



K-101



K-121



K-175



7-PS-32



7-PS-39

Accessories	Model #	Qty
Service Faucet*	K-240	
8" Swing Spout Faucet	K-101	
Gooseneck Faucet	K-121	
Electronic Faucet	K-175	
Knee Valve Assembly	7-PS-32	
Foot Pedal Assembly	7-PS-39	

*Service Faucet (#K-240) is not lead free compliant.

**Standard Faucet conforms to NSF 61 Standard 9.
 Faucets Are AB1953 Lead Free Compliant.**

For Replacement Faucets & Upgrades, Drains & Accessories
 visit our website at www.advancetabco.com



Customer Service Available To Assist You 1-800-645-3166 8:30 am - 8:00 pm E.S.T.

Email Orders To: customer@advancetabco.com. For Smart Fabrication™ Quotes, Email To: smartfab@advancetabco.com or Fax To: 631-586-2933

NEW YORK
 Fax: (631) 242-6900

GEORGIA
 Fax: (770) 775-5625

TEXAS
 Fax: (972) 932-4795

NEVADA
 Fax: (775) 972-1578

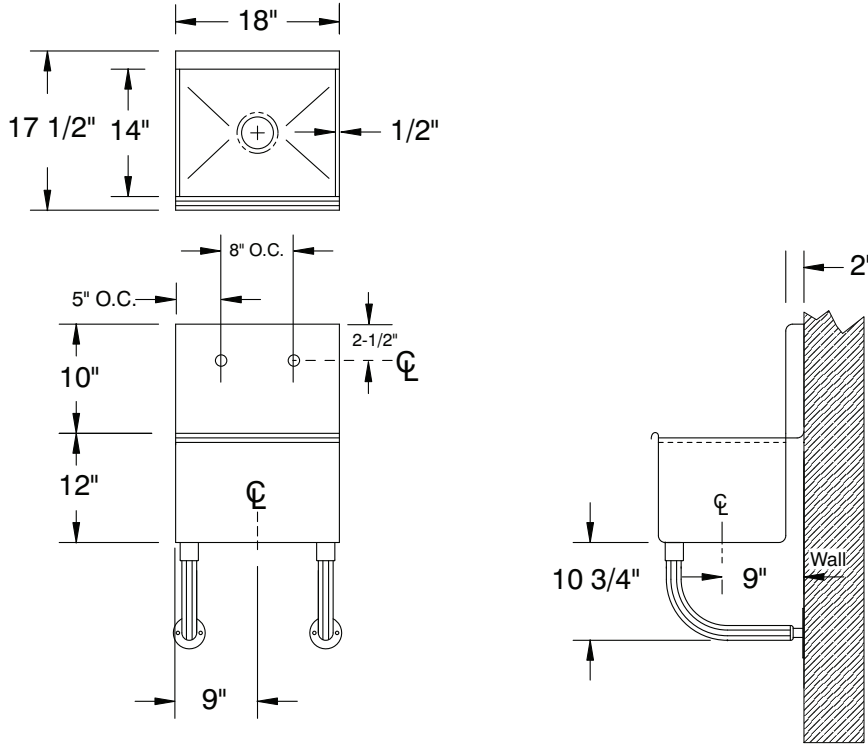
DIMENSIONS and SPECIFICATIONS

TOL $\pm .500''$

FITTINGS SUPPLIED AS SHOWN

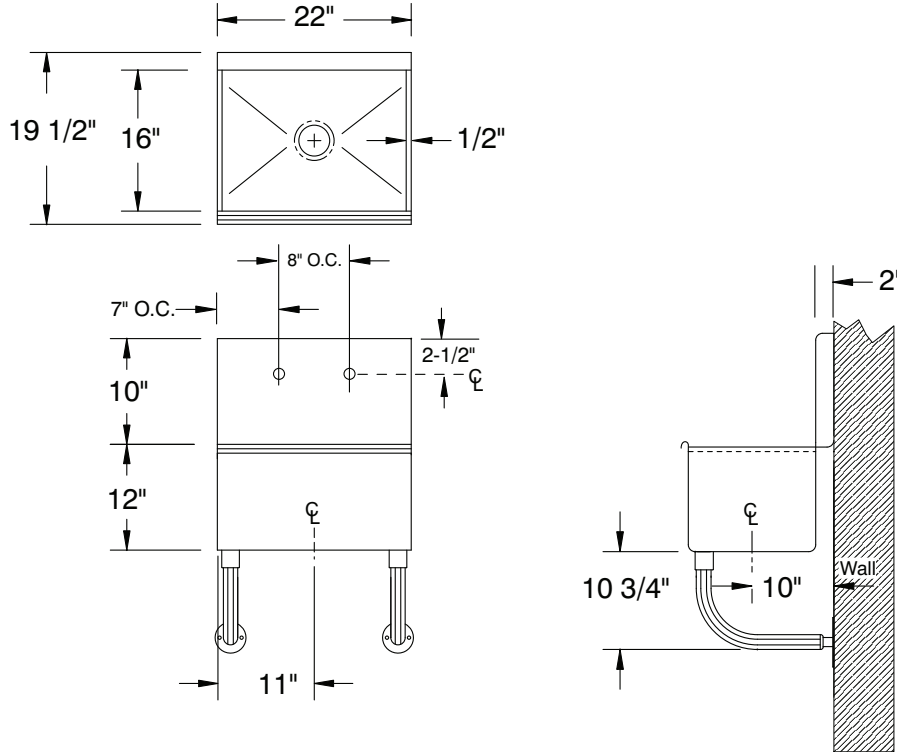
ALL DIMENSIONS ARE TYPICAL

WSS-14-21



45 lbs.

WSS-16-25



52 lbs.

