



STAINLESS STEEL
HAND SINKS
PEDESTAL BASE



7-PS-90



7-PS-95



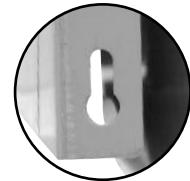
7-PS-99



7-PS-18

Item #: _____ **Qty #:** _____
Model #: _____
Project #: _____

Keyhole Bracket for easier installation and greater stability.



FEATURES:

- One piece **Deep Drawn** sink bowl design. Sink bowl is 10" x 14" x 5"*. (*7-PS-18 sink bowl is 14" x 16" x 6")
- All sink bowls have a large liberal radii with a minimum dimension of 2" and are rectangular in design for increased capacity.
- Keyhole wall mount bracket.
- Stainless steel basket drain 1-1/2" IPS.
- Flush-to-wall unit.
- "Hands Free" splash mounted gooseneck faucet furnished with aerator.
- Foot Pedal Valve for water operation.
- Easy removable panel to access hidden plumbing.

Specific Features:

- 7-PS-95** towel dispenser with hinged towel box. Unit uses standard C-fold towels. Liquid Soap dispenser.
- 7-PS-99** towel dispenser & soap dispenser plus trash receptacle & cabinet storage.

CONSTRUCTION:

- All TIG welded.
- Welded areas blended to match adjacent surfaces and to a satin finish.
- Die formed Countertop Edge with a No-Drip offset.
- One sheet of stainless steel - No Seams.

MATERIAL:

- Heavy gauge type 304 series stainless steel.
- Wall mounting bracket is galvanized and of offset design.
- All fittings are brass / chrome plated unless otherwise indicated.

MECHANICAL:

- Faucet supply is 1/2" IPS male thread hot and cold.
- Single pedal mixing valve with brass & rough chrome plated with built in check valve. Front operated temperature adjustment.
- (Contractor on site must connect faucet to foot pedal operated valves.)

**Standard Faucet conforms to NSF 61 Standard 9.
 Faucets Are AB1953 Lead Free Compliant.**

For Replacement Faucets & Upgrades, Drains & Accessories visit our website at www.advancetabco.com

NOW AVAILABLE
Tankless Electric Heater
 Only Needs Cold Water Supply
7-PS-92



Please See Tankless Heater Specification Sheet for Details



Customer Service Available To Assist You 1-800-645-3166 8:30 am - 8:00 pm E.S.T.
 Email Orders To: customer@advancetabco.com. For Smart Fabrication™ Quotes, Email To: smartfab@advancetabco.com or Fax To: 631-586-2933

NEW YORK
 Fax: (631) 242-6900

GEORGIA
 Fax: (770) 775-5625

TEXAS
 Fax: (972) 932-4795

NEVADA
 Fax: (775) 972-1578

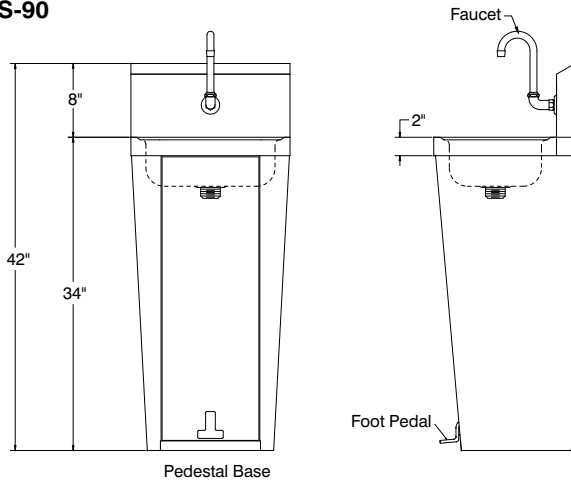
DIMENSIONS and SPECIFICATIONS

TOL Overall: ± .500" Interior: ± .250"

FITTINGS SUPPLIED AS SHOWN

ALL DIMENSIONS ARE TYPICAL

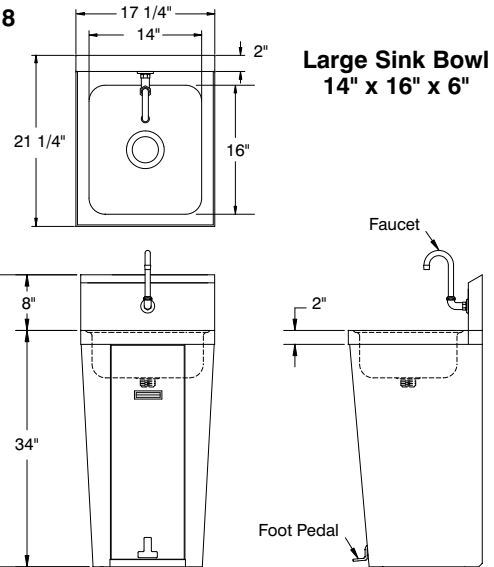
7-PS-90



41 lbs.

Pedestal Base

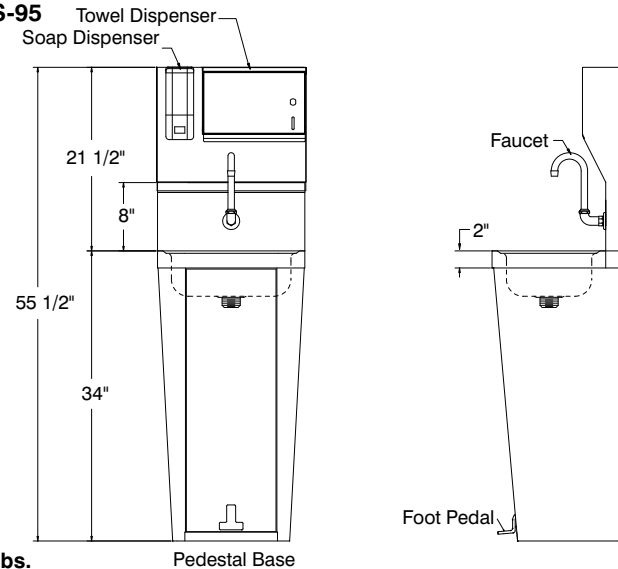
7-PS-18



50 lbs.

Foot Pedal

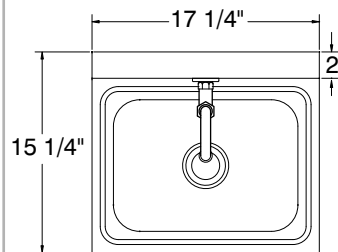
7-PS-95



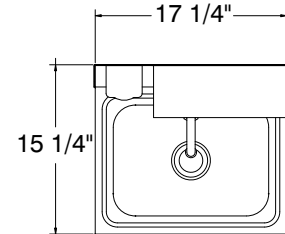
54 lbs.

Pedestal Base

TOP VIEW 7-PS-90

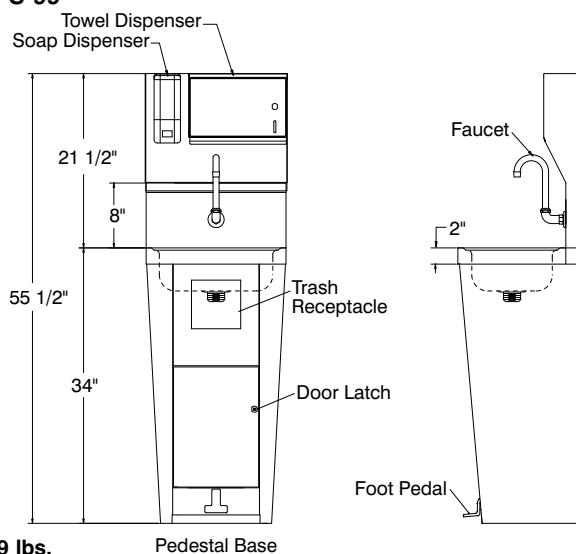


TOP VIEW 7-PS-95 & 7-PS-99



Sink Bowls 10" x 14" x 5"

7-PS-99



59 lbs.

Pedestal Base

REAR VIEW OF STANDARD PEDESTAL BASE UNITS

