



STAINLESS STEEL COUNTERTOP PREP TABLE



Item #: _____ **Qty #:** _____

Model #: _____

Project #: _____

Model #	Length	Weight
DL-30-72	72"	155 lbs.
DL-30-96	96"	198 lbs.



FEATURES:

Top is furnished with a 2" x 1" square die embossed No-Drip countertop offset edge with 1/2" return on 3 sides and a 10" splash with a 2" return on the rear side.

Aluminum die cast "leg to shelf" clamp secures shelf to leg eliminating unsightly nuts and bolts. Undershelf is adjustable. Stainless steel die-formed drawer front mounted on roller bearing slides.

Stainless steel drawer inset (15" x 20" x 5").

Stainless steel sinks integrally welded to top. (16" x 20" x 8") (16" x 20" x 4")

Shallow sink equipped with a stainless steel perforated drain basket.

MECHANICAL:

Gooseneck faucet with aerator (included).

Supply is 1/2" hot and cold with faucet holes on 4" centers.

Waste drain is stainless steel, 1 1/2" IPS and is basket type (included).

MATERIAL:

TOP is 14 gauge stainless steel type "304" series.

SHELF is 18 gauge stainless steel type "430" series.

LEGS are 1 5/8" diameter, tubular stainless steel with stainless steel gussets and 1" adjustable stainless steel bullet feet.

OTHER: Poly-Vance sliding cutting board 21" x 18" x 5/8" raised 1/4" above table surface.

CONSTRUCTION:

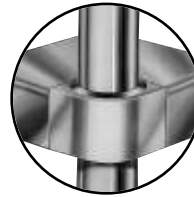
All TIG welded.

TOP and all exposed surfaces are mechanically polished to a satin finish and is sound deadened.

Countertop edge is polished to a MIRROR finish.

Roll formed embossed galvanized hat channels are secured to top by means of structural adhesive and weld studs.

Gussets welded to support hat channels.



Featuring as Standard:
"THE PROVEN"
ORIGINAL ADVANCE TABCO
**Adjustable Undershelf
with Die Cast Leg Clamp**



**BOLD-LOOKING
Extra Large 10"
Backsplash with
a 2" return**



Customer Service Available To Assist You 1-800-645-3166 8:30 am - 8:00 pm E.S.T.

Email Orders To: customer@advancetabco.com. For Smart Fabrication™ Quotes, Email To: smartfab@advancetabco.com or Fax To: 631-586-2933

NEW YORK
Fax: (631) 242-6900

GEORGIA
Fax: (770) 775-5625

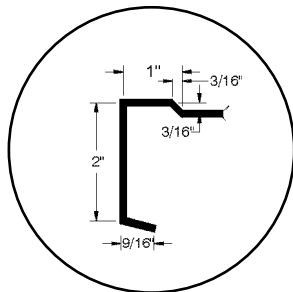
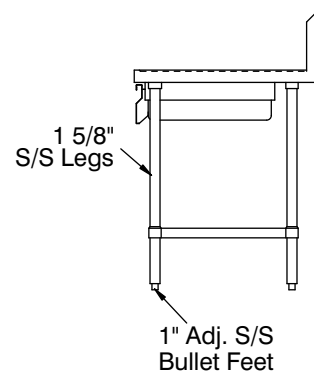
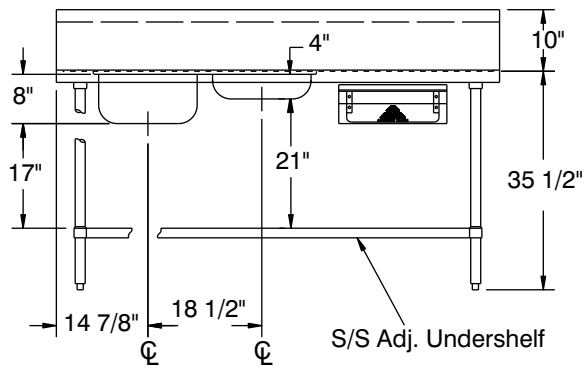
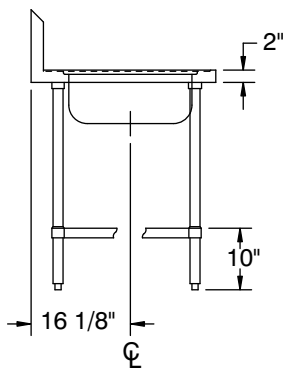
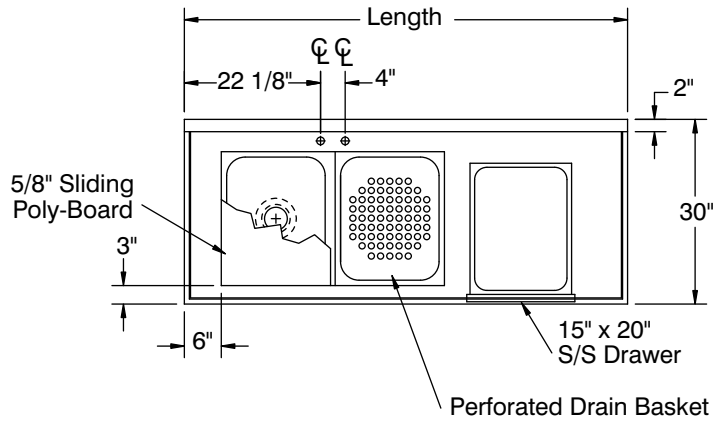
TEXAS
Fax: (972) 932-4795

NEVADA
Fax: (775) 972-1578

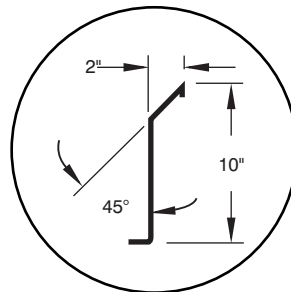
DETAILS and SPECIFICATIONS

TOL ± .500"

ALL DIMENSIONS ARE TYPICAL



Countertop Edge Detail



Splash Detail

