



Click here to buy now!

Central
RESTAURANT PRODUCTS

1-866-285-1252

ALUMINUM

OVAL TRAY RACK

Item #: _____ Qty #: _____
 Model #: _____
 Project #: _____



MODEL #	Pan Capacity	A Shelf Spacing	Overall Size L x W x H	Wt.
OT10-6	10	6"	26" x 28" x 69 1/4"	68 lbs.
OT20-3	20	3"	26" x 28" x 69 1/4"	102 lbs.

FEATURES:

- Curved top with 4" wide angles.
- 5" heavy duty stem bolted casters.
- OT10-6 has 6" spacing and 10 pan capacity
- OT20-3 has 3" spacing and 20 pan capacity.

CONSTRUCTION:

Fully welded 1 1/4" square tubing ladder assembly.

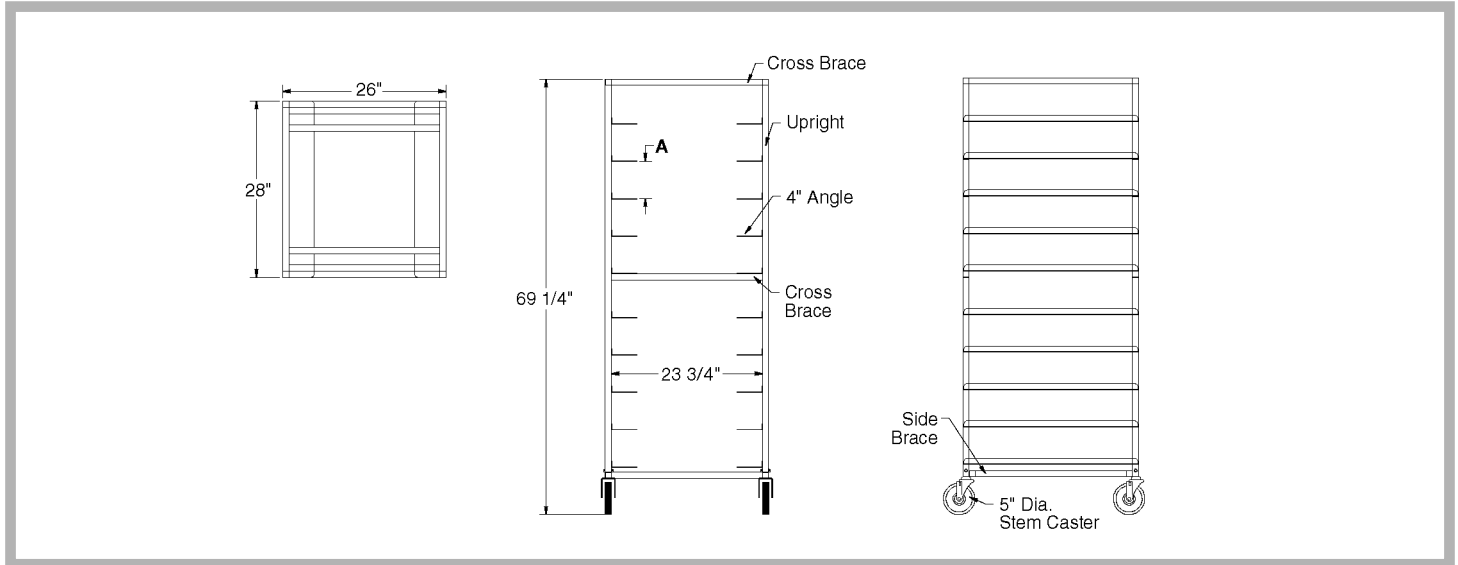
MATERIAL:

6063-T52 extruded aluminum angles, upright tubing, and support pieces.

DIMENSIONS and SPECIFICATIONS

TOL ± .500"

ALL DIMENSIONS ARE TYPICAL



NEW YORK
(800) 645-3166
Fax: (631) 242-6900

GEORGIA
(800) 832-1218
Fax: (770) 775-5625

TEXAS
(800) 527-0353
Fax: (972) 932-4795

NEVADA
(800) 446-8684
Fax: (775) 972-1578