



STAINLESS STEEL DROP-IN URN TROUGHS

Item #: _____ **Qty #:** _____
Model #: _____
Project #: _____



FEATURES:

Drop-in Urn Trough requires 5 1/8" wide opening in countertop

1" Flange on all "4" sides supports Trough in countertop

CONSTRUCTION:

- All TIG welded
- Exposed stainless steel surfaces polished to a satin finish
- Slotted Urn Trough Cover Plate

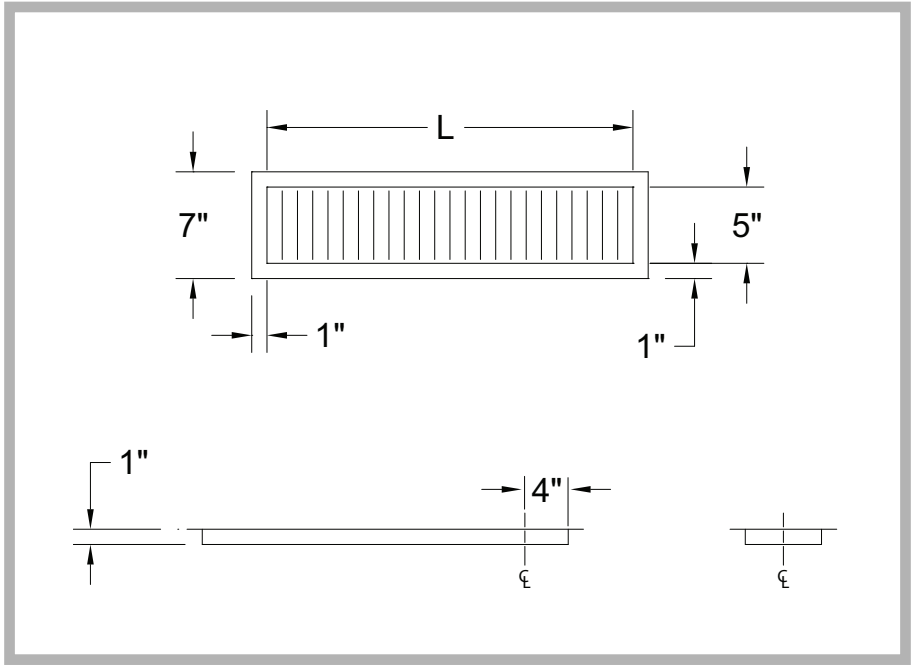
MATERIAL:

- 16 gauge type "304" Stainless Steel
- 1 1/2" IPS Drain

DETAILS and SPECIFICATIONS

TOL ± .500"

ALL DIMENSIONS ARE TYPICAL



MODEL #	Length (L)
TA-521	1 ft.
TA-522	2 ft.
TA-523	3 ft.
TA-524	4 ft.
TA-525	5 ft.
TA-526	6 ft.
TA-527	7 ft.
TA-528	8 ft.
TA-529	9 ft.

CUSTOM LENGTHS AVAILABLE - CONSULT FACTORY



Customer Service Available To Assist You 1-800-645-3166 8:30 am - 8:00 pm E.S.T.
 Email Orders To: customer@advancetabco.com. For Smart Fabrication™ Quotes, Email To: smartfab@advancetabco.com or Fax To: 631-586-2933

NEW YORK
 Fax: (631) 242-6900

GEORGIA
 Fax: (770) 775-5625

TEXAS
 Fax: (972) 932-4795

NEVADA
 Fax: (775) 972-1578