

CU0415, CU0715 and CU0920 Service Parts

This is the illustrated parts list for the CU0415, CU0715 and CU0920. The CUR0415, CUR0715 and CUR0920 are -32 (208-230/60/1) versions of the matching models.

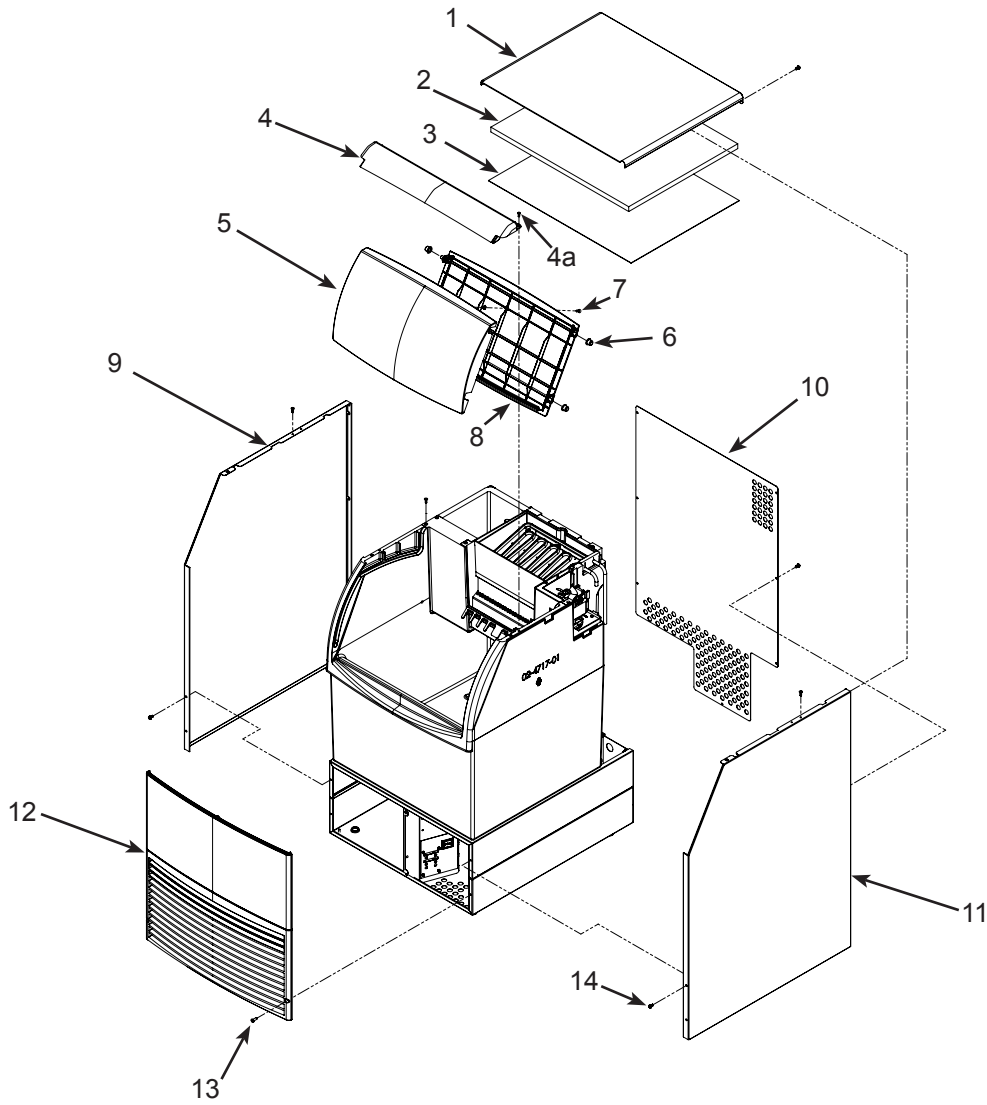
There are 3 voltages, 115/60/1, 208-230/60/1 and 230/50/1. Be sure of the voltage before selecting a part.

Contents

Cabinet - CU0415 or CU0715	2
Cabinet - CU0920.....	3
Under Bin Parts	4
Bin and Insulation	5
Refrigeration System - CU0415 and CU0715	6
Refrigeration System - CU0920	7
Water System	8
Controls and Electrical.....	9
Wiring Diagram.....	10
Schematic Diagram	11

CU0415, CU0715 and CU0920 Service Parts

Cabinet - CU0415 or CU0715



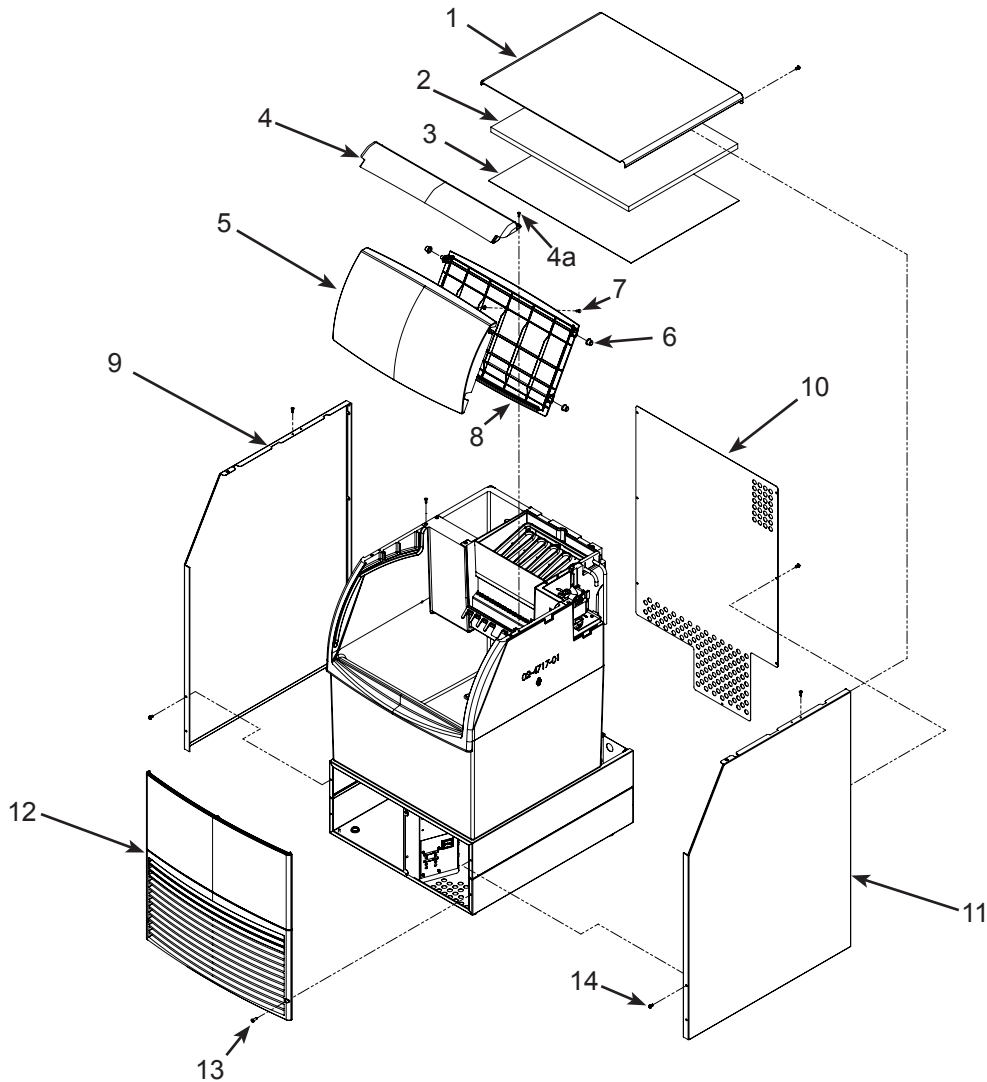
Item Number	Part Number	Description
1	A39993-001	Top panel, 15 inch
2	02-4677-01	Insulation, 15 inch
3	02-4694-01	Inner top panel, 15 inch
4	02-4691-01	Top frame, 15 inch
4a	03-3836-04	Screw
5	02-4685-01	Door, outer, 15 inch
6	03-3941-01	Bushing
	03-3940-01	Bumper (in door slot & base)
7	03-3870-01	Screw
8	02-4685-04	Door liner, 15 inch
9	A39990-001	Left side panel
10	A39996-001	Back panel, 15 inch
11	A39990-002	Right side panel
12	02-4683-01	Front panel, 15 inch
13	03-1404-12	Screw
14	03-3943-01	Screw

Not illustrated

15	KLP7	Leg kit
16	02-4391-03	Scoop
17	A40085-001	Bin thermostat tube, 15 inch

CU0415, CU0715 and CU0920 Service Parts

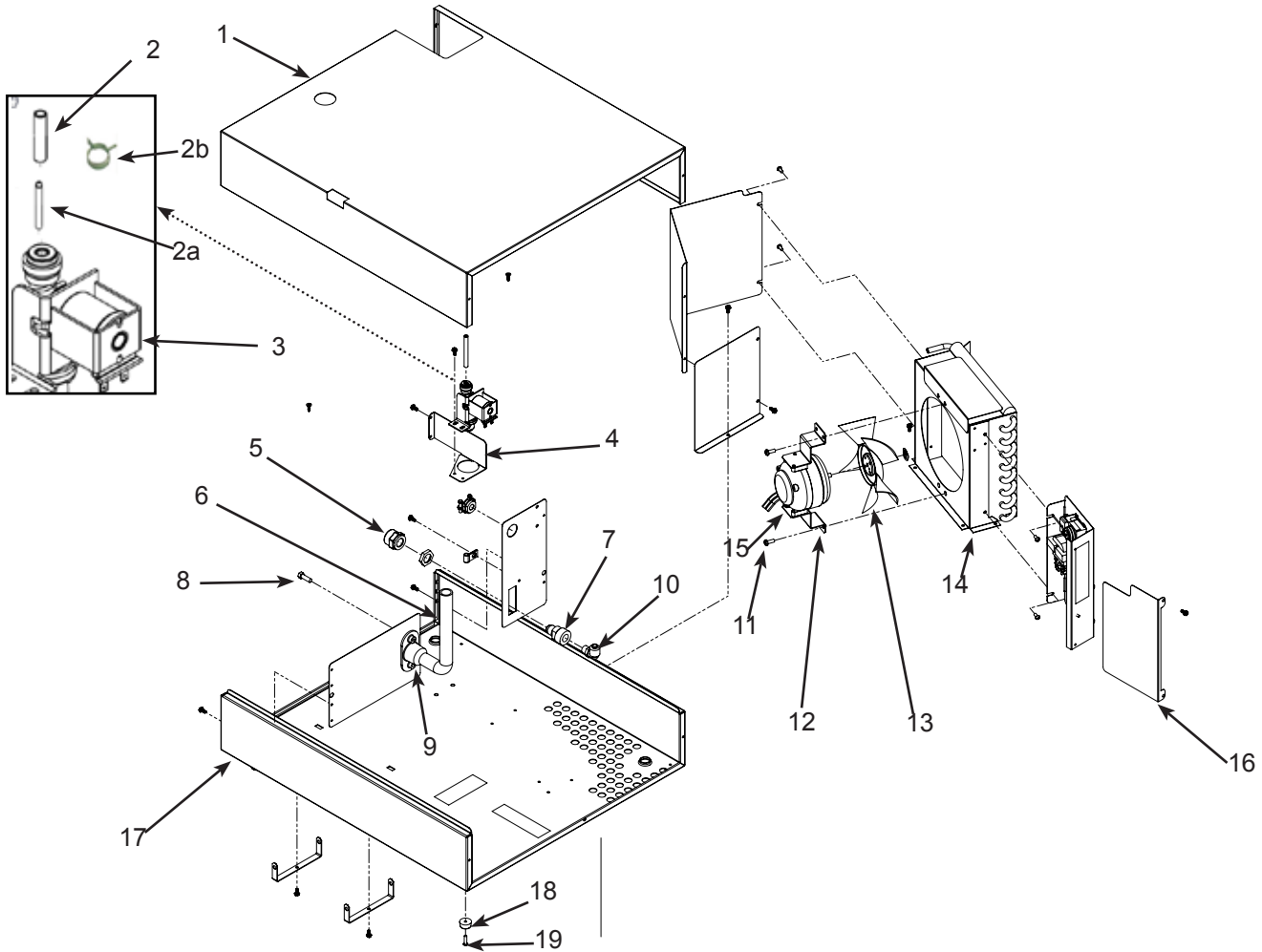
Cabinet - CU0920



Item Number	Part Number	Description	Not illustrated	
1	A39993-002	Top panel, 20 inch	15	KLP7 Leg kit
2	02-4677-02	Insulation, 20 inch	16	02-4391-03 Scoop
3	02-4695-01	Inner top panel, 20 inch	17	A40085-002 Bin thermostat tube, 20 inch
4	02-4692-01	Top frame, 20 inch		
4a	03-3836-04	Screw		
5	02-4686-01	Door, outer, 20 inch		
6	03-3941-01	Bushing		
	03-3940-01	Bumper (in door slot & base)		
7	03-3870-01	Screw		
8	02-4686-04	Door liner, 20 inch		
	02-4805-01	Rod, door support		
9	A39990-001	Left side panel		
10	A39997-001	Back panel, 20 inch		
11	A39990-002	Right side panel		
12	02-4684-01	Front panel, 20 inch		
13	03-1404-12	Screw		
14	03-3943-01	Screw		

CU0415, CU0715 and CU0920 Service Parts

Under Bin Parts



Item Number	Part Number	Description
1	A39991-001	Chassis cover, 15 inch
	A39991-002	Chassis cover, 20 inch
2	13-0674-01	1/4 ID Hose, requires < 24"
2a	13-0895-01	1/4 OD Hose, requires < 12"
2b	03-3961-01	Hose Clamp
3	12-3055-01	Inlet water sol valve, 115 volt
	12-3055-02	Inlet water sol valve, 230 volt
4	A40014-001	Bracket
5	16-1150-01	Adapter for 230 volt models
6	A39992-002	Drain hose
7	16-0835-01	Hose fitting, 230 volt models
8	03-0571-00	Screw for drain fitting
9	02-3692-23	Drain fitting kit
10	16-1081-01	Elbow, 230 volt models
11	03-3943-02	Screw
12	A39556-001	Fan motor bracket

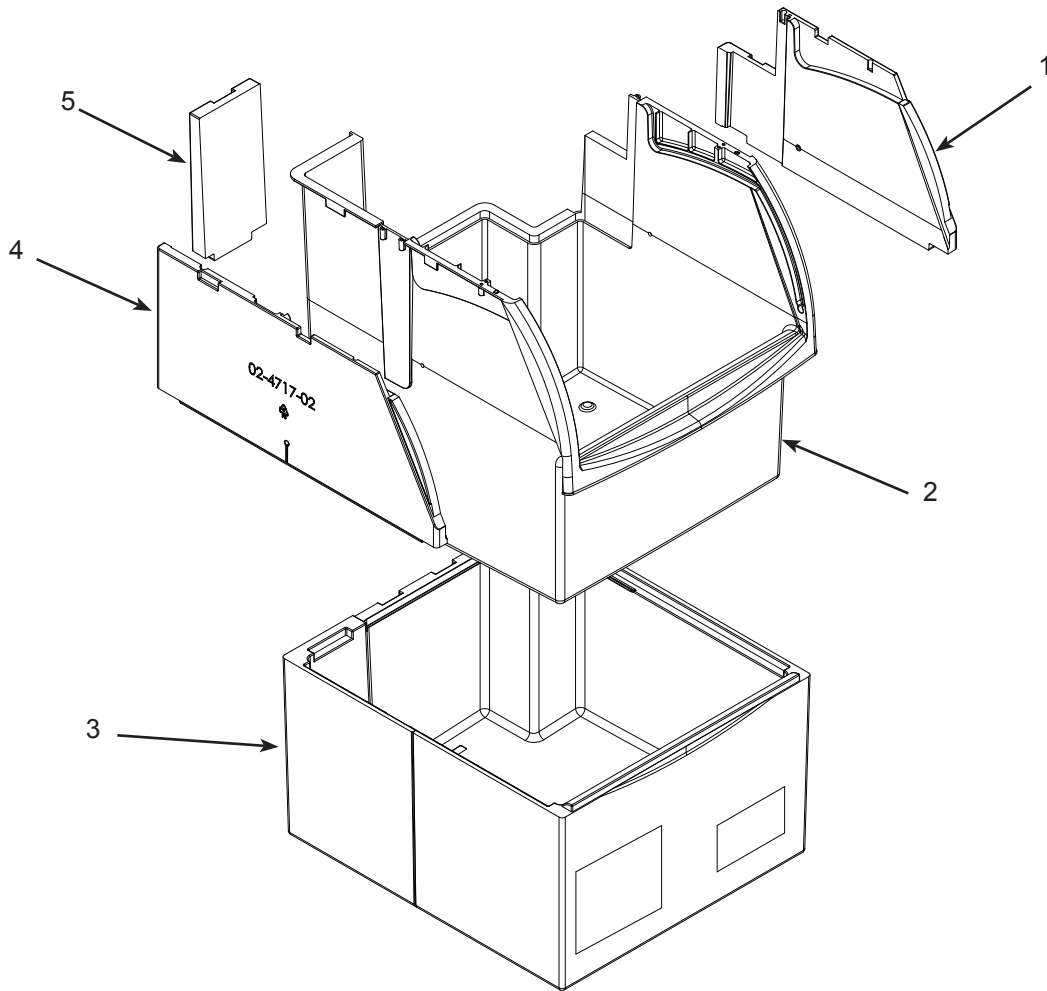
13	02-4197-01	Fan blade
14	A39460-001	Fan shroud
15		Fan motor see table

Part number	Model Size	Voltage
12-3024-01	40	115
12-3024-01	70	115
12-2989-01	90	115
12-3024-03	40	230
12-3024-03	70	230
12-2989-02	90	230

16	A40077-001	Cover
17	A39994-001	Base, 15 inch
	A39995-001	Base, 20 inch
18	03-3940-01	Bumper
19	03-1531-08	Screw

CU0415, CU0715 and CU0920 Service Parts

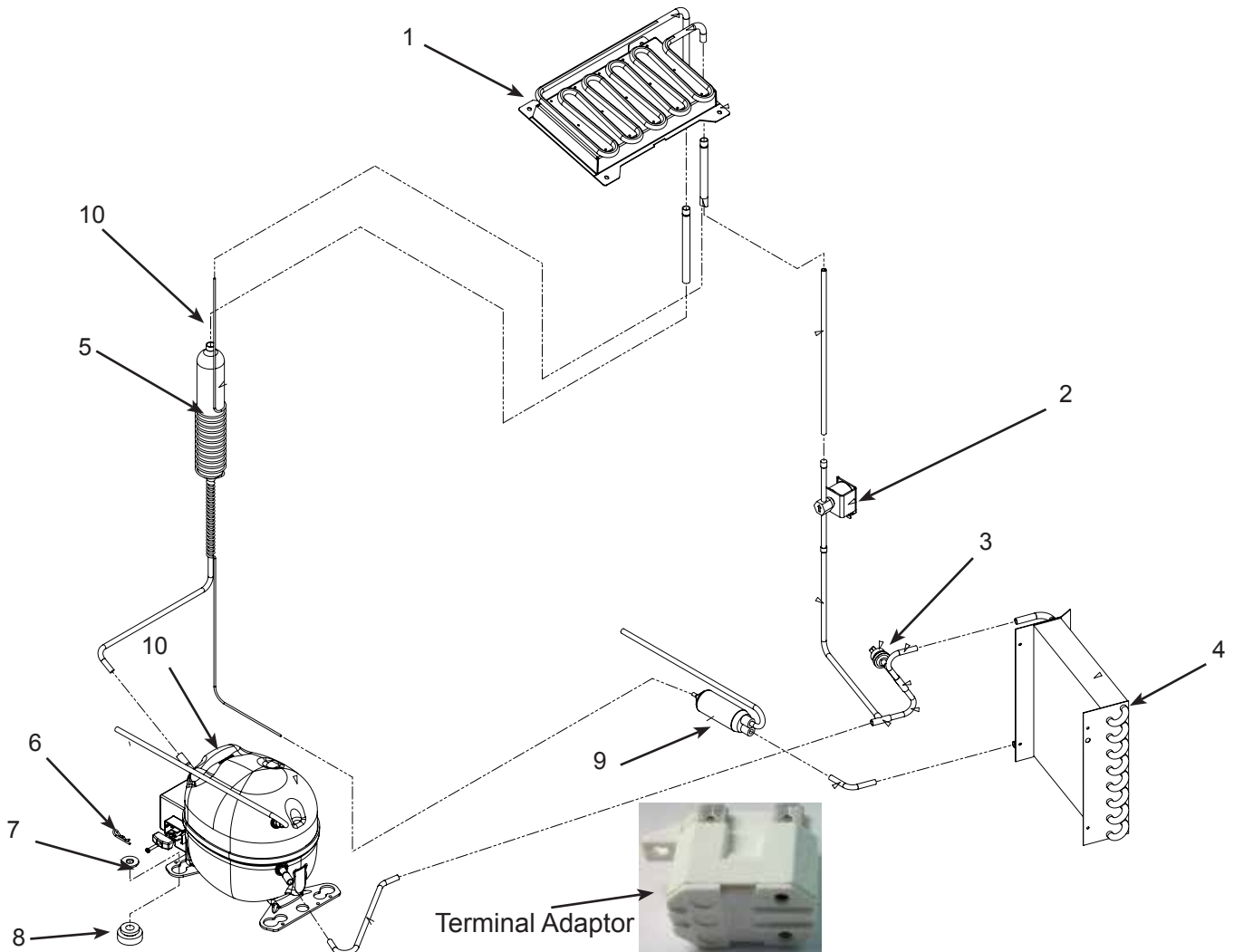
Bin and Insulation



Item Number	Part Number	Description
1	02-4717-01	Right side insulation
2	02-4705-01	Bin liner, 15 inch
	02-4706-01	Bin liner, 20 inch
3	02-4696-01	Insulation, 15 inch bin
	02-4697-01	Insulation, 20 inch bin
4	02-4717-02	Left side insulation
5	02-4718-01	Insulation filler

CU0415, CU0715 and CU0920 Service Parts

Refrigeration System - CU0415 and CU0715



Item Number	Part Number	Description	Part Number	Description
1	A40204-021	Evaporator	5	A40009-001 Suction assy, 40 lb, 230 volt
2	11-0562-01	Hot gas valve, 115 volt		A40010-001 Suction assy, 40 lb 115 volt
	11-0562-02	Hot gas valve, 230 volt		A40010-001 Suction assy, 70 lb
3	11-0566-03	Fan motor pressure switch	6	03-3821-01 Clip
4	18-8940-01	Condenser	7	03-1407-08 Washer
			8	18-8964-01 Grommet
			9	02-4416-01 Dryer
			10	03-1711-01 Thermistor clip

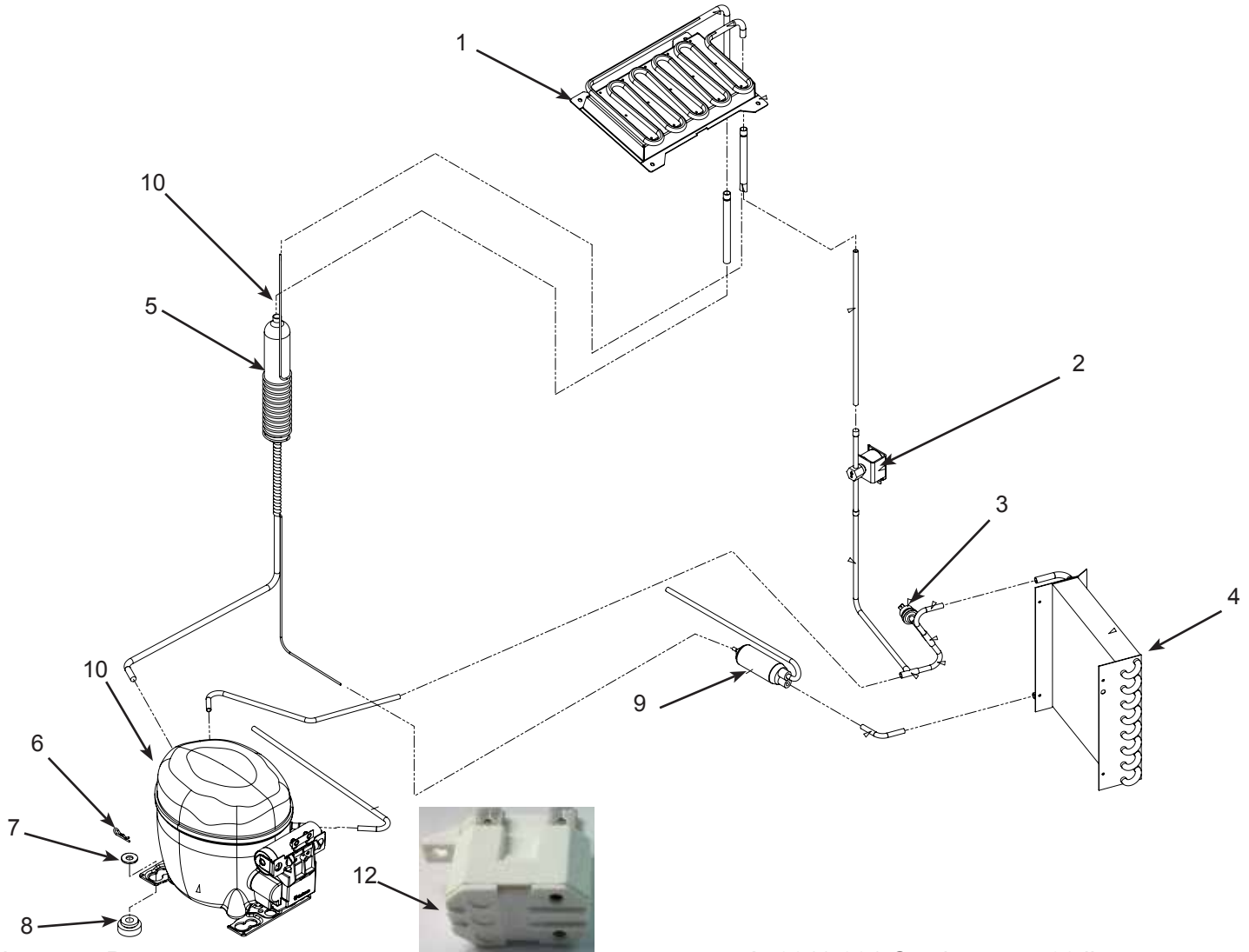
11 Compressors and starting components

Model	Voltage	Compressor	Relay	Terminal Adaptor	Start Capacitor	Overload
CU0415-1	115/60/1	18-8962-21	18-8962-61	12-3008-01	18-8962-62	18-8962-63
CU0415-32 or -6	230/60-50	18-8962-22	18-8962-51	12-3008-01	18-8962-52	18-8962-53
CU0715-1	115/60/1	18-8956-21	18-8956-51	12-3008-01	18-8956-52	18-8956-53
CU0715-32 or -6	230/60-50	18-8960-22	18-8960-51	12-3008-01	18-8960-52	18-8960-53

Compressors include starting components and a dryer.

CU0415, CU0715 and CU0920 Service Parts

Refrigeration System - CU0920



Item Number	Part Number	Description
1	A40204-021	Evaporator
2	11-0562-01	Hot gas valve, 115 volt
	11-0562-02	Hot gas valve, 230 volt
3	11-0566-03	Fan motor pressure switch
4	18-8940-01	Condenser
5	A40011-001	Suction assy, 90 lb
6	03-3821-01	Clip
7	03-1407-08	Washer
8	18-8964-01	Grommet
9	02-4416-01	Dryer
10	03-1711-01	Thermistor clip
12	12-3008-01	Terminal Adaptor

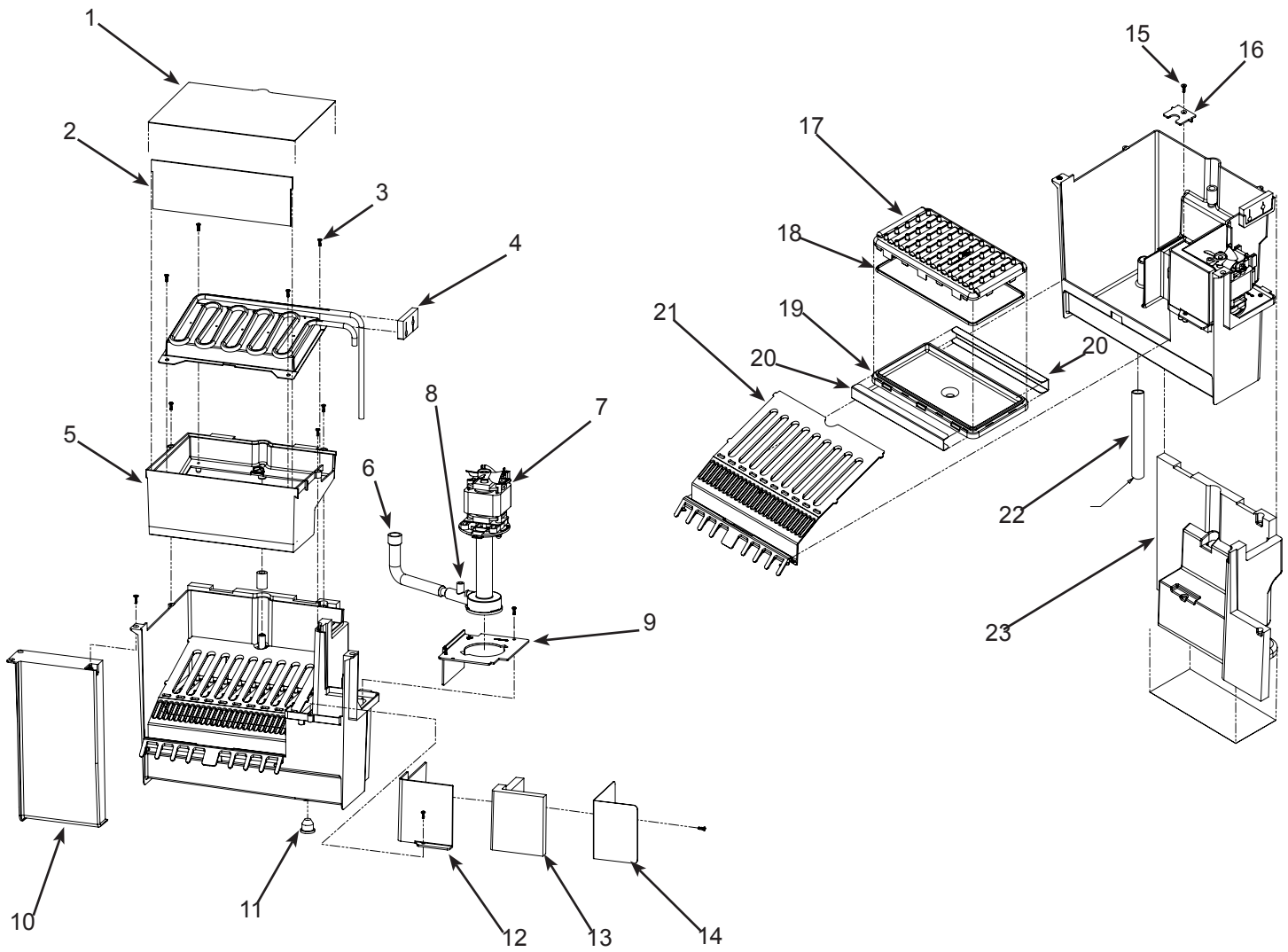
11 Compressors and starting components

Model	Voltage	Compressor	Relay	Terminal Adaptor	Start Capacitor	Overload
CU0920-1	115/60	18-8959-21	18-8959-51	12-3008-01	18-8959-52	18-8959-53
CU0920-32	230/60	18-8959-22	18-8959-54	12-3008-01	18-8959-55	18-8959-56
CU0920-6	230/50	18-8957-26	18-8957-51	12-3008-01	18-8957-52	18-8957-53

Compressors include starting components and a dryer.

CU0415, CU0715 and CU0920 Service Parts

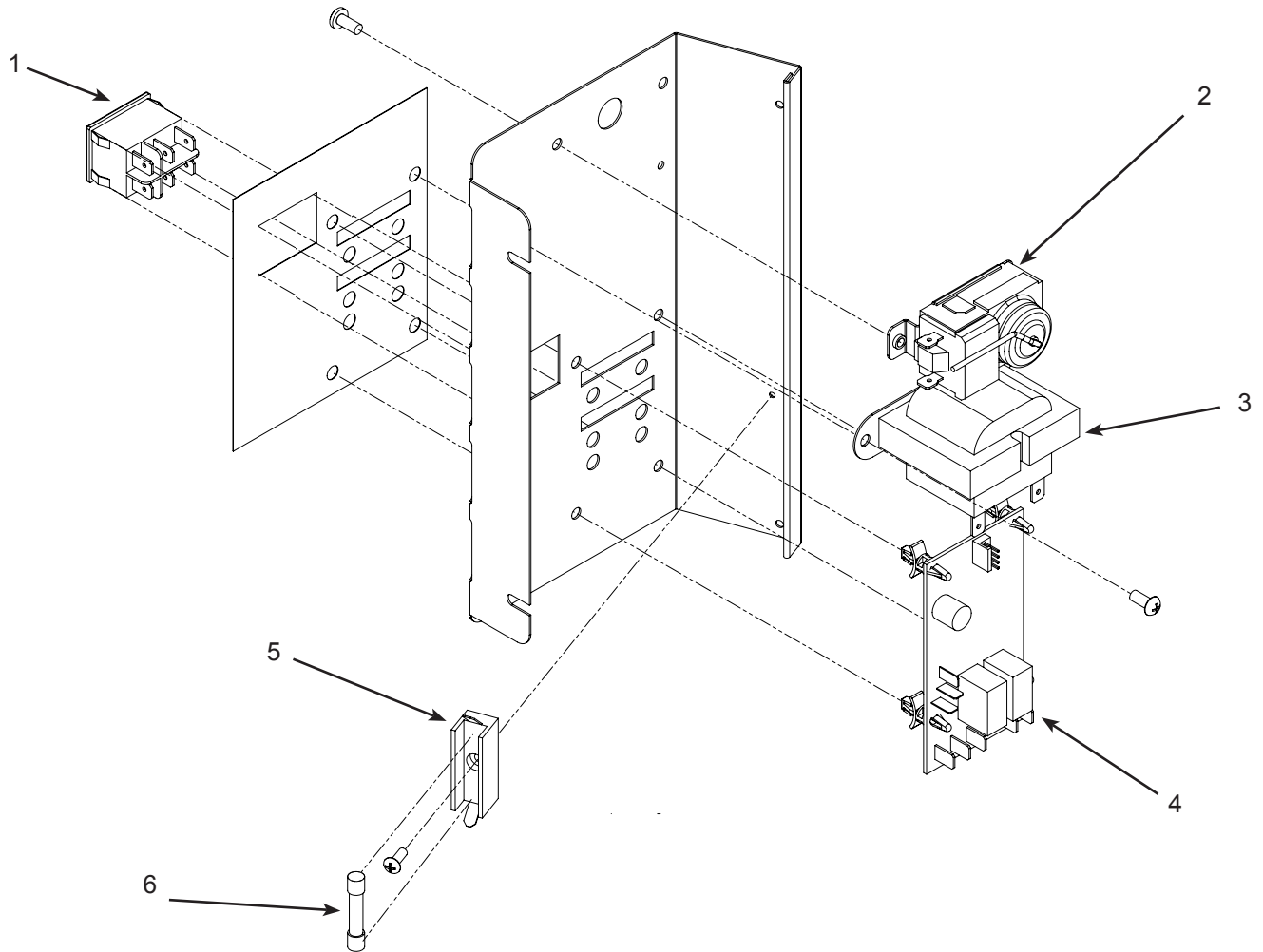
Water System



Item Number	Part Number	Description	Item Number	Part Number	Description
1	02-4688-01	Evaporator cover	11	13-0840-01	Drain plug
2	02-4707-01	Curtain	12	02-4702-01	Pump cover
3	03-3836-04	Screw	13	02-4690-01	Insulation
4	02-4704-01	Grommet	14	A40003-001	Motor barrier
5	02-4679-01	Evap frame	15	03-3870-01	Screw
6	02-4678-01	Pump hose, 60 Hz models	16	02-4904-01	Clip
	02-4739-01	Pump hose, 50 Hz models	17	02-4680-01	Water header top
7	12-2986-21	Water pump, 115 volt models	18	02-4693-01	Gasket
	12-2986-22	Water pump, 230 volt models	19	02-4681-01	Water header pan
8	11-0606-01	Thermistor, long/blue wire to pump hose	20	A40012-001	Water header clip
9	02-4703-01	Pump bracket	21	02-4689-01	Cube deflector
10	02-4699-01	Support	22	13-0674-07	Hose, 11.25" req.
			23	02-4687-01	Insulation

CU0415, CU0715 and CU0920 Service Parts

Controls and Electrical



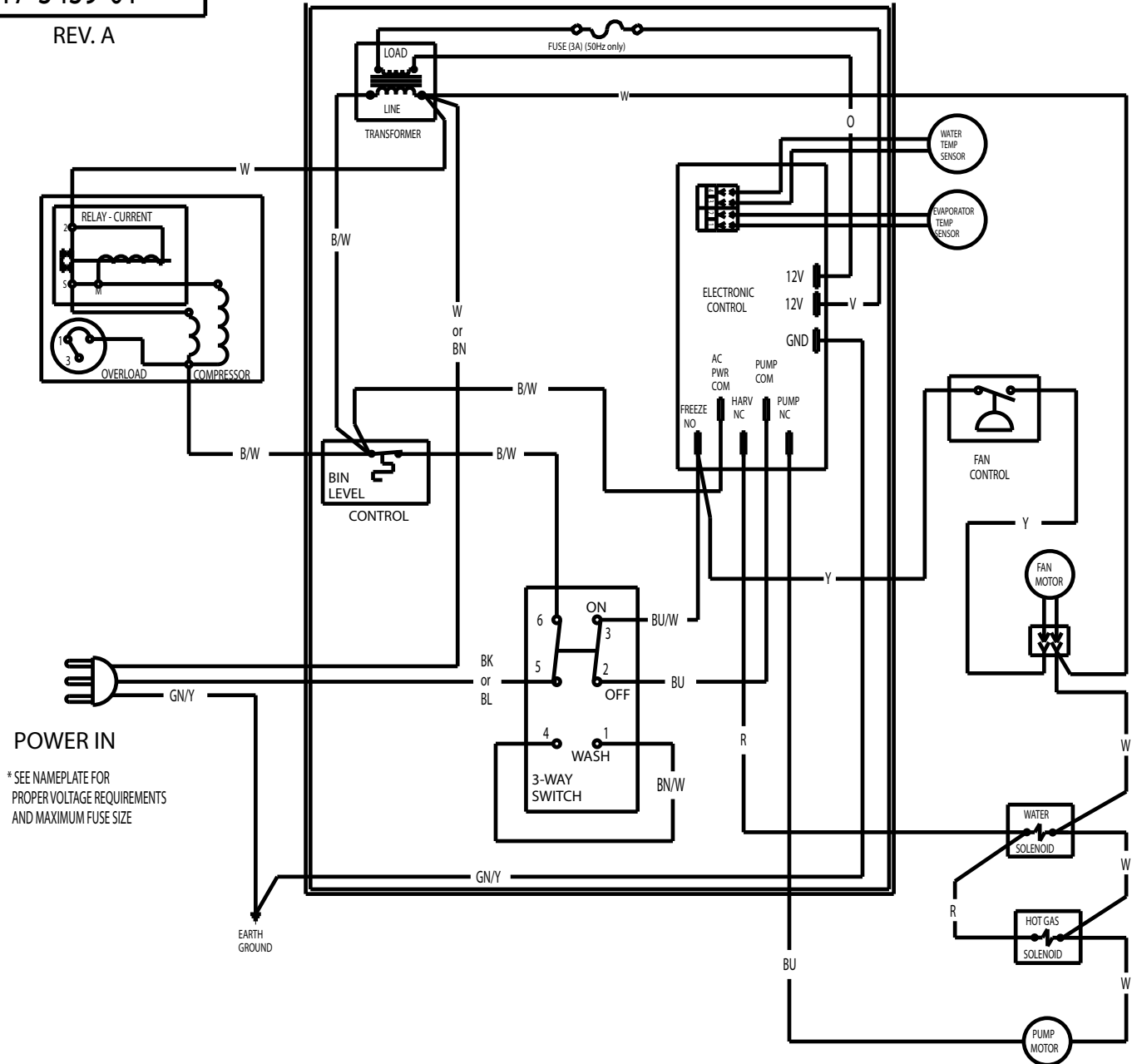
Item Number	Part Number	Description
1	12-3062-01	Master switch
2	11-0617-21	Bin thermostat
3	12-2924-01	Transformer 115 to 12
	12-2924-03	Transformer 230 to 12
4	11-0599-21	Controller
5	12-2687-01	Fuse block, 50 Hz only
6	12-2686-01	Fuse, 50 Hz only
Not shown		
7	12-3056-01	Wire harness, fits all
8	12-1638-14	Power cord, 115 volt models
	12-1638-22	Power cord, 230 volt, 50 Hz
	12-1638-23	Power cord, 230 volt, 60 Hz

CU0415, CU0715 and CU0920 Service Parts

Wiring Diagram

17-3439-01

REV. A



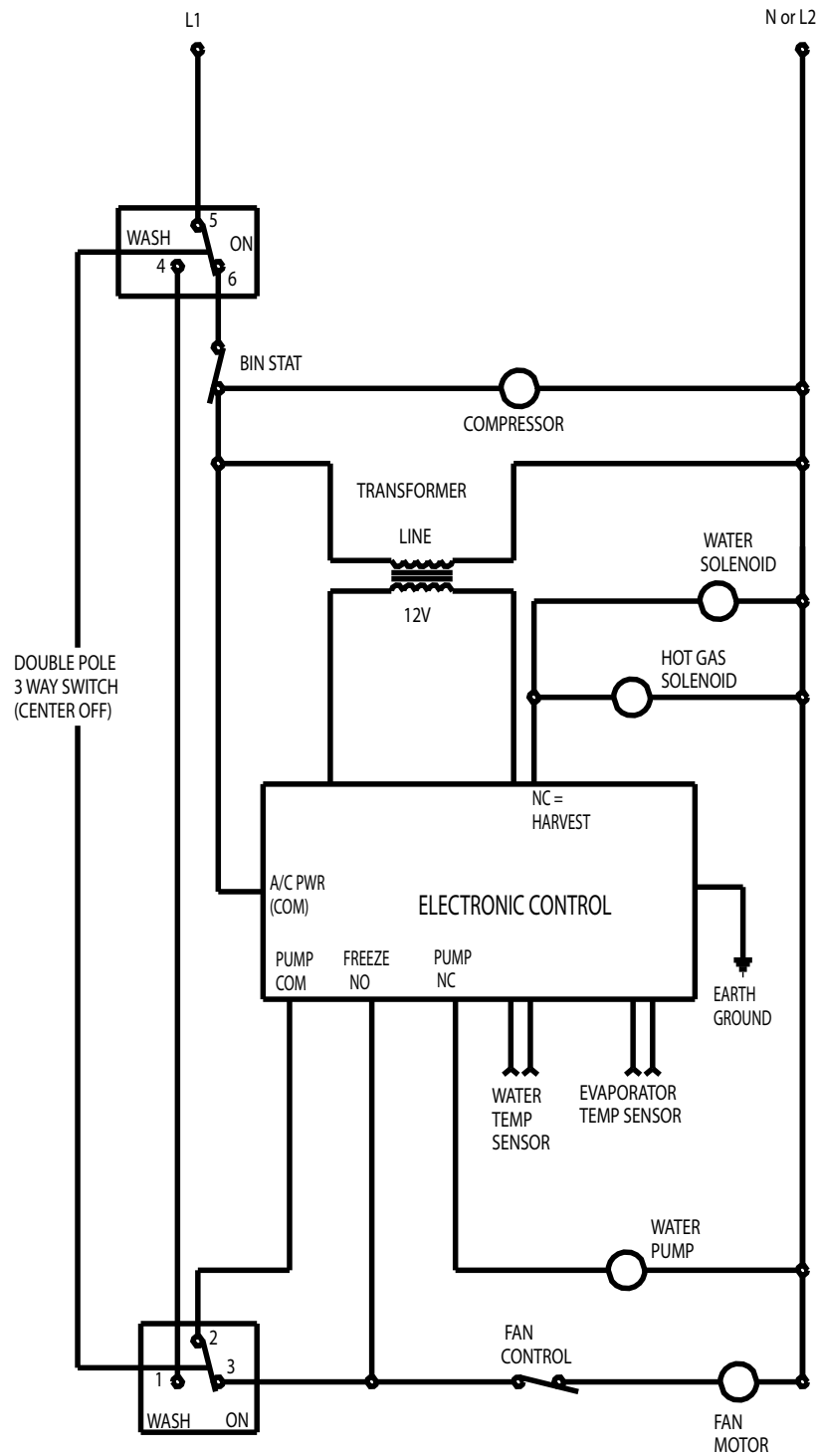
POWER IN
* SEE NAMEPLATE FOR PROPER VOLTAGE REQUIREMENTS AND MAXIMUM FUSE SIZE

CAUTION:
MORE THAN ONE DISCONNECT MEANS MAY BE REQUIRED TO DISCONNECT ALL POWER TO UNIT

THIS UNIT MUST BE GROUNDED

CU0415, CU0715 and CU0920 Service Parts

Schematic Diagram



SWITCHES ON THIS UNIT
SHOWN IN FREEZE CYCLE