

# Scotsman®

## BH1100, BH1300, BH1600 - Storage Bins

### Large Modular Storage Bins



### Features and Benefits

- Spring loaded door hinge keeps door open when accessing ice.
- Seamless poly liner inside the bin for better sanitation. Resists scratches and scuffs. All models available with all stainless steel construction or stainless steel with galvanized back and bottom.
- Features a roto-molded pouch door that is dent and scratch resistant and doesn't sweat.
- The pouch style door can be installed without tools in less than five minutes. It is shipped inside the bin to provide a narrower bin for delivery through doorways.
- Adjustable bin top filler panels included for use with most Scotsman ice machines.



### Storage Capacity

BH1100BB/SS	BH1300BB/SS	BH1600BB/SS
Application Capacity	Application Capacity	Application Capacity
1100/499 lb/kg	1400/635 lb/kg	1755/796 lb/kg

Application capacity is based on 90% of total volume in cubic feet x 34 lb/ft<sup>3</sup>



### First Ice In First Ice Out

The first ice that drops in the bin is the first ice that comes out and is used, ensuring fresh tasting all the time.



### Dimensions (W x D x H)\*

BH1100BB/SS	BH1300BB/SS	BH1600BB/SS
48" x 34" x 50" (121.9 x 86.4 x 127.0 cm)	60" x 34" x 50" (152.4 x 86.4 x 127.0 cm)	60" x 34" x 62" (152.4 x 86.4 x 157.5 cm)

BB - All stainless steel except galvanized back and bottom.  
SS - All stainless steel with polyethylene liner.

\* Add 6" Height for bin legs.



### Certification



### Polyurethane Insulation

Foam insulation is forced between the wall and liner under heat and pressure to form a perfect wall to wall bond, preserving ice supply for long periods.



### Warranty

- 5 years parts and labor on all components.
- Warranty valid in North, South & Central America for commercial installations.
- Contact factory for warranty in other regions.
- Residential Applications: 1 year parts and labor

BH1100, BH1300, BH1600 - Storage Bins

# Scotsman®

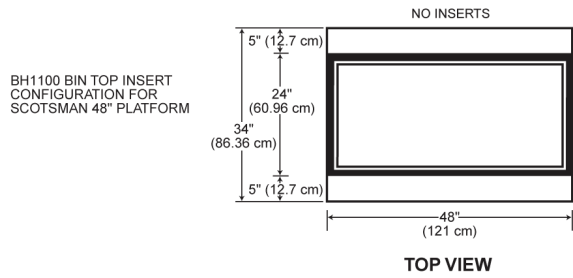
- 101 Corporate Woods Parkway, Vernon Hills, IL 60061
- 1-800-SCOTSMAN • Fax: 847-913-9844 • [www.scotsman-ice.com](http://www.scotsman-ice.com) • [customer.relations@scotsman-ice.com](mailto:customer.relations@scotsman-ice.com)

# BH1100, BH1300, BH1600 - Storage Bins

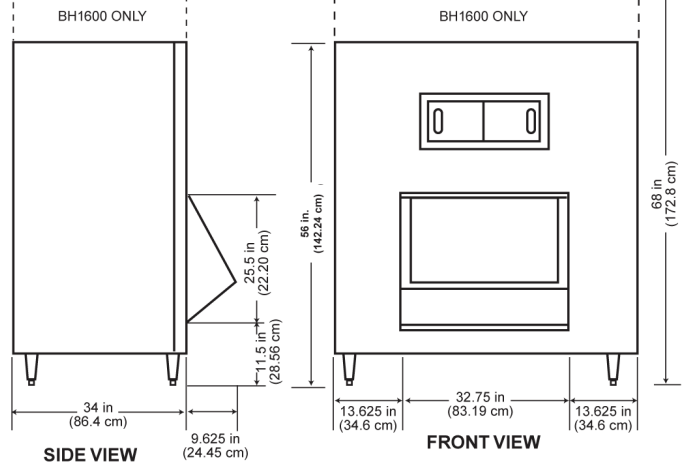
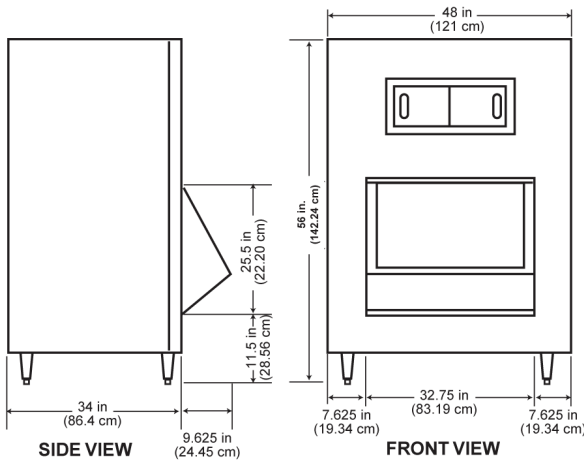
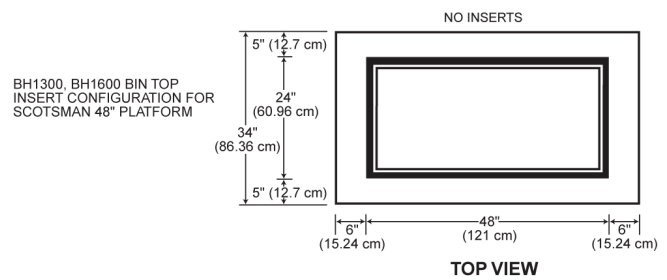
## Large Modular Storage Bins

Installation Note: Allow 6" space at back for utility connections.

### 1100 UPRIGHT



### 1300/1600 UPRIGHT



Drain: 1" FPT drain fitting

BH1100, BH1300, BH1600 - Storage Bins



### Shipping Information

Model #	Carton (W x D x H)	Weight (lb/kg)
BH1100BB-A	54" x 39" x 56"	280/127
BH1100SS-A	54" x 39" x 56"	280/127
BH1300BB-A	65" x 41" x 56"	310/141
BH1300SS-A	65" x 41" x 56"	310/141
BH1600BB-A	65" x 41" x 67"	370/168
BH1600SS-A	65" x 41" x 67"	370/168



### Field Installed Stainless Steel Bin Tops

Model Number	BH1100BB/SS	BH1300BB/SS	BH1600BB/SS
EH222	KBT50	KBT52	KBT52
(2) EH222 units side-by-side	KBT51	KBT53	KBT53
(2) 22" units (non-EH222) side-by-side	KBT62	KBT63	KBT63
(2) 30" units side-by-side	-	KBT54	KBT54

an Ali Group Company



The Spirit of Excellence

**Scotsman**

SIS-SS-BIN-BH 09-20