

SANDWICH STATIONS

Model: 69K-007HC 69K-008HC 69K-009HC 69K-137HC



69K-007HC



69K-008HC



69K-009HC



69K-137HC

Central Sandwich Stations provide the perfect blend of durability and accessibility to allow for quick and easy preparation of sandwiches, salads and more. The stainless steel exterior ensures easy cleaning, longevity and minimal maintenance. Products are held in a storage environment to preserve freshness and prolong shelf life.

FEATURES

- Easy to grip recessed door handles
- 4 Casters (2 locking, 2 non-locking)
- Adjustable, heavy-duty wire shelves (1 per section/door)
- Available in multiple sizes to suit your requirements
- 11.42" deep polyethylene cutting board is included on all models
- Comes with full set of clip on divider bars and 4" deep plastic pans

TEMPERATURE

- Holding temperature: 34° to 41°F (1° to 5°C)
- Forced-air refrigeration delivers consistent temperature regulation
- Solid-state controls deliver consistent, easily adjustable temperature performance

CONSTRUCTION

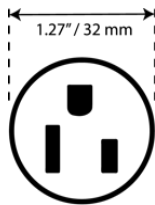
- Exterior Material: Durable, easy to clean stainless steel
- Interior Material: Powder coated aluminum
- CFC Free, high R-value foamed in place polyurethane insulated walls and doors
- Integral condensate evaporator so no floor drain connection is needed

REFRIGERANT

Environmentally-friendly R290a

ELECTRIC

120/60Hz/1 Ph (NEMA 5-15)



NEMA 5-15P



Intertek
Conforms to
ANSI-NSF 7



Intertek
Conforms to
ANSI UL 471



Environmentally
Friendly



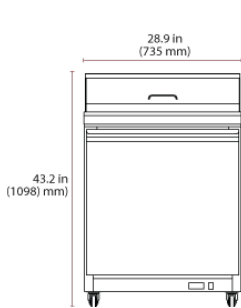
DOE 2017
Compliant

WARRANTY (USA / CANADA)

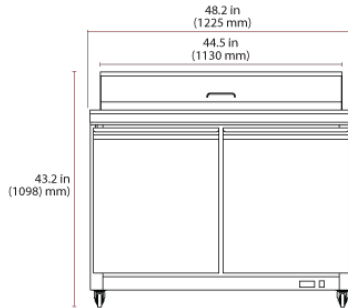
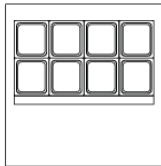
Three (3) year parts
Three (3) year on-site labor
Administered by Central, 800-289-3637

Due to periodic changes in designs, methods, procedures, policies and regulations, the specifications contained in this sheet are subject to change without notice. While we exercise good faith efforts to provide information that is accurate, we are not responsible for errors or omissions in information provided or conclusions reached as a result of using the specifications. By using the information provided, the user assumes all risks in connection with such use.

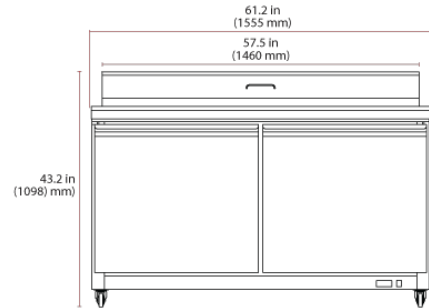
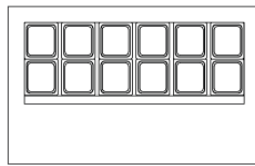
SANDWICH STATIONS



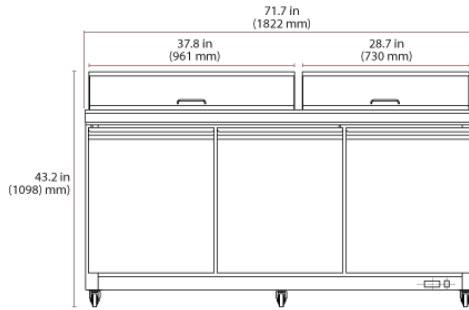
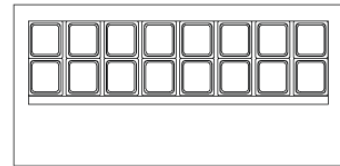
69K-007HC



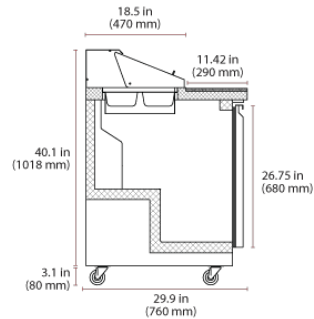
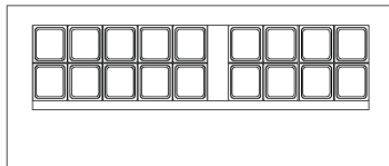
69K-008HC



69K-009HC



69K-137HC



	External Dimensions in / mm	Internal Dimensions In / mm	Capacity	Temperature Range	Max Amp Draw	R290a Charge Size	Unit Weight	Shipping Weight	Pans (1/6)
69K-007HC	28.9 x 29.9 x 43.2 735 x 760 x 1098	22.9 x 18.8 x 22 581 x 478 x 558	7 Cu Ft 198 L	34°- 41° F 1°- 5° C	5	3 oz	276 lb 125 kg	312 lb 141 kg	8
69K-008HC	48.2 x 29.9 x 43.2 1225 x 760 x 1098	43.5 x 18.8 x 22 1104 x 478 x 558	12 Cu Ft 340 L	34°- 41° F 1°- 5° C	6	3.17 oz	313 lb 142 kg	349 lb 158 kg	12
69K-009HC	61.2 x 29.9 x 43.2 1555 x 760 x 1098	56.2 x 18.8 x 22 1428 x 478 x 558	15.5 Cu Ft 439 L	34°- 41° F 1°- 5° C	7	3.17 oz	362 lb 164 kg	398 lb 190 kg	16
69K-137HC	71.7 x 29.9 x 43.2 1822 x 760 x 1098	66.9 x 18.8 x 22 1700 x 478 x 558	18 Cu Ft 510 L	34°- 41° F 1°- 5° C	8	3.35 oz	381 lb 173 kg	422 lb 191 kg	18

Due to periodic changes in designs, methods, procedures, policies and regulations, the specifications contained in this sheet are subject to change without notice.

While we exercise good faith efforts to provide information that is accurate, we are not responsible for errors or omissions in information provided or conclusions reached as a result of using the specifications.

By using the information provided, the user assumes all risks in connection with such use.