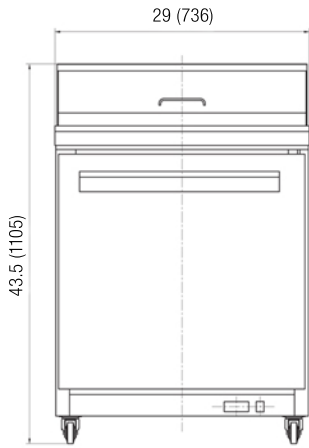
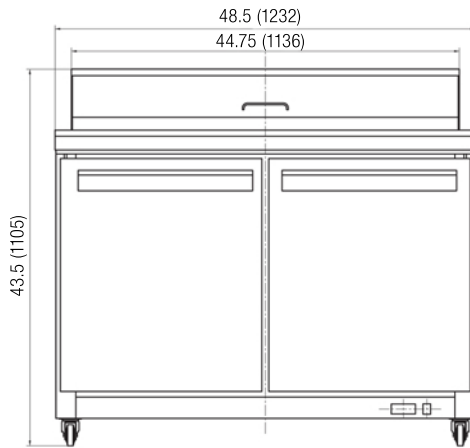


Value Series

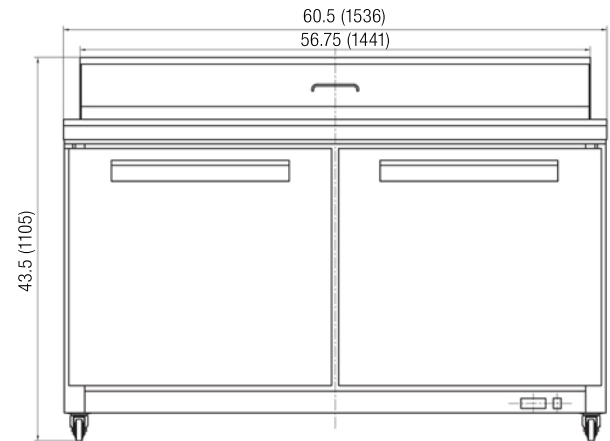
Sandwich/Salad Prep Tables



69K-612



69K-613

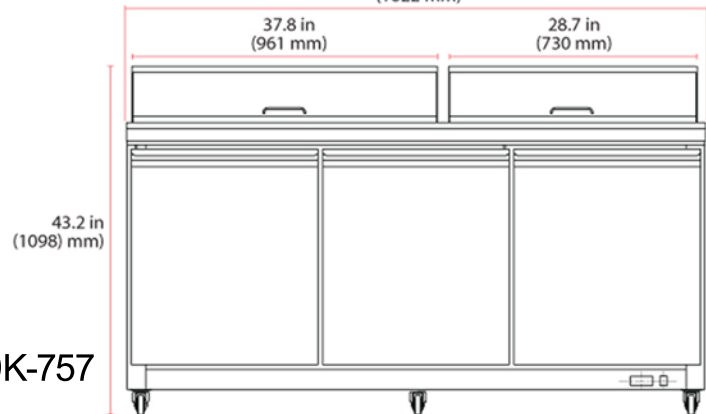


69K-614

**ONE YEAR PARTS AND LABOR,
FIVE YEAR COMPRESSOR WARRANTY**

Product Features:

- 30"D x 43½"H, with 37" working height
- Stainless Steel front, top and sides
- White aluminum interior
- Top holds 4"H sixth-size pans (included as listed)
- Pans sit flush to the rail
- 9"D removable White cutting board included
- Digital thermometer included
- One adjustable coated wire shelf per door
- 120V. Cord and plug included.



69K-757

| Model# | Doors | Cu. Ft. | Sixth-Size Pans | Width | HP | Wt. |
|---------|-------|---------|-----------------|-------|-----|------|
| 69K-612 | 1 | 7 | 8 | 29" | 3/8 | 274# |
| 69K-613 | 2 | 12 | 12 | 48½" | 1/2 | 305# |
| 69K-614 | 2 | 15.5 | 16 | 60½" | 1/2 | 368# |
| 69K-757 | 3 | 18 | 18 | 71.7" | 1/2 | 381# |



Specifications subject to change without notice.

Approvals: UL, UL sanitation