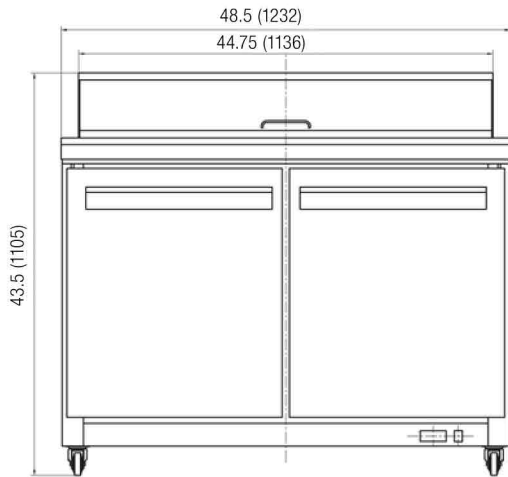
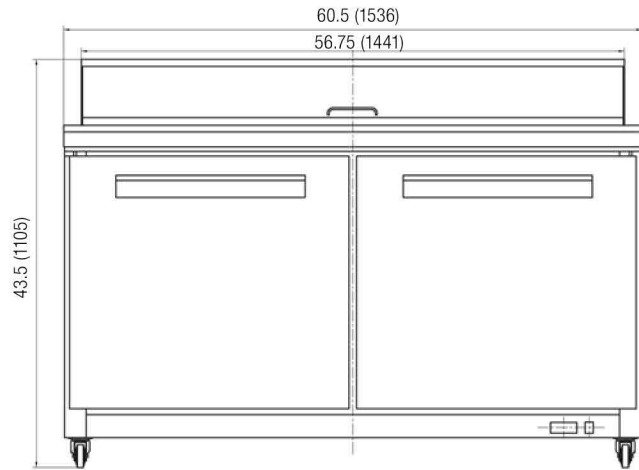


Value Series

Mega-Top Sandwich/Salad Prep Tables



69K-615

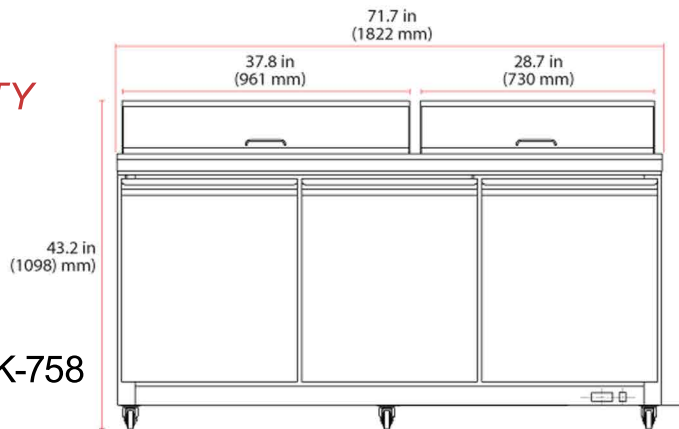


69K-616

**ONE YEAR PARTS AND LABOR,
FIVE YEAR COMPRESSOR WARRANTY**

Product Features:

- 34½"D x 43½"H, with 37" working height
- Stainless Steel front, top and sides
- White aluminum interior
- Top holds 4"H sixth-size pans (included as listed)
- Pans sit flush to the rail
- 9"D removable White cutting board included
- Digital thermometer included
- One adjustable coated wire shelf per door
- 120V. Cord and plug included.



69K-758

Model#	Doors	Cu. Ft.	Sixth-Size Pans	Width	HP	Wt.
69K-615	2	12	18	48½"	½	319#
69K-616	2	15.5	24	60½"	½	354#
69K-758	3	18	27	72"	½	408#



Specifications subject to change without notice.

Approvals: UL, UL sanitation