



KRATOS EQUIPMENT
 7750 Georgetown Road, Indianapolis, IN 46268
 Sales: (317) 634-2550
 Tech Service: (887) 368-2797

Project Name: _____

Location: _____

Item #: _____ Qty: _____

Model: _____

www.KRATOSEQUIP.com

UNDER COUNTER HEATER PROOFER

Model: 69K-777 Clear door, non-insulated 69K-778 Solid door, insulated



69K-777



69K-778

DESIGNED FOR HEATING AND PROOFING

- Heating mode: with adjustable settings keeps cabinet temperatures up to 185°F (85°C)
- Proof mode: adjusts humidity between 30% and 95% and temperature up to 115° F (46°C).

FEATURES

- Air baffle design and forced air circulation.
- Easy to read LED thermometer.
- Extrude and anodized aluminum frame will not dull.
- Insulated door and cabinet with as low as 0.04W m2.K with thickness of 1.2 inch
- Corner bumpers prevent unit from impact.
- 0.1 inch thick aluminum base for reinforced support.
- Removable control drawer for quick clean and maintenance.
- (4) 3" casters for excellent mobility. (2) are with top front-brake

DOOR OPTIONS [Field Reversible]

- Clear: Lexan clear door
- Solid: Double layer aluminum

CAPACITY

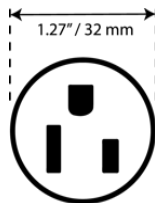
- Single Door: Holds up to 14 full size sheet pans; 1 1/2" of clearance between slides.

Heating Mode: 1500W
 Proofing Mode: 1500W

ELECTRIC

NEMA 5-15P

Cord set includes plug & 6' (3m) cord and cable cover to prevent damage



NEMA 5-15P



KRATOS WARRANTY (USA / CANADA)

One (1) year parts
 One (1) year on-site labor
 Five additional (5) years compressor (part only)
 Administered by KRATOS EQUIPMENT, 887.368.2797
 24/7 tech support provided

Due to periodic changes in designs, methods, procedures, policies and regulations, the specifications contained in this sheet are subject to change without notice. While we exercise good faith efforts to provide information that is accurate, we are not responsible for errors or omissions in information provided or conclusions reached as a result of using the specifications. By using the information provided, the user assumes all risks in connection with such use.

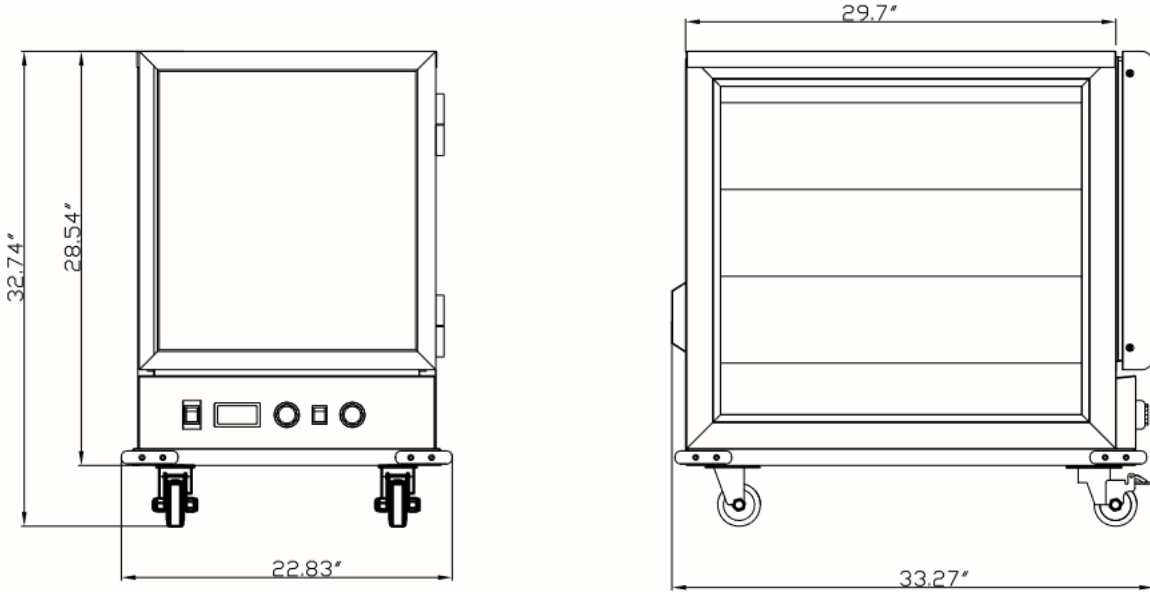
The built in performance enhancing functions ensure that given proper attention and preventative maintenance, each KRATOS Product will deliver years of trouble free, reliable, low maintenance, efficient operation.



KRATOS EQUIPMENT
 7750 Georgetown Road, Indianapolis, IN 46268
 Sales: (317) 634-2550
 Tech Service: (887) 368-2797

Project Name: _____
 Location: _____
 Item #: _____ Qty: _____
 Model: _____
 www.KRATOSEQUIP.com

UNDER COUNTER HEATER PROOFER



69K-777
 69K-778

UNDER COUNTER HEATER PROOFER

Our aluminum series commercial proofing, and heating cabinets are manufactured using the highest quality materials and components. The cabinets are constructed of anodized 6063 aluminum extrusion and sit on a .08" thick aluminum base with formed channels providing additional support. Doors are constructed using miter cut aluminum extrusion and .08" thick clear polycarbonate or double layer aluminum sheet. Heavy duty stainless steel hinges are standard. Bottom heating/proofing modules are made from .063 die formed aluminum and are easily removed for cleaning. Controls are simple to operate, and the bright LED display is easy to read. All under counter models come with corner bumpers and 3" swivel casters, the front two are equipped with locks to keep the cabinet in place during use.

KRATOS MODELNO.	MATERIAL	WATTS	4 CASTERS TOP BRAKE ON FRONT 2 CASTERS	INSULATION	DOORS	PANS	DIMENSIONS (W"xD"xH")	SHIPPING WEIGHT LBS.
UNDER COUNTER HEATER PROOFER								
69K-777	Anodized Aluminum	1500	3"	NO	CLEAR	14	22.83"x33.27"x67.64"	92
69K-778	Anodized Aluminum	1500	3"	YES	SOLID	14	22.83"x33.27"x67.64"	107

Due to periodic changes in designs, methods, procedures, policies and regulations, the specifications contained in this sheet are subject to change without notice. While we exercise good faith efforts to provide information that is accurate, we are not responsible for errors or omissions in information provided or conclusions reached as a result of using the specifications. By using the information provided, the user assumes all risks in connection with such use.