

GLASS DOOR MERCHANDISER | 48 Cu Ft REFRIGERATOR

Model: 69K-115HC 69K-055HC (Color: Black) 69K-122HC (Door: Sliding) 69K-112HC (Color Black, Door Sliding)



69K-115HC



69K-055HC
(Color: Black)



69K-122HC
(Door: Sliding)



69K-112HC
(Color: Black Door: Sliding)

Glass door merchandisers are designed for durability and visual appeal in promoting your product. Glass door merchandisers are energy efficient and effective at keeping product at exactly the right temperature to preserve freshness and prolong shelf life. Simple-to-use, programmable solid-state digital controls deliver accurate temperature regulation. An oversized refrigeration system provides energy efficiency, rapid recovery and consistent minimal change in the internal environment even if the door is opened frequently.

FEATURES

- Self-closing doors with magnetic gasket
- Double pane heated glass doors enhance energy efficiency inhibiting temperature loss and minimizing condensation
- Interior LED lighting
- Bottom mounted oversized compressor
- Eight (8) heavy-duty, PE (polyethylene) coated wire shelves
- Pre-programmed automatic defrost cycle for ideal, trouble-free storage conditions
- Temperature reading visible from up to 15 feet away
- Door lock for security
- Four (4) rollers (2 with levelling feet – swivel casters are an available option)
- Sliding door models are perfect for tight spaces

TEMPERATURE

- Holding temperature: 34° to 41°F (1° to 5°C)
- Digitally controlled system maintains optimum temperature
- Oversized refrigeration system provides rapid temperature recovery

CONSTRUCTION

- Exterior Material: Powder coated steel.
- Interior Material: Powder coated aluminium. Easy to clean, low maintenance.
- Integral condensate evaporator so there is no need for a floor drain
- Illuminated merchandising panel to promote product(s)

REFRIGERANT

Environmentally Friendly R290a

ELECTRIC

115/60Hz/1 Ph (NEMA 5-15)



Intertek
Conforms to
ANSI-NSF 7



Intertek
Conforms to
ANSI UL 471



Environmentally
Friendly



Exceeds today's energy
consumption standards

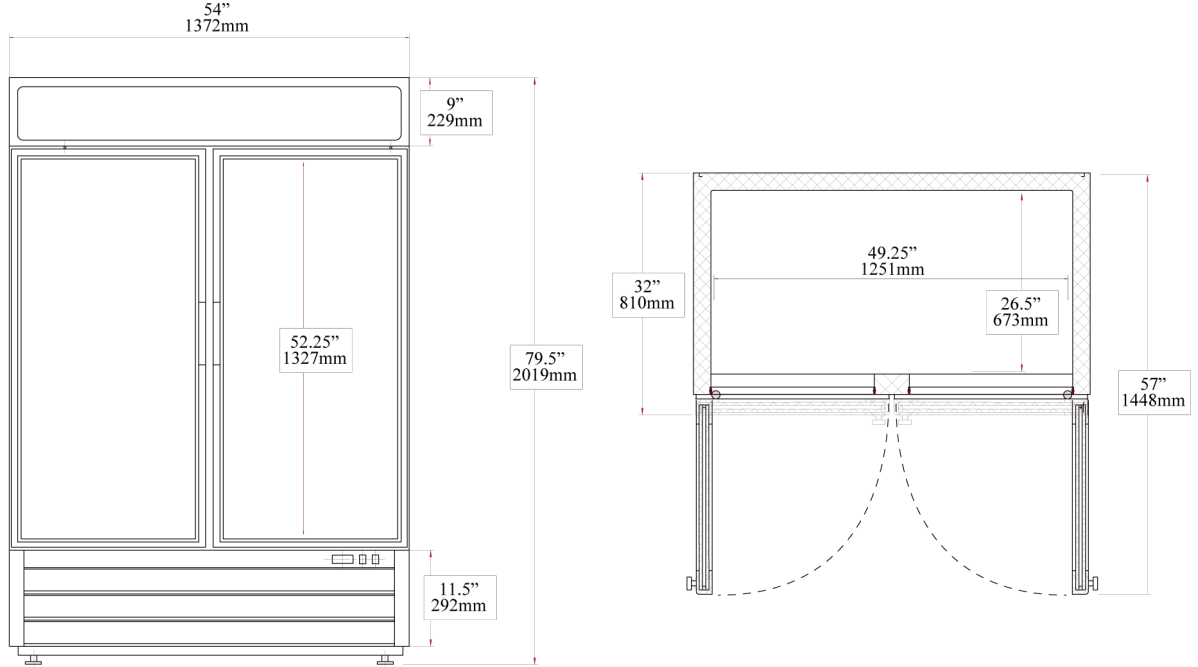
WARRANTY (USA / CANADA)

Three (3) year parts and on-site labor
Five (5) year compressor

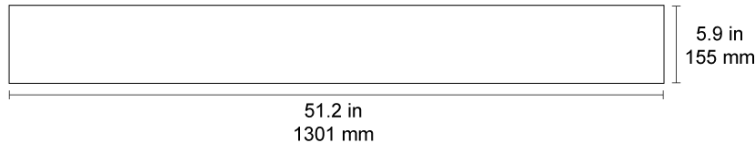
Administered by Central, 800-289-3637

Due to periodic changes in designs, methods, procedures, policies and regulations, the specifications contained in this sheet are subject to change without notice. While we exercise good faith efforts to provide information that is accurate, we are not responsible for errors or omissions in information provided or conclusions reached as a result of using the specifications. By using the information provided, the user assumes all risks in connection with such use.

GLASS DOOR MERCHANDISER | 48 Cu Ft REFRIGERATOR



Backlit Display Panel



	69K-115HC / 69K-055HC / 69K-122HC / 69K-112HC
In: External Dimensions W x D X H	54 x 32 x 79.5
mm: External Dimensions W x D X H	1372 x 810 x 2019
In: Internal Dimensions W x D X H	49.25 x 26.5 x 52.25
mm: Internal Dimensions W x D X H	1251 x 673 x 1327
Nominal Capacity	48 Cu Ft / 1359 L
R290a Charge Size	3.7 oz
Shelves	8
Max Amp Draw	7 Amps
Unit Weight	448 lb / 203kg
Shipping Weight	490 lb / 223kg

Due to periodic changes in designs, methods, procedures, policies and regulations, the specifications contained in this sheet are subject to change without notice. While we exercise good faith efforts to provide information that is accurate, we are not responsible for errors or omissions in information provided or conclusions reached as a result of using the specifications. By using the information provided, the user assumes all risks in connection with such use.