

85lb SELF CONTAINED ICE MAKER (w/ Integrated Ice Bin)

Model: 69K-134

International Model: Add -50 (220V/50Hz/1Ph)
or -60 (220V/60Hz/1Ph)



Half Dice Ice Cubes
Inches: 1/2 x 7/8 x 7/8
mm: 13 x 22 x 22 mm

Self contained ice maker for freestanding or built in undercounter applications. Can produce up to 88 pounds of ice per day (under the right conditions). Includes an integrated 25 pound storage bin with lift up insulated plastic cover. Stainless steel construction provides durability to a unit that is low-maintenance and easy to clean. Front breathing design provides cooling air to the condensing unit. Vertical evaporator and proven ice making technology assures years of reliable ice production. The 69K-134 comes with a NEMA 5-15 cord set so it's installation only requires the hookup of a water supply and drain.

ICE PRODUCTION

Air Temp 70°F (21°C) Water Temp 50°F (10°C)
Daily Ice Production: 88 lbs (40kg)
Energy Consumption 11.96Kw/100lb of ice produced
Water Usage 21 gallon/100lb of ice produced

Air Temp 90°F (32°C) Water Temp 70°F (21°C)
Daily Ice Production: 56 lbs (31kg)

Storage Bin holds 25lbs of ice with automatic overflow prevention
Gravity Drain connection is required, along with a water supply line.

OPERATING REQUIREMENTS

Ambient Temperature Range 50° to 99°F (10° to 37°C)
Water Temperature Range 40° to 90°F (4° to 32°C)
Water Supply Line Connection 3/8" FPT
Water Pressure Range
Min PSI 15 Max PSI 75 (above 75 requires a regulator)
Min Bar 1.0 Max Bar. 5.5

FEATURES and CONSTRUCTION

- Exterior Material: Stainless Steel with Black Trim
 - Air Cooled Compressor
 - Programmable, solid state, digital electronic control system.
 - Built-In Self Cleaning Mode for use with nickel safe cleaning solution
 - Includes: Scoop
Tubing for Supply and Drain Lines
NEMA 5-15 cord set for simple installation
- * A Water filter is recommended for a more efficient operation with less required maintenance and cleaning.
* 3rd Party Approvals: ANSI NSF 12, ANSI UL 563 & DOE2017

REFRIGERANT

- CFC & HCFC free R-134A (4.66 oz)

ELECTRIC

115V/60Hz/1 Ph (NEMA 5-15P)
(220V/50 or 60Hz/1ph available as an option)



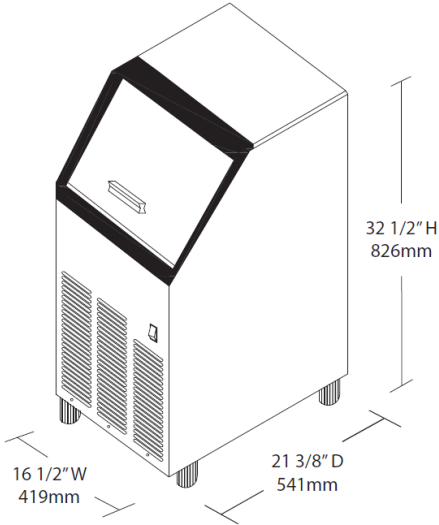
WARRANTY (USA / CANADA)

One (1) year parts
One (1) year on-site labor
Administered by Central, 800-289-3637

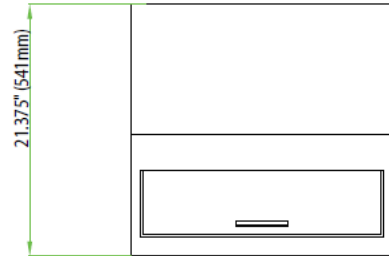
Due to periodic changes in designs, methods, procedures, policies and regulations, the specifications contained in this sheet are subject to change without notice. While we exercise good faith efforts to provide information that is accurate, we are not responsible for errors or omissions in information provided or conclusions reached as a result of using the specifications. By using the information provided, the user assumes all risks in connection with such use.

The built in performance enhancing functions ensure that given proper attention and preventative maintenance, each Central Product will deliver years of trouble free, reliable, low maintenance, efficient operation.

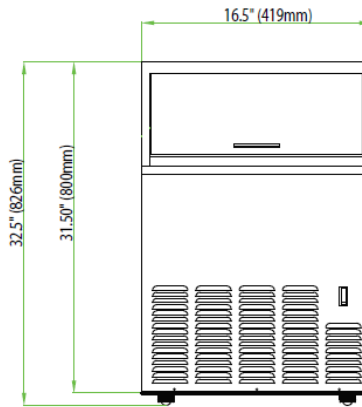
851b SELF CONTAINED ICE MAKER (w/ Integrated Ice Bin)



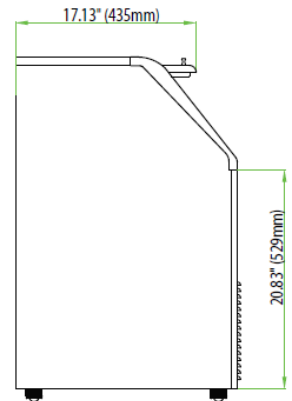
Top View



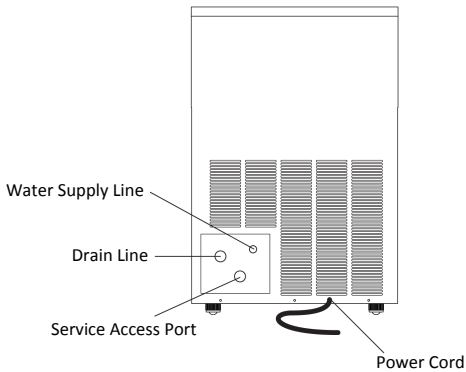
Front View



Side View



Back View



| 69K-134 | |
|---|--|
| In: External Dimensions W x D X H | 16.5 x 21.375 x 32 .5 |
| mm: External Dimensions W x D X H | 419 x 541 x 826 |
| Electrical Amp Draw | |
| 120V | 11.3 max (normal or nominal draw 6.4 amps) |
| 220V | 6.3 max (normal or nominal draw 3.5 amps) |
| Unit Weight | 93 lb / 42kg |
| Shipping Weight | 104 lb / 47 kg |
| Production based on ambient conditions | |
| 50°F Water / 70°F Air | Up to 88 lbs of ice/day |
| 70°F Water / 90°F Air | Up to 56 lbs of ice/day |
| Ice Cube Produced | Half Dice Cube |

Due to periodic changes in designs, methods, procedures, policies and regulations, the specifications contained in this sheet are subject to change without notice. While we exercise good faith efforts to provide information that is accurate, we are not responsible for errors or omissions in information provided or conclusions reached as a result of using the specifications. By using the information provided, the user assumes all risks in connection with such use.