



7750 Georgetown Road  
Indianapolis, IN 46268  
800-289-3637 • Fax 800-882-0086

Project Name: \_\_\_\_\_  
Location: \_\_\_\_\_  
Item #: \_\_\_\_\_ Qty: \_\_\_\_\_  
Model: \_\_\_\_\_

www.CentralRestaurant.com

# REACH-IN REFRIGERATORS

Model:  69K-161HC  69K-162HC  69K-163HC



69K-161HC



69K-162HC



69K-163HC

Central Reach-In Refrigerators keep frequently accessed ingredients within reach and at the proper storage temperature to preserve freshness and prolong shelf life. Capacity options range from 23 to 72 cubic feet. Single or multi-door models are available to accommodate various volume requirements. Each reach-in refrigerator is constructed from stainless steel and has features that are meant to meet high-demand applications, including an oversized refrigeration system, door operated interior LED lighting and self closing doors.

## FEATURES

- Top-mounted refrigeration system
- Oversized evaporator and condensing unit for quick cooling, temperature recovery and energy efficiency
- Self-contained, energy efficient refrigeration system
- Automatic, programmable defrost system
- Automatic interior LED lighting
- Open door alert, beeps when door has been inadvertently left open
- Hinged, self closing doors with recessed handles
- Door locks for security
- 4" diameter swivel casters (2 with brakes – shorter casters are an available option)
- Integral condensate evaporator eliminates need for a floor drain connection

## TEMPERATURE

- Holding temperature: 34° to 41°F (1° to 5°C)
- Digitally controlled system maintains optimum temperature
- LED temperature display is easily viewed up to 15 feet away

## CONSTRUCTION

- Exterior Material: Stainless Steel
- Interior Material: Stainless Steel
- Comes with 6' NEMA 5-15 Cord Set
- Shelving: Heavy duty PE coated wire shelves.
  - 69K-161HC Three (3) Shelves
  - 69K-162HC Six (6) Shelves – 3 per door section.
  - 69K-163HC Nine (9) Shelves – 3 per door section.

## REFRIGERANT

Environmentally-friendly R290a

## ELECTRIC

120V/60Hz/1 Ph (NEMA 5-15P)

\* Plugs into conventional dedicated 115V wall outlet



Intertek  
Conforms to  
ANSI-NSF 7



Intertek  
Conforms to  
ANSI UL 471



Environmentally  
Friendly



Exceeds today's energy  
consumption standards

## WARRANTY (USA / CANADA)

Three (3) Years Parts and Labor

Five (5) years ; Compressor (Part only)

Administered by Central, 800-289-3637

Due to periodic changes in designs, methods, procedures, policies and regulations, the specifications contained in this sheet are subject to change without notice. While we exercise good faith efforts to provide information that is accurate, we are not responsible for errors or omissions in information provided or conclusions reached as a result of using the specifications.

By using the information provided, the user assumes all risks in connection with such use.

The built in performance enhancing functions ensure that given proper attention and preventative maintenance, each Central Product will deliver years of trouble free, reliable, low maintenance, efficient operation.

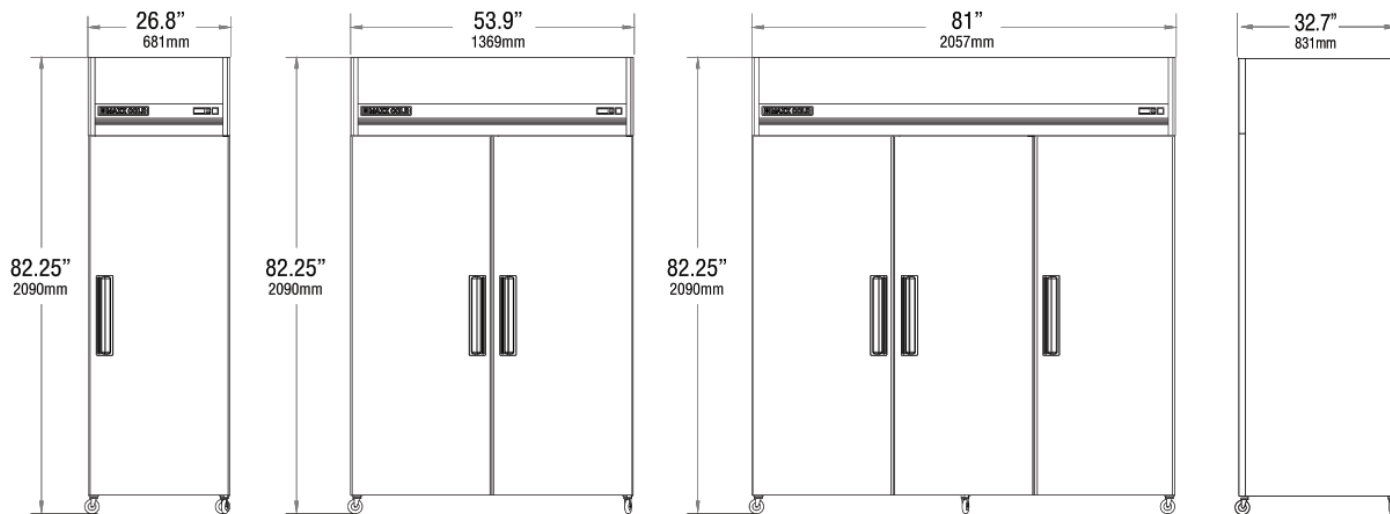


7750 Georgetown Road  
Indianapolis, IN 46268  
800-289-3637 • Fax 800-882-0086

Project Name: \_\_\_\_\_  
Location: \_\_\_\_\_  
Item #: \_\_\_\_\_ Qty: \_\_\_\_\_  
Model: \_\_\_\_\_

www.CentralRestaurant.com

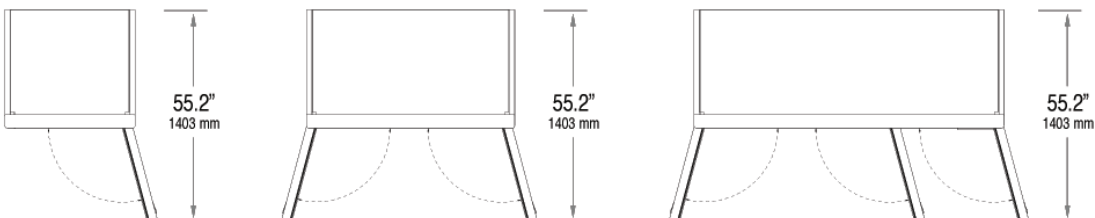
# REACH-IN REFRIGERATORS



69K-161HC

69K-162HC

69K-163HC



	69K-161HC	69K-162HC	69K-163HC
	** Dimensions include Standard Caster Height**		
<b>In: External Dimensions W x D X H</b>	26.8 x 32.7 x 82.25	53.9 x 32.7 x 82.25	81 x 32.7 x 82.25
<b>mm: External Dimensions W x D X H</b>	681 x 831 x 2090	1369 x 831 x 2090	2057 x 831 x 2090
<b>In: Internal Dimensions W x D X H</b>	21.9 x 26.5 x 52.1	49.1 x 26.5 x 52.1	76.1 x 26.5 x 52.1
<b>mm: Internal Dimensions W x D X H</b>	556 x 673 x 1324	1246 x 673 x 1324	1933 x 673 x 1324
<b>Capacity</b>	23 Cu Ft / 651 L	49 Cu Ft / 1,387 L	72 Cu Ft / 2,039 L
<b>Hinged Doors</b>	1	2	3
<b>Shelves</b>	3	6	9
<b>Max Amp Draw</b>	6	9	10
<b>Electrical Service</b>	115V/60Hz/1Ph	115V/60Hz/1Ph	115V/60Hz/1Ph
<b>Provided NEMA Cord Set</b>	5-15	5-15	5-15
<b>R290a Charge Size</b>	3 oz	3.7 oz	5.29 oz
<b>Unit Weight</b>	282 lb / 128 kg	457 lb / 207 kg	468 lb / 212 kg
<b>Shipping Weight</b>	311 lb / 143 kg	536 lb / 244 kg	639 lb / 291 kg

Due to periodic changes in designs, methods, procedures, policies and regulations, the specifications contained in this sheet are subject to change without notice.  
While we exercise good faith efforts to provide information that is accurate, we are not responsible for errors or omissions in information provided or conclusions reached as a result of using the specifications.  
By using the information provided, the user assumes all risks in connection with such use.