



KRATOS EQUIPMENT
 7750 Georgetown Road, Indianapolis, IN 46268
 Sales: (317) 634-2550
 Tech Service: (887) 368-2797

Project Name: _____
 Location: _____
 Item #: _____ Qty: _____
 Model: _____

PREMIUM REACH-IN REFRIGERATORS

Model: 69K-887HC 1 Solid Door 69K-888HC 2 Solid Doors



69K-887HC
1 Door



69K-888HC
2 Door

KRATOS bottom mount reach-in refrigerators keep frequently accessed ingredients within reach and at the proper storage temperature to preserve freshness and prolong shelf life. Single or double-door models are available to accommodate various volume requirements. Each reach-in refrigerator is constructed from stainless steel and has features that are meant to meet high-demand applications, including an oversized refrigeration system, door operated interior LED lighting and self closing doors.

FEATURES

- CFC-free polyurethane foam insulation
- 3 heavy-duty, adjustable, PE coated wire shelves per section
- Door locks and 5" swivel casters come standard (2 with brakes)
- Automatic defrost system keeps the unit at peak operating condition
- Digitally controlled temperature system maintains optimum storage temperature and is easily changed if necessary
- Self-closing doors
- LED display is easily viewed from exterior at a distance up to 15' away
- 1/4 HP Compressor

TEMPERATURE

- Recommended holding temperature range: 34°F to 41°F (1° to 5°C)
- Comes factory set to 39°F(4°C)
- Open door alert, beeps when door has been open for 3 minutes
- Alert can be set to custom time duration (30 seconds-3 minutes)
- Large evaporator and condenser for quick cooling and greater efficiency

CONSTRUCTION

- Interior lighting controlled by an automatic on-off door switch
- Stainless Steel Exterior
- Interior: Painted Aluminum
- Integral condensate evaporator eliminates need for a floor drain connection
- Self contained heavy-duty refrigeration system - forced air for even temperature regulation
- Heavy-duty hinges that open to 180°
- Heavy-duty corrosion-resistant shelves and adjustable mounting clips
- Easy to grip plastic recessed door handles
- NEMA 5-15 6' long cord set is standard

REFRIGERANT

Environmentally-friendly R290a

ELECTRIC

110/60Hz/1 Ph (NEMA 5-15)

1.27" / 32 mm



NEMA 5-15P



Intertek
Conforms to
ANSI-NSF 7



Intertek
Conforms to
ANSI UL 471



Environmentally
Friendly



EPA
Approved
Insulation &
Refrigerant



DOE 2017
Compliant

KRATOS WARRANTY (USA / CANADA)

Three (3) years parts
 Three (3) years on-site labor
 Two (2) additional years (Five (5) total) for the compressor (part only)
 Administered by KRATOS EQUIPMENT, 887.368.2797
 24/7 tech support provided

Due to periodic changes in designs, methods, procedures, policies and regulations, the specifications contained in this sheet are subject to change without notice. While we exercise good faith efforts to provide information that is accurate, we are not responsible for errors or omissions in information provided or conclusions reached as a result of using the specifications.

By using the information provided, the user assumes all risks in connection with such use.

The built in performance enhancing functions ensure that given proper attention and preventative maintenance, each KRATOS will deliver years of trouble free, reliable, low maintenance, efficient operation.

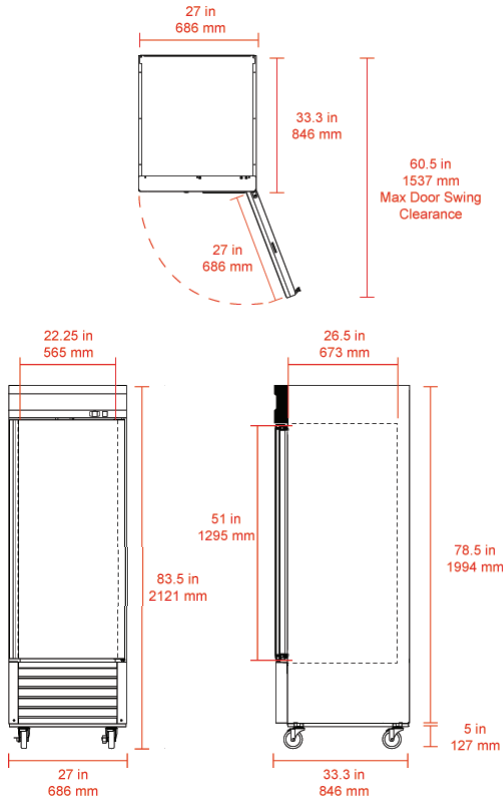


KRATOS EQUIPMENT
 7750 Georgetown Road, Indianapolis, IN 46268
 Sales: (317) 634-2550
 Tech Service: (887) 368-2797

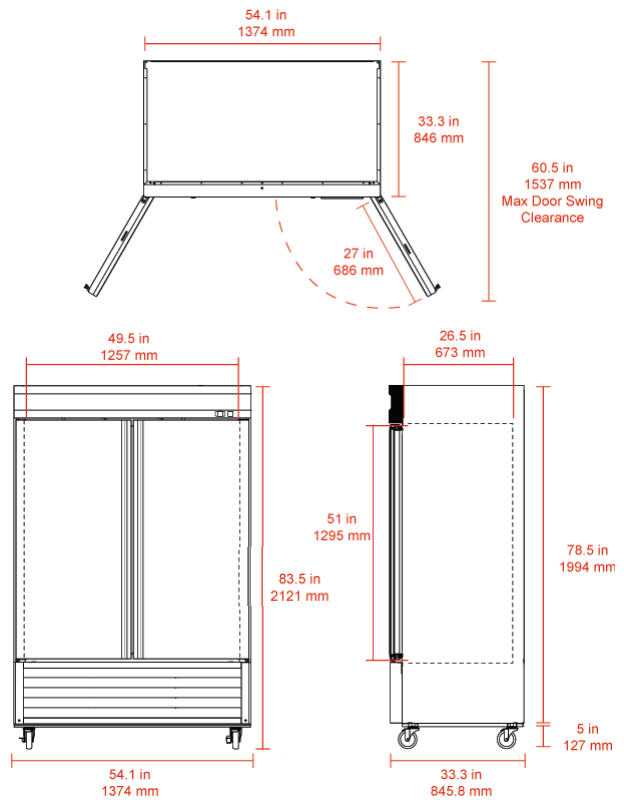
Project Name: _____
 Location: _____
 Item #: _____ Qty: _____
 Model: _____

PREMIUM REACH-IN REFRIGERATORS

69K-887HC



69K-888HC



The overall height of the unit may be reduced by over 2" with an optional shorter caster set of 4 heavy duty casters (2 come with brakes).

	69K-887HC	69K-888HC
In: External Dimensions W x D X H	27 x 33.3 x 83.5	54.1 x 33.3 x 83.5
mm: External Dimensions W x D X H	686 x 846 x 2121	1374 x 846 x 2121
Nominal Capacity	23 Cu Ft / 652 L	49 Cu Ft / 1388 L
Actual Storage Capacity	19.3 Cu Ft / 547 L	42.9 Cu Ft / 1215 L
Doors	1	2
Shelves	3	6
Unit Weight	280 lbs / 127 kg	440 lbs / 200 kg
Shipping Weight	331 lb / 141 kg	477 lb / 217 kg
Watt Rating	320 W	520 W
Average Amp Draw	1	1.3
Refrigerant	R290a 4.1 oz	R290a 4.4 oz
Temperature Range	34° - 41° F (1° - 5° C)	34° - 41° F (1° - 5° C)

Due to periodic changes in designs, methods, procedures, policies and regulations, the specifications contained in this sheet are subject to change without notice.
 While we exercise good faith efforts to provide information that is accurate, we are not responsible for errors or omissions in information provided or conclusions reached as a result of using the specifications.
 By using the information provided, the user assumes all risks in connection with such use.