



Project Name: \_\_\_\_\_

Location: \_\_\_\_\_

Item #: \_\_\_\_\_ Qty: \_\_\_\_\_

Model: \_\_\_\_\_

## SELF-CONTAINED ICE MACHINES

MODEL:  69K-908  69K-909  69K-910  69K-911



Kratos Ice self-contained, air-cooled ice machines are perfect for any freestanding or built-in application. Available in both full or half dice cubes, each unit features a sanitary self-contained storage bin. The durable stainless steel and black trim exterior is easy to clean and service. The digital controls and front-breathing design with vertical evaporator will deliver years of reliable ice production.

### FEATURES AND CONSTRUCTION

- Stainless steel, black trim exterior
- Air-cooled compressor
- Programmable, user-friendly digital controls
- Digital screen displays ice machine status
- Automatic cleaning cycle and bin overflow prevention
- Internal blue LED light
- 6" adjustable leveling legs
- Includes ice scoop with internal scoop holder
- Antimicrobial agent within polyethylene storage bin liner for improved sanitation

### DAILY ICE PRODUCTION

Air Temp 70°F (21°C) / Water Temp 50°F (10°C)	
69K-908/909.....	199 lbs (90 kg)
69K-910/911.....	265 lbs (120 kg)

Air Temp 90°F (32°C) / Water Temp 70°F (21°C)	
69K-908/909.....	153 lbs (70 kg)
69K-910/911.....	217 lbs (99 kg)

### ICE BIN STORAGE CAPACITY

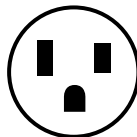
69K-908/909/910/911 .....	75 lbs (34 kg)
---------------------------	----------------

### OPERATING REQUIREMENTS

Ambient Air Temperature Range.....	50° to 100°F (10° to 38°C)
Water Temperature Range .....	41° to 90°F (5° to 32°C)
Water Usage per 100 lbs of ice.....	13.3 Gallons (50L)
Water Supply Line Connection .....	3/8" FPT
Water Pressure Range:	
Min PSI.....	15
Max PSI .....	80*
Min Bar .....	1.0
Max Bar .....	5.5
*Above 80 PSI requires a regulator	
Energy Consumption per 100 lbs of ice:	
69K-908/909.....	8.17 kWh/100 lbs
69K-910/911.....	7.15 kWh/100 lbs

### ELECTRIC

115V / 60Hz / 1Ph  
International voltage available  
6' (2m) NEMA 5-15P cord set included



NEMA 5-15P

### 3RD PARTY APPROVALS



Certified to ANSI NSF 12



Certified to ANSI UL 563



DOE 2018 Compliant

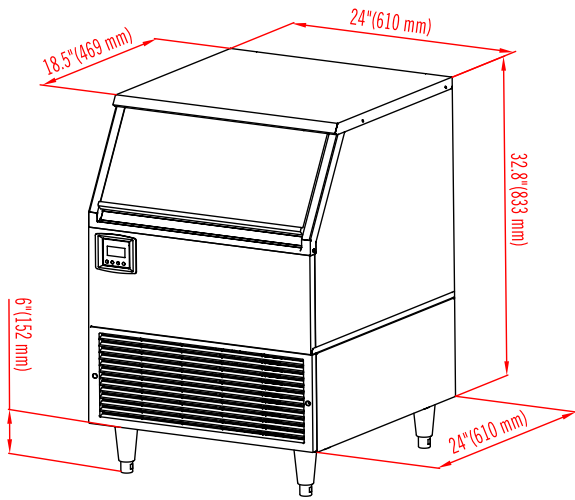


Zero Ozone Depletion Potential

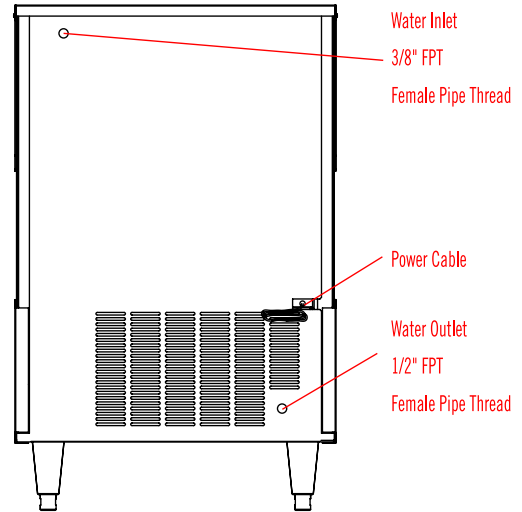
### KRATOS ICE WARRANTY (USA)

One (1) year parts and on-site labor

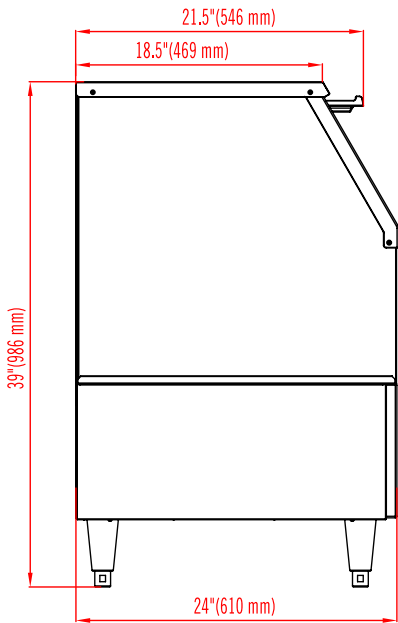
Contact Central Restaurant Products for warranty statement at  
[www.centralrestaurant.com](http://www.centralrestaurant.com) or 888.908.8051



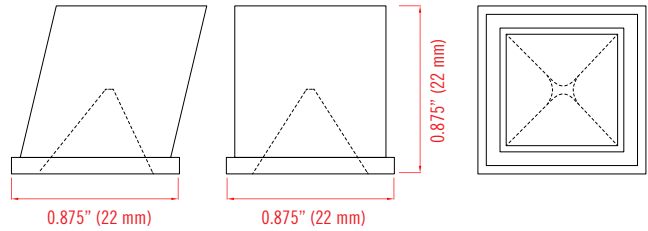
REAR VIEW



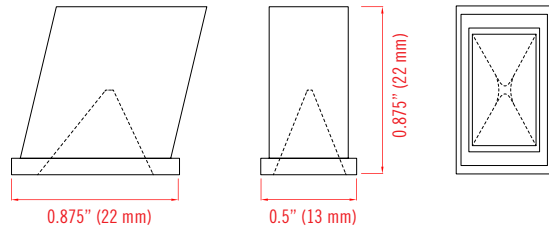
SIDE VIEW



FULL DICE CUBE (69K-908 / 69K-910)



HALF DICE CUBE (69K-909 / 69K-911)



MODEL	EXTERNAL DIMENSIONS	DAILY ICE PRODUCTION (70°F Air / 50°F Water)	ICE BIN STORAGE CAPACITY	NET WEIGHT / SHIPPING WEIGHT	AMP DRAW (MAKING / HARVESTING)	REFRIGERANT AND CHARGE SIZE	ELECTRICAL
69K-908/909	24" x 24" x 39" (610 x 610 x 986 mm)	199 lbs (90 kg)	75 lbs (34kg)	141 lbs (64 kg) 157 lbs (71.5 kg)	7A / 7.4A	R-404a 8.11oz (230g)	115V / 60Hz / 1Ph
69K-910/911	24" x 24" x 39" (610 x 610 x 986 mm)	265 lbs (120 kg)	75 lbs (34kg)	144 lbs (65 kg) 160 lbs (72.5 kg)	7.1A / 9.8A	R-404A 10.6oz (300g)	115V / 60Hz / 1Ph

## INSTALLATION

- A clearance of 2" from the wall is recommended to promote adequate cooling air circulation
- A gravity drain line is required to install this ice machine
- For optimal performance, the use of a water filter is recommended