



Project Name: _____

Location: _____

Item #: _____ Qty: _____

Model: _____

SELF-CONTAINED ICE MACHINES

MODEL: 69K-912 69K-913



Kratos Ice self-contained, air-cooled ice machines are perfect for any freestanding or built-in application. Available in both full or half dice cubes, each unit features a sanitary self-contained storage bin. The durable stainless steel and black trim exterior is easy to clean and service. The digital controls and front-breathing design with vertical evaporator will deliver years of reliable ice production.

FEATURES AND CONSTRUCTION

- Stainless steel, black trim exterior
- Air-cooled compressor
- Programmable, user-friendly digital controls
- Digital screen displays ice machine status
- Automatic cleaning cycle and bin overflow prevention
- Internal blue LED light
- 6" adjustable leveling legs
- Includes ice scoop with internal scoop holder
- Antimicrobial agent within polyethylene storage bin liner for improved sanitation

DAILY ICE PRODUCTION

Air Temp 70°F (21°C) / Water Temp 50°F (10°C)
69K-912/ 69K-913 328 lbs (148 kg)

Air Temp 90°F (32°C) / Water Temp 70°F (21°C)
69K-912/ 69K-913 244 lbs (111 kg)

ICE BIN STORAGE CAPACITY

69K-912/ 69K-913 100 lbs (45 kg)

OPERATING REQUIREMENTS

Ambient Air Temperature Range..... 50° to 100°F (10° to 38°C)

Water Temperature Range 41° to 90°F (5° to 32°C)

Water Usage per 100 lbs of ice..... 13.3 Gallons (50L)

Water Supply Line Connection 3/8" FPT

Water Pressure Range:

Min PSI..... 15 Max PSI80*

Min Bar 1.0 Max Bar5.5

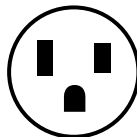
*Above 80 PSI requires a regulator

Energy Consumption per 100 lbs of ice:

69K-912/ 69K-913 6.89 kWh/100 lbs

ELECTRIC

115V / 60Hz / 1Ph
International voltage available
6' (2m) NEMA 5-15P cord set included



NEMA 5-15P

3RD PARTY APPROVALS



Certified to ANSI NSF 12



Certified to ANSI UL 563



DOE 2018 Compliant

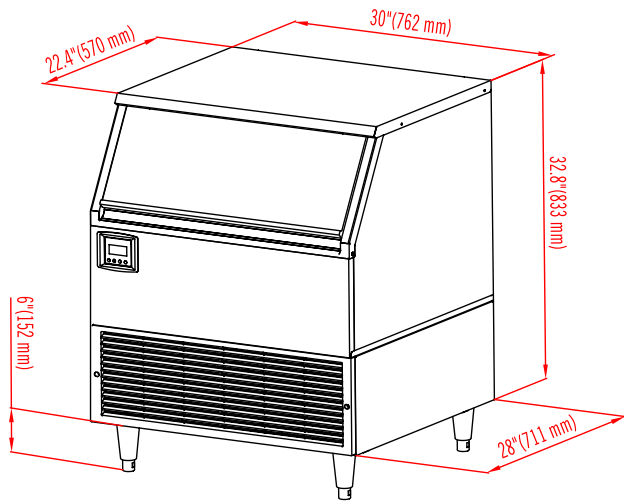


Zero Ozone Depletion Potential

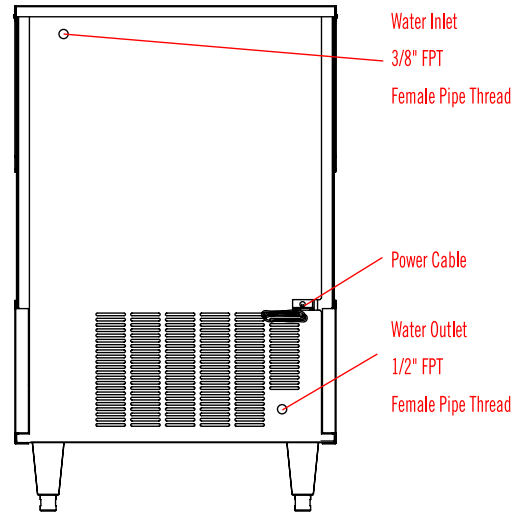
KRATOS ICE WARRANTY (USA)

One (1) year parts and on-site labor

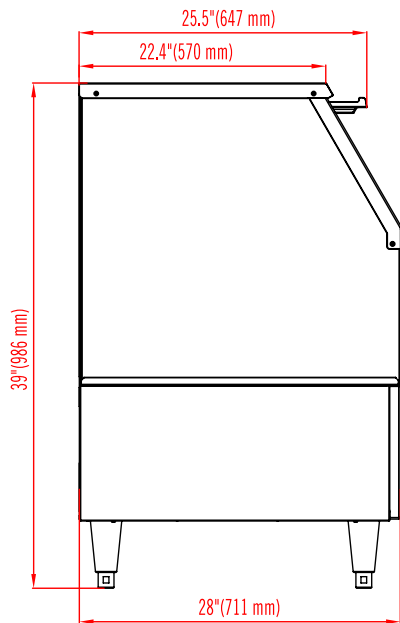
Contact Central Restaurant Products for warranty statement at
www.centralrestaurant.com or 888.908.8051



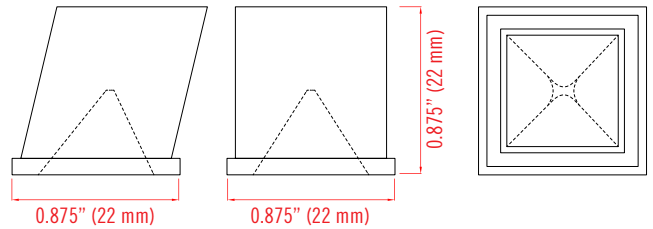
REAR VIEW



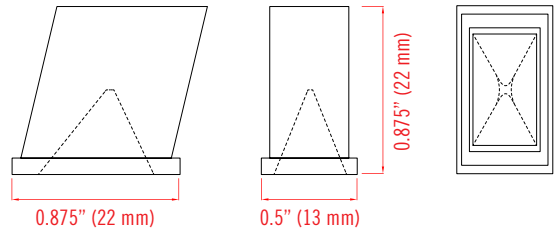
SIDE VIEW



FULL DICE CUBE (69K-912)



HALF DICE CUBE (69K-913)



| MODEL | EXTERNAL DIMENSIONS | DAILY ICE PRODUCTION (70°F Air / 50°F Water) | ICE BIN STORAGE CAPACITY | NET WEIGHT / SHIPPING WEIGHT | AMP DRAW (MAKING / HARVESTING) | REFRIGERANT AND CHARGE SIZE | ELECTRICAL |
|-------------|---|--|--------------------------|--------------------------------------|--------------------------------|-----------------------------|-------------------|
| 69K-912/913 | 30" x 28" x 39" (762 x 711 x 986 mm) | 328 lbs (148 kg) | 100 lbs (45 kg) | 148 lbs (67 kg) 164 lbs (74.4 kg) | 8A / 9A | R-404a 12.5 oz (354g) | 115V / 60Hz / 1Ph |

INSTALLATION

- A clearance of 2" from the wall is recommended to promote adequate cooling air circulation
- A gravity drain line is required to install this ice machine
- For optimal performance, the use of a water filter is recommended