



Project Name: _____

Location: _____

Item #: _____ Qty: _____

Model: _____

MODULAR ICE MACHINES - 30" WIDE

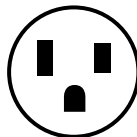
MODEL: 69K-917 69K-918



Designed to fit perfectly with the IMBIN470 Bin (sold separately)

ELECTRIC

115V / 60Hz / 1Ph
International voltage available
6' (2m) NEMA 5-15P cord set included



NEMA 5-15P

3RD PARTY APPROVALS



Certified to ANSI NSF 12



Certified to ANSI UL 563



DOE 2018 Compliant



Meets Energy Star Guidelines

KRATOS ICE WARRANTY (USA)

One (1) year parts and on-site labor

Contact Central Restaurant Products for warranty statement at
www.centralrestaurant.com or 888.908.8051

Kratos Ice modular, air-cooled ice machines are designed for high volume ice production application. The modular units are compatible with most ice storage bins and beverage dispensers. Available in both full or half dice cubes, the stainless steel and black trim exterior features a hinged front panel for easy cleaning and servicing. The digital controls, vertical evaporator and proven ice making technology will deliver years of reliable ice production.

FEATURES AND CONSTRUCTION

- Stainless steel, black trim exterior
- Air-cooled compressor
- Programmable, user-friendly digital controls
- Digital screen displays ice machine status
- Automatic cleaning cycle and bin overflow prevention
- Power for unit also illuminates the internal LED light in storage bin (IMBIN470 - sold separately)
- Hinged front panel for easy cleaning and service
- Units are stackable for increased ice production (optional adapter is required)

DAILY ICE PRODUCTION

Air Temp 70°F (21°C) / Water Temp 50°F (10°C)

69K-917 521 lbs (236 kg)

69K-918 513 lbs (233 kg)

Air Temp 90°F (32°C) / Water Temp 70°F (21°C)

69K-917 381 lbs (173 kg)

69K-918 385 lbs (175 kg)

OPERATING REQUIREMENTS

Ambient Air Temperature Range..... 50° to 100°F (10° to 38°C)

Water Temperature Range..... 41° to 90°F (5° to 32°C)

Water Usage per 100 lbs of ice..... 13.12 Gallons (50L)

Water Supply Line Connection 3/8" FPT

Water Pressure Range:

Min PSI..... 15 Max PSI 80*

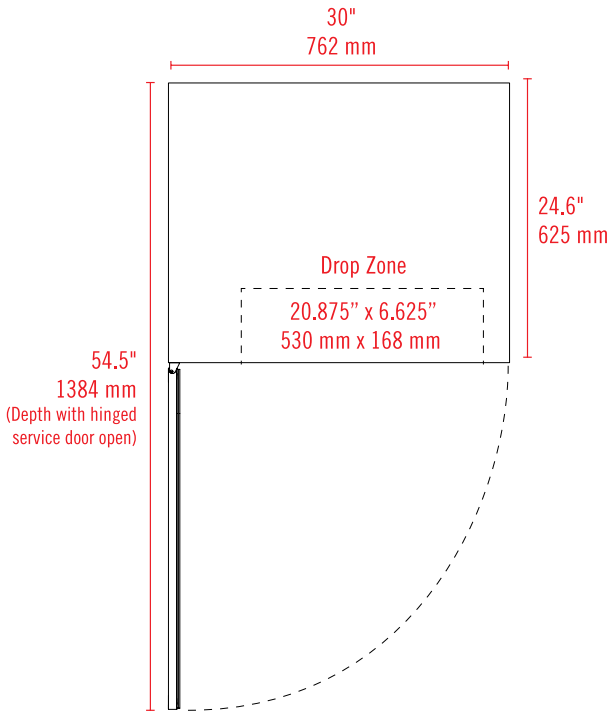
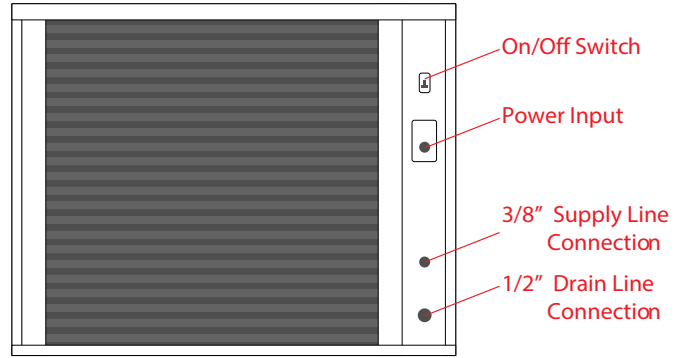
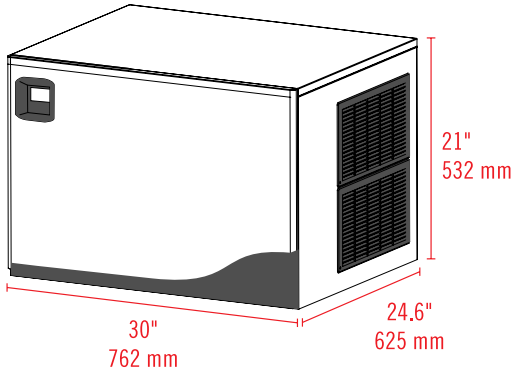
Min Bar 1.0 Max Bar 5.5

*Above 80 PSI requires a regulator

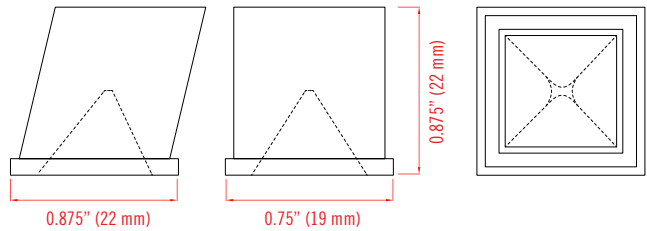
Energy Consumption per 100 lbs of ice:

69K-917 4.9 kWh/100 lbs

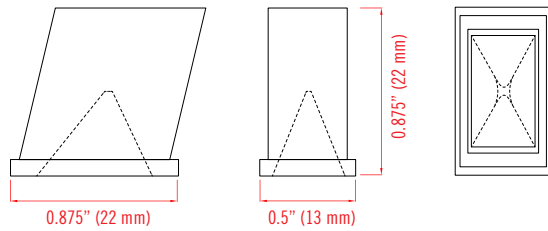
69K-918 4.9 kWh/100 lbs



FULL DICE CUBE (69K-917)



HALF DICE CUBE (69K-918)



MODEL	EXTERNAL DIMENSIONS	DAILY ICE PRODUCTION (70°F Air / 50°F Water)	COMPATIBLE ICE STORAGE BIN	NET WEIGHT / SHIPPING WEIGHT	AMP DRAW (MAKING / HARVESTING)	REFRIGERANT AND CHARGE SIZE	ELECTRICAL
69K-917	30" x 24.6" x 21" (762 x 625 x 532 mm)	521 lbs (236 kg)	69K-919	130 lbs (59 kg) 148 lbs (67 kg)	7A / 9.3A	R-404a 24.5oz (695g)	115V / 60Hz / 1Ph
69K-918	30" x 24.6" x 21" (762 x 625 x 532 mm)	513 lbs (233 kg)	69K-919	130 lbs (59 kg) 148 lbs (67 kg)	7A / 9.3A	R-404a 24.5oz (695g)	115V / 60Hz / 1Ph

INSTALLATION

- A clearance of 2" from the wall is recommended to promote adequate cooling air circulation
- A gravity drain line is required to install this ice machine
- For optimal performance, the use of a water filter is recommended