



Specifications

F.O.B Sedalia, Missouri 65301



TS530-xx

OPTIONS:

- Fluorescent light
- Radiant heat rod w/incandescent light - 120V
- Radiant heat rod w/switch
- Special lengths or heights
- Special finish colors

Agency Listings:



DUKE MANUFACTURING CO.
 2305 N. Broadway
 St. Louis, MO 63102

800.735.3853 Toll Free
 314.231.5074 Fax
 www.dukemfg.com

Approval Stamp(s):

PRODUCT INFORMATION:

PROJECT: _____

ITEM: _____

QUANTITY: _____

MODEL: Foodshields - Designer Series - Buffet Style

Fits: Thurmaduke Steamtable, Aeroserv, Thurmaduke Serving Systems

- TS530-32 / TS530-32-1SN
 - TS530-46 / TS530-46-1SN
 - TS530-60 / TS530-60-1SN
 - TS530-74 / TS530-60-1SN
 - TS530-88 / TS530-88-1SN
- Buffet Style - 2-Sided /
Buffet Style - 1-Sided

TOP SHELF:

- All edges flanged down
- 18 gauge stainless steel or paint grip steel
- Choice of (12) powder coat paint colors (must choose one):

- | | |
|---|--|
| <input type="checkbox"/> #217105 - Bright White | <input type="checkbox"/> #217103 - Natural Almond |
| <input type="checkbox"/> #217150 - Orange | <input type="checkbox"/> #217154 - Racing Red |
| <input type="checkbox"/> #217107 - Hollyberry Red | <input type="checkbox"/> #217120 - Sky Blue |
| <input type="checkbox"/> #217127 - Fence Green | <input type="checkbox"/> #217152 - Stone Gray |
| <input type="checkbox"/> #217102 - Silver Hammer | <input type="checkbox"/> #217113 - Brown Kickplate |
| <input type="checkbox"/> #217101 - Semi-Gloss Black | <input type="checkbox"/> #217125 - Textured Black |

ENDS:

- 18 gauge stainless steel or choice of 12 powder coat colors

GUARDS:

- Flip-up 1/4" clear acrylic foodshield
- Self service style
- Clear acrylic enclosures both ends

SIZES:

- All units available in following lengths
 31-3/4", 45-3/4", 59-3/4", 73-3/4", 87-3/4"

SHORT FORM SPECIFICATIONS:

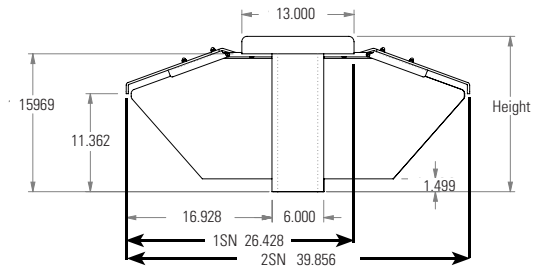
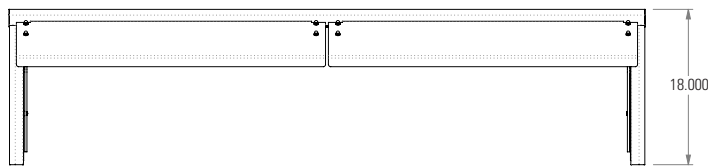
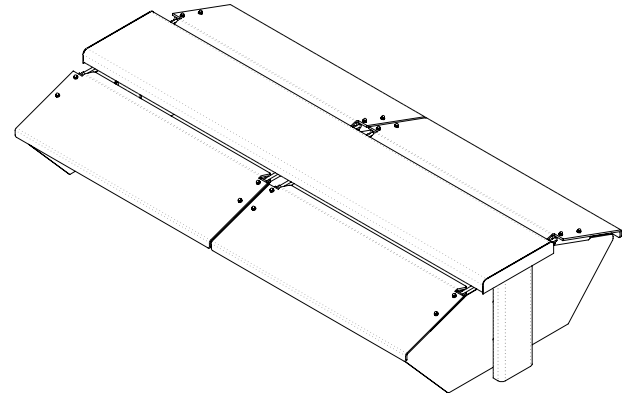
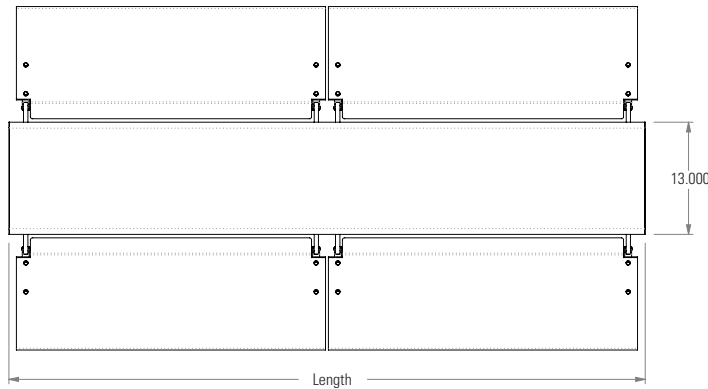
Foodshield - TS530-xx Buffet Style - 2-sided, with flip-up acrylic guards, stainless steel or painted top and end panels. 13" wide shelf.

TS530-xx-1SN -1 sided, with flip-up acrylic, stainless steel or painted top and end panels. 13" wide shelf.

NSF Updates: (1) Made end guard deeper and taller. (2) Made front guards deeper

FOODSHIELD - DESIGNER SERIES

- ☐ TS530-32 / TS530-32-1SN
- ☐ TS530-46 / TS530-46-1SN
- ☐ TS530-60 / TS530-60-1SN Buffet Style - 2-Sided / Buffet Style - 1-Sided
- ☐ TS530-74 / TS530-60-1SN
- ☐ TS530-88 / TS530-88-1SN



DIMENSIONS:

Buffet Style - 2-sided /for Single (1SN), w/flip-up acrylic, stainless steel or painted top, painted or stainless end panels 18"height

Freight Class: 125

Model	Length		Height		Width		Weight		Cube ft. Crated	Model	Length		Height		Width		Weight		Cube Ft. Crated
	in	cm	in.	cm	in.	cm	lbs.	kg			in.	cm	in.	cm	in.	cm	lbs.	kg	
TS530-32	32	81.3	18	45.7	39.856	101.2	50	22.7	19.3	TS530-32-1SN	32	81.3	18	45.7	26.428	67.1	35	15.9	14.6
TS530-46	46	116.8	18	45.7	39.856	101.2	58	26.4	26.3	TS530-46-1SN	46	116.8	18	45.7	26.428	67.1	42	19.1	19.9
TS530-60	60	152.4	18	45.7	39.856	101.2	78	35.5	33.4	TS530-60-1SN	60	152.4	18	45.7	26.428	67.1	60	27.3	25.3
TS530-74	74	188.0	18	45.7	39.856	101.2	108	49.1	40.5	TS530-74-1SN	74	188.0	18	45.7	26.428	67.1	88	40.0	30.7
TS530-88	88	223.5	18	45.7	39.856	101.2	128	58.2	47.6	TS530-88-1SN	88	223.5	18	45.7	26.428	67.1	118	53.6	36.0



DUKE MANUFACTURING CO.

2305 N. Broadway
St. Louis, MO 63102

800.735.3853 Toll Free
800.231.1130 In Missouri
314.231.5074 Fax
www.dukemfg.com

Specification subject to change