



Specifications

F.O.B Sedalia, Missouri 65301



DPAH-3M

OPTIONS:

- False Bottom
- Beaded openings, 12" x 20"
- Tray shelves
- Fluorescent lights
- Incandescent bullet lights
- Adapter bars
- Legs in lieu of casters
- Body latches
- Tray shelf on end

AGENCY LISTINGS:



[Click here to buy now!](#)



1-866-285-1252

DUKE MANUFACTURING CO.
2305 N. Broadway
St. Louis, MO 63102

800.735.3853 Toll Free
314.231.5074 Fax
www.dukemfg.com

SS-DM-00042-EMB-04

Approval Stamp(s):

PRODUCT INFORMATION:

PROJECT: _____

ITEM: _____

QUANTITY: _____

MODEL:

Econo Mate™ Buffet Units - Mechanically Assisted Ice Pans

- DPAH-2M** Portable 26" liner
- DPAH-3M** Portable 40" liner
- DPAH-4M** Portable 54" liner

BODY:

- Heavy gauge paint grip steel
- Choice of (12) powder coat paint colors (must choose one)
 - #217105 - Bright White
 - #217103 - Natural Almond
 - #217150 - Orange Red
 - #217154 - Racing Red
 - #217107 - Hollyberry Red
 - #217120 - Sky Blue
 - #217127 - Fence Green
 - #217152 - Stone Gray
 - #217102 - Duke Silver
 - #217113 - Brown Kickplate
 - #217101 - Semi Gloss Black
 - #217125 - Textured Black
- Heavy gauge; 300 Series stainless steel top
- Clear plexiglass canopy, with black powder coat steel brackets with end enclosures

BASES:

- Closed base with doors
- 5" NSF listed black swivel casters, 2 with locks

COLD PAN COMPARTMENT:

- Fully insulated stainless steel pan
- 5" deep liner with 1" brass drain and plug
- Width of liner 19-7/8"

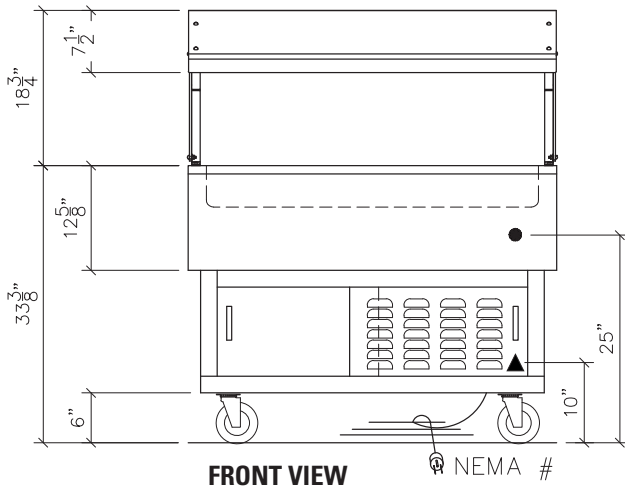
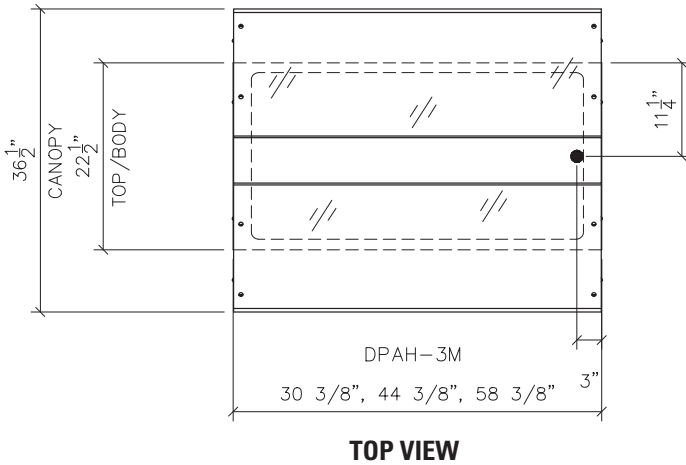
REFRIGERATION:

- Copper oils attached to bottom of s/s liner
- Open angle- iron base in compressor compartment
- R134A refrigerant
- On/Off switch
- Six foot cord with plug - NEMA 5-15
- Five year warranty on compressor motor

SHORT FORM SPECIFICATIONS:

Duke Econo Mate Buffet Units - Mechanically Assisted Ice Pan Units. Portable Buffet with heavy gauge painted steel bodies, closed style, with 300 series stainless steel heavy gauge tops, sectional 5"D mechanically cooled s/s cold pans w/ drain, enclosed steel base w/powder coat finish & sliding doors, clear acrylic canopy, 5" NSF approved black casters, 2 w/ locks, 6' cord & plug. Table top models NOT available.

Econo Mate®

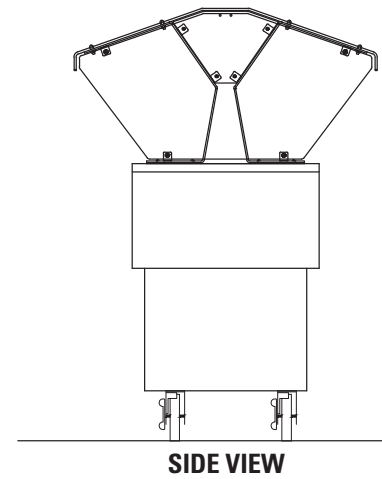


Econo Mate Buffet Units Mechanically Assisted Ice Pans

- DPAH-2M** Portable 26" liner
- DPAH-3M** Portable 40" liner
- DPAH-4M** Portable 54" liner

NOT AVAILABLE IN TABLE TOP MODELS

LEGEND	
▲	ELECTRICAL CONNECTION
●	DRAIN LOCATION
R134A refrigerant	



DIMENSIONS:

FREIGHT CLASS: 100

Model	Length		Width		Height		Liner Dimensions in.			Cube ft. Crated	Weight	
	in.	cm	in.	cm.	in.	cm	L	W	D		lbs.	kg
DPAH-2M	30-3/8	77.2	22-1/2	57.2	33-3/8	84.8	26	19-7/8	5	23.1	244	110.9
DPAH-3M	44-3/8	112.8	22-1/2	57.2	33-3/8	84.8	40	19-7/8	5	32.0	291	132.3
DPAH-4M	58-3/8	148.3	22-1/2	57.2	33-3/8	84.8	54	19-7/8	5	40.9	322	146.4

ELECTRICAL SPECIFICATIONS:

Model	120 Volt		
	HP	Amps	NEMA
DPAH-2M	1/5	4.2	5-15
DPAH-3M	1/5	4.2	5-15
DPAH-4M	1/4	5.2	5-15



DUKE MANUFACTURING CO.
2305 N. Broadway
St. Louis, MO 63102

800.735.3853 Toll Free
800.231.1130 In Missouri
314.231.5074 Fax
www.dukemfg.com

Specification subject to change