



Your Solutions Partner

Specifications

F.O.B St. Louis, Missouri 63102



ES-7201A

Click here to buy now!



1-866-285-1252

OPTIONS:

- Stainless steel feet - **ES-SS-FT**
- Casters, swivel, two w/locks, 5" diameter, rubber tires - **CAWT**
- Casters swivel, two w/locks, 5" diameter, polyurethane tires - **CAWT**
- Special height cutting board

AGENCY LISTING:



DUKE MANUFACTURING CO.
2305 N. Broadway
St. Louis, MO 63102

800.735.3853 Toll Free
314.231.1130 In Missouri
314.231.5074 Fax
www.dukemfg.com

SS-DM-00221-AW-10

Approval Stamp(s):

PRODUCT INFORMATION:

PROJECT: _____

ITEM: _____

QUANTITY: _____

MODEL:

Duke Worktables - Equipment Stands

- ES-7201A** 30" top width, S/S top, galvanized, undershelf, legs & feet
- ES-7201A** 36" top width, S/S top, galvanized, undershelf, legs & feet
- ES-7202A** 30" top width, S/S top, undershelf, legs & feet
- ES-7202A** 36" top width, S/S top, undershelf, legs & feet

TOP:

- 14 gauge, 300 Series stainless steel
- Edges down 1-1/2" at 90° on operator's side
1-1/2" up at 90° on rear & both ends
- Reinforced w/heavy gauge galvanized hat channels full length of top
- Vinyl cushion between channels and underside of top for sound-deadening

LEGS:

- Heavy gauge hat channels
- 1-5/8" OD 16 gauge galvanized or S/S tubular legs
- Adjustable bullet feet - plastic for galv. legs-stainless steel for S/S legs
- Heavy gauge leg sockets

CARVING BOARD:

- Hardwood - 10" wide x 1-1/8" thick x length of stand
- Heavy duty brackets - 3/4" square tubing
- Removable without use of tools
- 72" or longer carving boards to have center support

ADJUSTABLE UNDERSHELF:

- Heavy gauge galvanized or S/S (Specify)
- Die-formed corners in reinforced castings
- Set screws to lock in place

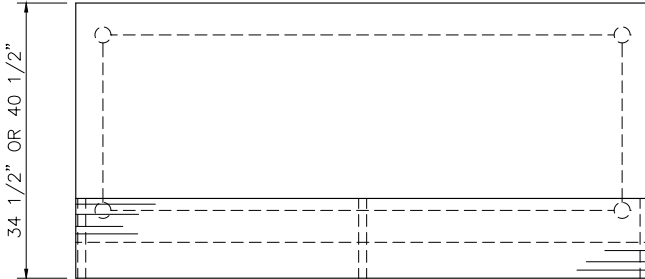
SHORT FORM SPECIFICATIONS:

Duke Worktables - Equipment Stands. Top shall be constructed of 14 gauge, 300 Series stainless steel, with edge on operator's side turned down 1-1/2" at 90°. The rear edge and both ends to be turned up 1-1/2" at 90°. Top reinforced with heavy gauge galvanized hat channels running full length to top. Top sound deadened with vinyl cushion between channels and underside of top. Body to have heavy gauge leg sockets welded securely to hat channels and designed to provide maximum rigidity to the 1-5/8" OD, 16 gauge galvanized or stainless steel tubular legs fitted with adjustable bullet feet of like material. Equipment stands 72" and longer will have six legs. A hardwood carving board 10"W x 1-1/8" thick by length of stand shall be mounted on heavy duty brackets of 3/4 square tubing bolted to top, and flush with end of table. The carving board is removable without the use of tools. 72" or longer carving board to have center support. The adjustable undershelf shall be constructed of heavy gauge galvanized or heavy gauge stainless steel with die-formed corners to form a tight sanitary contact with legs and lock in place with set screws to any height user desires. If shelf is adjusted to less than 6" from floor, unit will not be NSF approved

Aerohot®

DUKE WORKTABLES EQUIPMENT STANDS

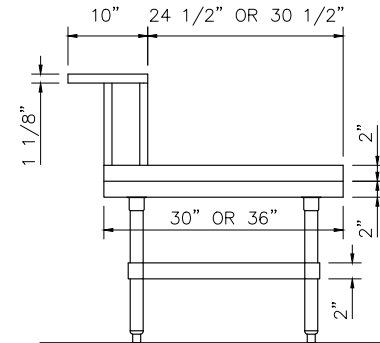
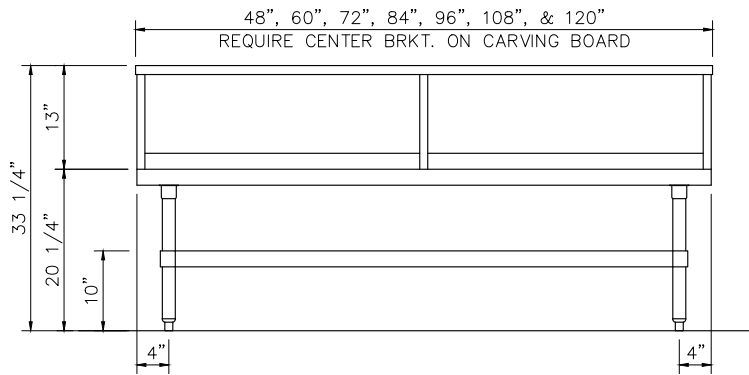
- ES-7201A** 30" top width, S/S top, galvanized, undershelf, legs & feet
- ES-7201A** 36" top width, S/S top, galvanized, undershelf, legs & feet
- ES-7202A** 30" top width, S/S top, undershelf, legs & feet
- ES-7202A** 36" top width, S/S top, undershelf, legs & feet



When specifying, use model number and length + width.

Examples:

ES7201A-7230 or ES7202A-6036



DIMENSIONS:

Stainless Top, Galvanized Adjustable Undershelf, Galvanized Legs and Feet.

Freight Class: 70

Model No.	Top Width		Unit Height		Cube Feet Crated						
	in	cm	in	cm	48" 121.9 cm	60" 152.4 cm	72" 182.9 cm	84" 213.4 cm	96" 243.8 cm	108" 274.3 cm	120" 304.8 cm
ES-7201A	30	76.2	33-1/4	84.5	32.7	40.5	48.4	56.2	64.1	71.9	79.7
ES-7201A	36	91.4	33-1/4	84.5	38.8	48.1	57.4	66.8	76.1	85.4	94.7

Stainless Top, Stainless Steel Adjustable Undershelf, Legs and Feet

Freight Class: 70

Model No.	Top Width		Unit Height		Cube Feet Crated						
	in	cm	in	cm	48" 121.9 cm	60" 152.4 cm	72" 182.9 cm	84" 213.4 cm	96" 243.8 cm	108" 274.3 cm	120" 304.8 cm
ES-7202A	30	76.2	33-1/4	84.5	32.7	40.5	48.4	56.2	64.1	71.9	79.7
ES-7201A	36	91.4	33-1/4	84.5	38.8	48.1	57.4	66.8	76.1	85.4	94.7

DUKE MANUFACTURING CO.

2305 N. Broadway
St. Louis, MO 63102

800.735.3853 Toll Free
800.231.1130 In Missouri
314.231.5074 Fax
www.dukemfg.com

