



Job: \_\_\_\_\_

Item No. \_\_\_\_\_

## DESIGNED FOR MEDIUM VOLUME APPLICATIONS 8 Gallons per Hour – 20 Quart Capacity

### HIGH CAPACITY WITH 110 VOLT CONVENIENCE!

The **SaniServ** model 707 Frozen Beverage Freezer is a customer favorite! Its sleek single barrel profile has the ability to offer many types of slush beverages! Choose from frozen margaritas and daiquiris to frozen fruit flavor drinks such as frozen lemonade and fruit smoothies. The 707 is a must have for the customer looking for an affordable way to offer all of their favorite beverages frozen!

### SPACE SAVING

**Small Footprint Design - SaniServ** model 707 saves valuable floor space and turns the bar or countertop into a real profit center. By offering the finest quality of frozen drinks each time, every frozen beverage is consistent from the first to the last!

### EASY CLEANING AND OPERATION

**Fewer Parts = Simplified Cleaning – SaniServ** equipment is designed and built with the fewest parts to be disassembled, cleaned and sanitized than any other machine in the industry. The state of the art solid-state **AccuFreeze** control insures product consistency, worry-free operation and customer satisfaction.

### HIGH RETURN ON INVESTMENT

**Increased Profits – SaniServ** machines combine affordable efficiency with consistent product quality and fast, quiet operation to insure customer satisfaction with high profit frozen beverages.

### QUALITY DESIGN

**Durability – SaniServ** machines are built to achieve long and dependable life through simplicity of design. Every machine is shipped standard with a stainless steel exterior, durable steel interior frame construction, heavy-duty components and consistency systems.

# Model 707

Counter Model

## Frozen Beverage Machine With **AccuFreeze** Control

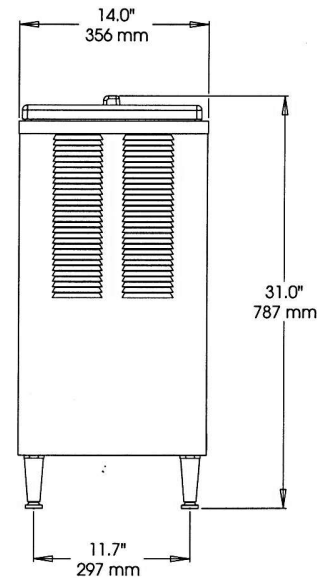
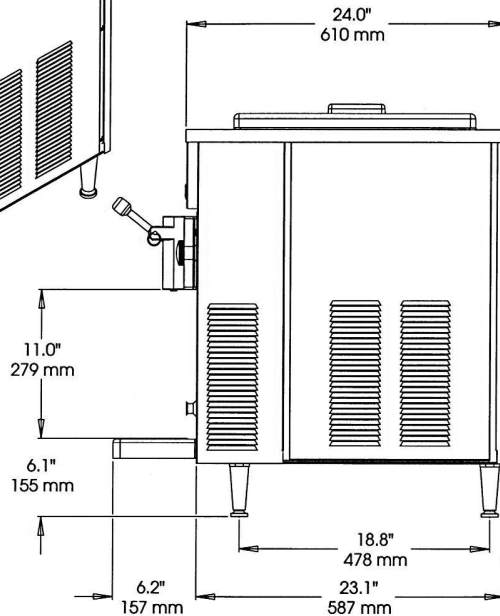
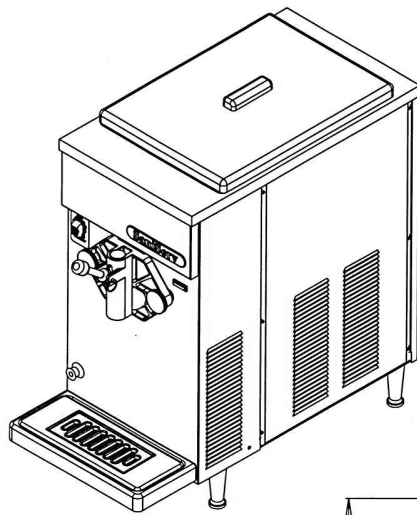


Made in USA

We reserve the right to change specifications and product designs without notice. Such revisions do not entitle the buyer to corresponding changes, improvements, additions or replacements for previously purchased equipment.

# MODEL 707

## Counter Model Frozen Beverage/Cocktail Freezer



Minimum Wall Clearance  
Both Sides and Back -  
6 inches (152 mm)

| ELECTRICAL              |    |     |      | WIDTH       | HEIGHT      | DEPTH       | WEIGHT    | VOLUME          |
|-------------------------|----|-----|------|-------------|-------------|-------------|-----------|-----------------|
| VOLTS                   | Hz | Ph. | Amps | INCHES (MM) | INCHES (MM) | INCHES (MM) | LBS. (Kg) | CU FT. (cu. m.) |
| 115                     | 60 | 1   | 15   | 14 (356)    | 31 (787)    | 24 (610)    | 159 (72)  |                 |
| Shipping Specifications |    |     |      | 22.5 (572)  | 33.5 (851)  | 34.5 (876)  | 210 (95)  | 18.1 (.51)      |

### Specifications:

**Cooling System:**  
Air Only

**Dasher and Compressor Motors:**  
1/4 HP Dasher  
1/2 HP Compressor

**Refrigerant Type:**  
R404A

**Listings:**  
UL, NSF

### Features:

**Evaporator and Mix Reservoir**  
**Capacity:**  
20 Quarts (18.9 liters)

**Dasher:**  
Heavy-Duty Stainless Steel with low friction scraper blades.

**Controls:**  
**AccuFreeze** solid-state control for accurate product consistency.

**Solid State Audio/Visual Mix Out System with Compressor Lockout**

### Warranty:

Parts 1 year  
Compressor 5 years  
Evaporator 5 years

### Options:

Tune Up Kit  
Parts Tray  
Drink Spinner  
Syrup Rail  
Counter Top Mounting Pad Machine Stand  
Wash Out Kit – 3/8" Flare Fitting  
Export Voltages