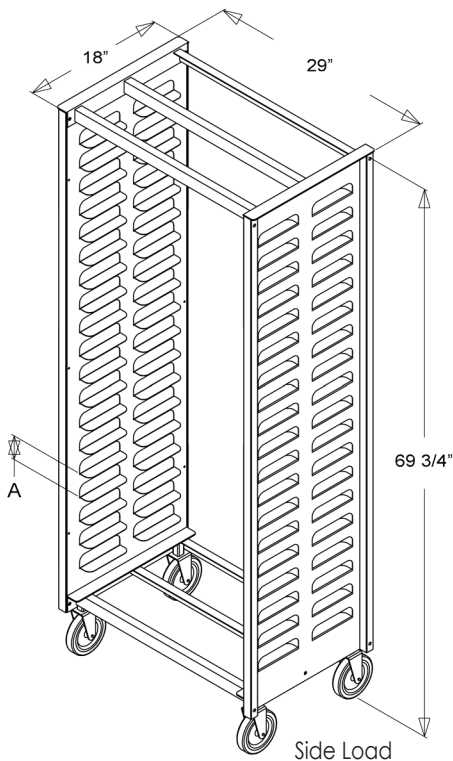
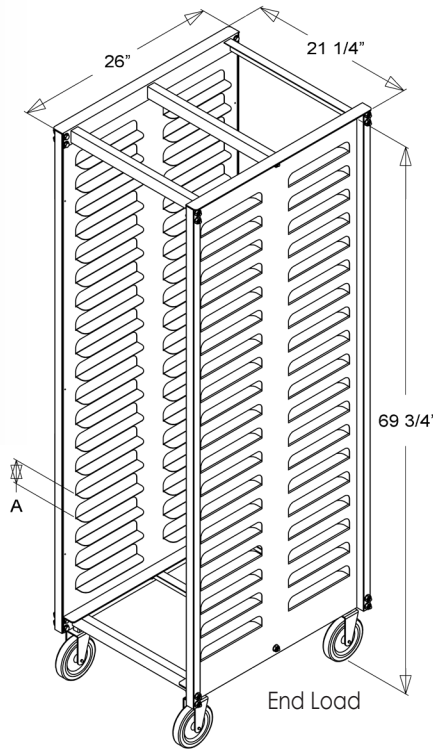


NEW!

- **Solid Sheet Uprights**
- **Laser Cut, Bent Slides**
1 1/2" W
- **Holds**
Standard 18" x 26" Sheet Pans
- **5" Swivel Stem Casters (CV)**
- **"KD" Knock Down Rack**
Ships UPS in One Box
Assembles with 12 Fasteners
- **"A" Fully Assembled Rack**
Ships LTL
- **Optional**
Locking Casters (CL)
Heavy-Duty Swivel Casters (CHV)
Heavy-Duty Locking Casters (CHL)
Pan Stop (PS)
Covers
End Load (VYRE-C)
Side Load (VYRS-C)



L-Series Assembled & "KD" Knock Down Pan Racks					
Model Number	Add to Suffix		Description	"A" Shelf Spacing	Pan Capacity
LE3018	KD	A	End Load	3"	20
LE4018	KD	A	End Load	4"	15
LE5018	KD	A	End Load	5"	12
LE6018	KD	A	End Load	6"	10
LS3026	KD	A	Side Load	3"	20
LS4026	KD	A	Side Load	4"	15
LS5026	KD	A	Side Load	5"	12
LS6026	KD	A	Side Load	6"	10

Options: "CL", "CHV", "CHL", "PS" - see page 81 for details.
Optional Covers: see page 79 for specifications - call for quote.