



PO Box 575 • 2620 Industrial Avenue • Fairbury, Nebraska 68352  
Phone: 800-554-7267 • Fax: 402-729-4058 • www.PVIFS.com

Model \_\_\_\_\_

Quantity \_\_\_\_\_

Job No. \_\_\_\_\_

Options  Yes \_\_\_\_\_

## Utility Carts

### Efficiently Transport your Products with Our Utility Cart!

Easily move a variety of supplies and large loads throughout your facility with this three shelf utility cart. Manufactured from 12 gauge aluminum, each shelf is adjustable and constructed with our new corner clip assembly. An ergonomically designed handle provides comfortable hand placement, improving overall control and safety. Effortlessly smooth rolling 5" swivel stem casters make maneuverability a breeze and support an overall capacity of 400 pounds. This product is offered in a variety of sizes with optional accessories to accommodate every need.

### Our Guarantee

- Like all of our American made products, this equipment stand is designed to endure.
- Each item is thoroughly inspected before it's packaged.
- Every unit carries a **Lifetime Guarantee** against rust and corrosion.
- **Three-Year Guarantee** against material defects and workmanship.

We are proud to be one of the leading American manufacturers of food service equipment and ramps. Partnering with us means that we'll solve issues others have failed to address.



*This information is for general sales use. Due to continual product improvement, all product details and prices are subject to change without notice.*

Model \_\_\_\_\_

Quantity \_\_\_\_\_

Job No. \_\_\_\_\_

Options  Yes \_\_\_\_\_

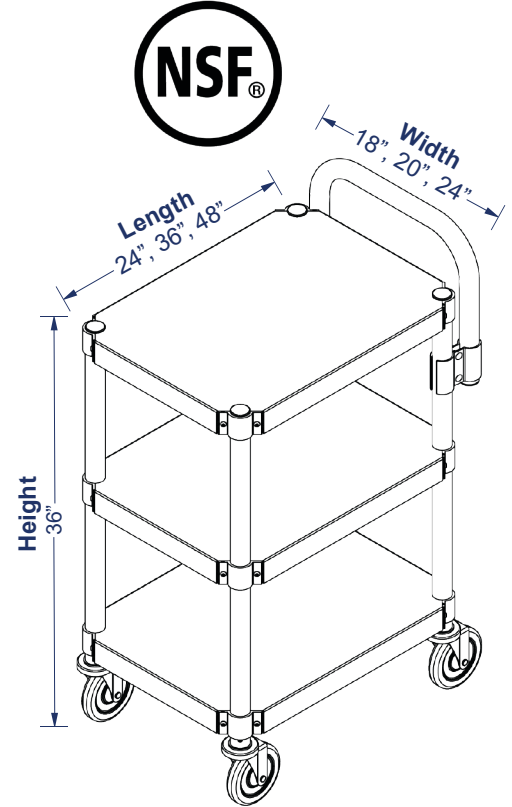
# Aluminum Three Shelf Utility

## Knock Down Cart

- Aluminum construction with adjustable shelves & handle
- Smooth, easy clean, solid shelves
- Easy corner clip assembly
- 400lb weight capacity
- Includes four 5" swivel stem casters (CV)

## Three Shelf Cart

MODEL NO.	DIMENSIONS (WxHxL)	WEIGHT (LBS)
AUC1824-3	18" X 36" X 24"	36
AUC1836-3	18" X 36" X 36"	44
AUC1848-3	18" X 36" X 48"	49
AUC2024-3	20" X 36" X 24"	40
AUC2036-3	20" X 36" X 36"	37
AUC2048-3	20" X 36" X 48"	52
AUC2424-3	24" X 36" X 24"	43
AUC2430-3	24" X 36" X 30"	41
AUC2436-3	24" X 36" X 36"	55
AUC2448-3	24" X 36" X 48"	53

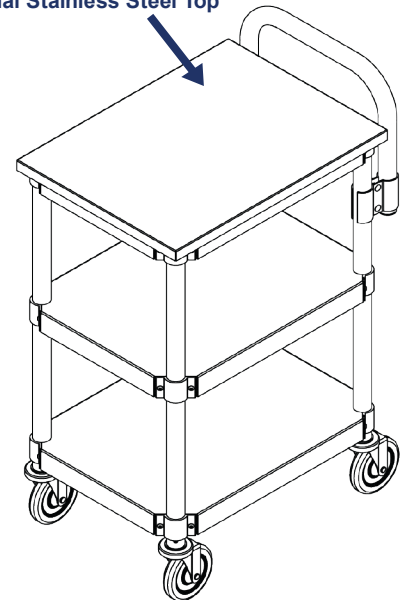


## Optional Accessories

### Stainless Top

MODEL NO.	DIMENSIONS (WxL)	COMPATIBLE MODELS
1824ST	18" X 24"	AUC1824 & AUC1824-3
1836ST	18" X 36"	AUC1836 & AUC1836-3
1848ST	18" X 48"	AUC1848 & AUC1848-3
2024ST	20" X 24"	AUC2024 & AUC2024-3
2036ST	20" X 36"	AUC2036 & AUC2036-3
2048ST	20" X 48"	AUC2048 & AUC2048-3
2424ST	24" X 24"	AUC2424 & AUC2424-3
2430ST	24" X 30"	AUC2430 & AUC2430-3
2436ST	24" X 36"	AUC2436 & AUC2436-3
2448ST	24" X 48"	AUC2448 & AUC2448-3

Optional Stainless Steel Top



### Caster Kits

MODEL NO.	PRODUCT
CL2	Two Swivel & Two Locking Stem Casters
CL4	Four Locking Stem Casters
CHV4	Four Heavy Duty Swivel Stem Casters
CHL2	Two Heavy Duty Swivel & Two Heavy Duty Locking Stem Casters
CHL4	Four Heavy Duty Locking Stem Casters

