

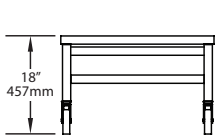


CART & STACKING STAND SPECIFICATIONS

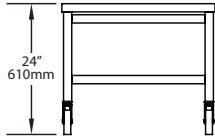
Project _____

Item No. _____

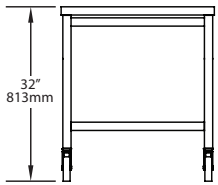
Quantity _____



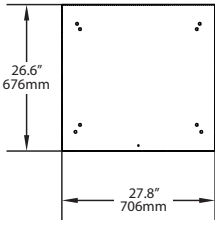
18" Oven Cart-Front



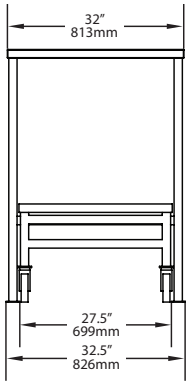
24" Oven Cart-Front



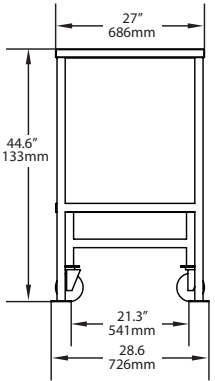
32" Oven Cart-Front



All Oven Carts-Top Shelf



Oven Stacking Stand-Front



Oven Stacking Stand-Side

PART NUMBERS

- 18" Oven Cart: NGC-1217-2
- 24" Oven Cart: NGC-1217-1
- 32" Oven Cart: NGC-1217-3
- Stacking Stand (i3 and i5, for use with 18" cart only): i5-9369

CONSTRUCTION

- Stainless steel top shelf and frame
- Integrated locking casters (Oven Carts only)

COMPATIBILITY

- C3 Oven: Remove legs and attach to inner mounting holes with provided hardware
- NGC Oven: Remove legs and attach to outer mounting holes with provided hardware
- HHB Oven: Attach to outer mounting holes with HHB Oven Cart Clamp Set (see Stacking Hardware below)
- i5 and i3 Oven: Place oven on top shelf. Oven is sealed to the top shelf via integrated rubber-base gasket

⚠ CAUTION: Seals, attachments, and locking the casters will not prevent injury or oven damage if the oven is forcefully pulled or not properly attached.

STACKING HARDWARE

⚠ CAUTION: Ovens cannot be safely stacked using 32" cart.

- C3 and NGC Stacking Bracket (P/N:TC3-0323)
- NGC Sorbothane® Stacking Mat (P/N: NGC-1342-1)
- HHB Stacking Bracket (P/N: HHB-8165)
- HHB Oven Cart Clamp Set (P/N: HHB-8206)

NOTE: See DOC-1032 for comprehensive stacking information.

OVEN DIMENSIONS WITH CARTS

Height - Single Ovens

Cart Only	NGC	C3	HHB	i5	i3
18" (457mm)	37" (940mm)	39.5" (1003mm)	38.5" (978mm)	42.3" (1074mm)	39.25" (997mm)
24" (610mm)	43" (1092mm)	45.5" (1156mm)	44.5" (1130mm)	48.3" (1227mm)	45.25" (1149mm)
32" (813mm)	51" (1295mm)	53.5" (1359mm)	52.5" (1334mm)	56.3" (1430mm)	53.25" (1353mm)

Height - Stacked Ovens

Cart Only	Top: i3 Bottom: i5	Top: i3 Bottom: i3	Top: i5 Bottom: i5	Top: i5 Bottom: i3	Top: NGC Bottom: NGC	Top: C3 Bottom: C3	Top: NGC Bottom: C3	Top: HHB Bottom: HHB	Top: HHB Bottom: C3	Top: NGC Bottom: HHB
18" (457mm)	65.85" (1673mm)	65.85" (1673mm)	68.9" (1750mm)	68.9" (1750mm)	56" (1422mm)	61" (1549mm)	58.5" (1486mm)	59" (1499mm)	60" (1524mm)	57.5" (1460mm)
24" (610mm)	-	-	-	-	62" (1575mm)	67" (1702mm)	64.5" (1638mm)	65" (1651mm)	66" (1676mm)	63.5" (1613mm)
32" (813mm)	-	-	-	-	-	-	-	-	-	-

Width - Single Ovens

Cart Only	NGC	C3	HHB	i5	i3
27.8" (706mm)	27.8" (706mm)	29" (737mm)	27.8" (706mm)	28.1" (714mm)	27.8" (706mm)

Width - Stacked Ovens

Cart Only	Top: i3 Bottom: i5	Top: i3 Bottom: i3	Top: i5 Bottom: i5	Top: i5 Bottom: i3	Top: NGC Bottom: NGC	Top: C3 Bottom: C3	Top: NGC Bottom: C3	Top: HHB Bottom: HHB	Top: HHB Bottom: C3	Top: NGC Bottom: HHB
27.8" (706mm)	32.5" (826mm)	32.5" (826mm)	32.5" (826mm)	32.5" (826mm)	27.8" (706mm)	29" (737mm)	29" (737mm)	27.8" (706mm)	29" (737mm)	27.8" (706mm)

Depth - Single Ovens

Cart Only	NGC	C3	HHB	i5	i3
26.6" (676mm)	28.2" (716mm)	32.25" (826mm)	31.5" (800mm)	31.1" (790mm)	31.25" (794mm)

Depth - Stacked Ovens

Cart Only	Top: i3 Bottom: i5	Top: i3 Bottom: i3	Top: i5 Bottom: i5	Top: i5 Bottom: i3	Top: NGC Bottom: NGC	Top: C3 Bottom: C3	Top: NGC Bottom: C3	Top: HHB Bottom: HHB	Top: HHB Bottom: C3	Top: NGC Bottom: HHB
26.6" (676mm)	31.25" (794mm)	31.25" (794mm)	31.1" (790mm)	31.25" (794mm)	28.2" (716mm)	32.25" (826mm)	32.25" (826mm)	31.5" (800mm)	32.25" (826mm)	31.5" (800mm)

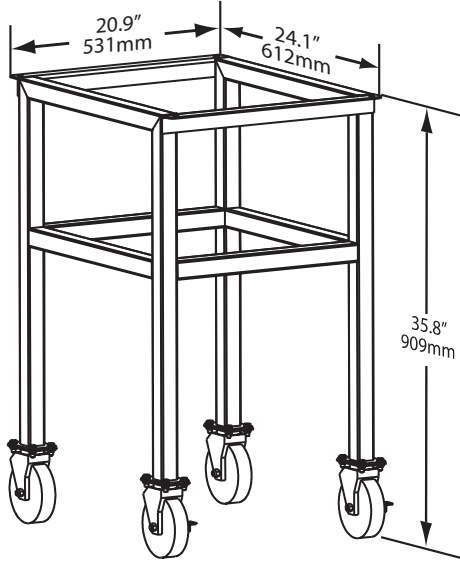


HhC 2020 OVEN CARTS

Project _____

Item No. _____

Quantity _____



HhC 2020 Oven Cart (35.8")

PART NUMBERS

- 35.8" Oven Cart: HCT-3004-1
- 23.5" Oven Cart: HCT-3004-2

CONSTRUCTION

- Stainless steel frame
- Integrated locking casters

COMPATIBILITY

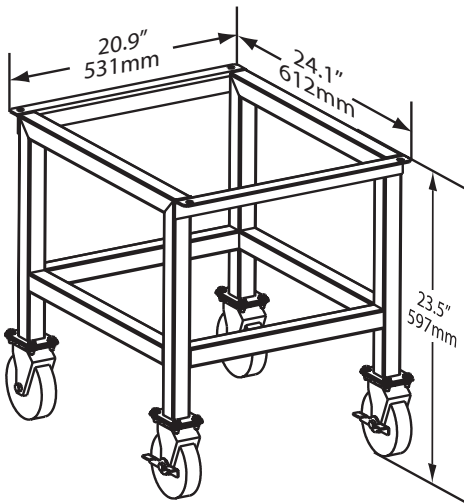
- HhC 2020 Oven: Remove legs and attach to mounting holes with provided hardware
 - 35.8" Oven Cart supports one oven
 - 23.5" Oven Cart supports two or three stacked ovens (one HCT-3001 Stacking Bracket Kit is required to stack two ovens, and two HCT-3001 kits are required to stack three ovens)

⚠ CAUTION: Attachments and locking the casters will not prevent injury or oven damage if the oven is forcefully pulled or not properly attached.

⚠ CAUTION: Ovens cannot be safely stacked using 35.8" cart.

OVEN DIMENSIONS WITH CARTS

Cart Dimensions	Width (with extensions)	Width (without extensions)	Depth	Height Single Oven	Height Double Stacked	Height Triple Stacked
Height: 35.8" (909 mm) Width: 20.9" (531 mm) Depth: 24.1" (612 mm)	60.1" (1527mm)	48.3" (1227mm)	35.7" (907mm)	48.8" (1240mm)	-	-
Height: 23.5" (597 mm) Width: 20.9" (531 mm) Depth: 24.1" (612 mm)	60.1" (1527mm)	48.3" (1227mm)	35.7" (907mm)	36.5" (927mm)	49.5" (1257 mm)	62.5" (1588mm)



HhC 2020 Oven Cart (23.5")