



Deck Mount Pre-Rinse

Model: 17-202W

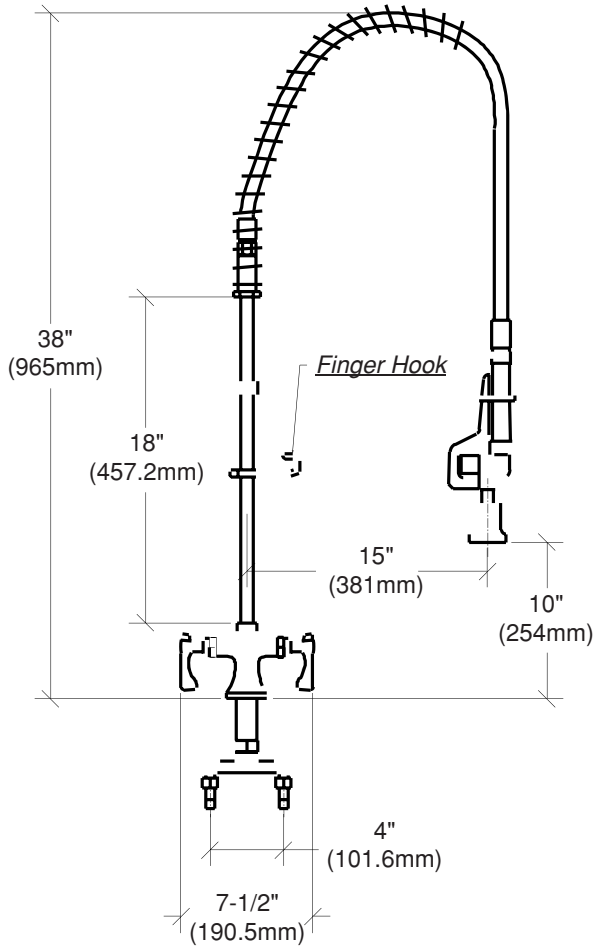
Item #: _____ Quantity: _____

Project: _____

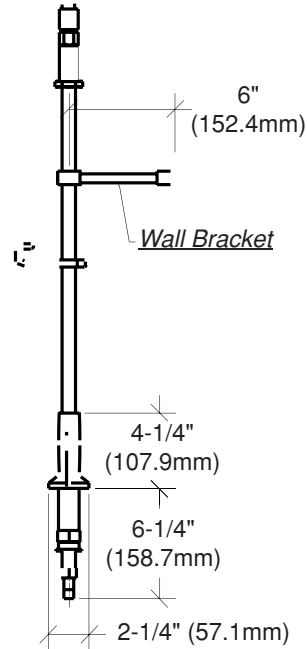


Plumbing

**QUICK
CONNECT**



Front View



Side View

FEATURES:

- 1/4 TURN HIGH PERFORMANCE CERAMIC CARTRIDGE VALVES WITH BUILT IN BACK FLOW PREVENTORS
- PRE-ASSEMBLED AT FACTORY TO CUT INSTALLATION TIME
- 44" HEAVY DUTY STAINLESS CLAD FLEXIBLE HOSE. TESTED TO 400 PSI
- WALL BRACKET INCLUDED
- FULL REPLACEMENT PARTS AVAILABLE
- 1 YEAR WARRANTY

SPECS:

- SINGLE HOLE DECK MOUNT, 1/2" NPT MALE INLETS WITH 1/4" NPT FITTINGS
- ROUGH IN: SINGLE HOLE Ø 1 1/4"
- WATER SAVER SPRAY HEAD, 1.5 GPM @ 60 PSI FLOW RATE COMPLIES WITH EPACT 2005
- 3/8" NPT x 18" RISER PIPE WITH HOOK. PRE-ASSEMBLED TO BASE AT FACTORY
- TEMP RANGE: 40°F TO 180°F
- SHIPPING WEIGHT: 13 LBS

Approved By: _____

Due to our commitment to continued product improvement, specifications are subject to change without notice.

Krowne Metal Corporation
100 Haul Road Wayne, New Jersey 07470
www.krowne.com

Phone: 800-631-0442
FAX: 973-872-1129