



ROYAL SERIES PLUMBING

WALL MOUNT POT FILLER WITH SHUT-OFF

MODEL: _____ PROJECT: _____ ITEM #: _____ QTY: _____

PRODUCT IMAGE



16-181 SHOWN

**ALSO AVAILABLE IN LOW LEAD BY
ADDING "L" TO MODEL NUMBER**

STANDARD FEATURES

- 1/4 turn high performance ceramic cartridge valve with built-in back flow preventers
- Heavy-Duty spout with double O-Ring construction and welded shoulder for durability
- High precision machining and polished nickel chromium finish
- Cross handle shut-off with swivel spout
- Full replacement parts available
- 1 Year Warranty

SPECIFICATIONS

- Single hole wall mount with 1/2" NPT male inlet
- Rough in: Single 7/8" round hole
- Temperature Range: 40°F to 180°F
- Flow rate: 2 GPM max
- Shipping weight: 5 lbs.



APPROVED BY:

CERTIFICATIONS:

Due to our commitment to continued product improvement, specifications are subject to change without notice.

Printed in the USA

Krowne Metal Corporation

100 Haul Rd. Wayne, NJ 07470 • Toll Free: (800) 631-0442 • Fax: (973) 872-1129
sales@krowne.com • www.krowne.com • www.facebook.com/KrowneMetal • www.twitter.com/KrowneMetal

Rev. 09/2011
No. 16-181

Central Restaurant Products



ROYAL SERIES PLUMBING

WALL MOUNT POT FILLER WITH SHUT-OFF

MODEL: _____ PROJECT: _____ ITEM #: _____ QTY: _____

MODELS

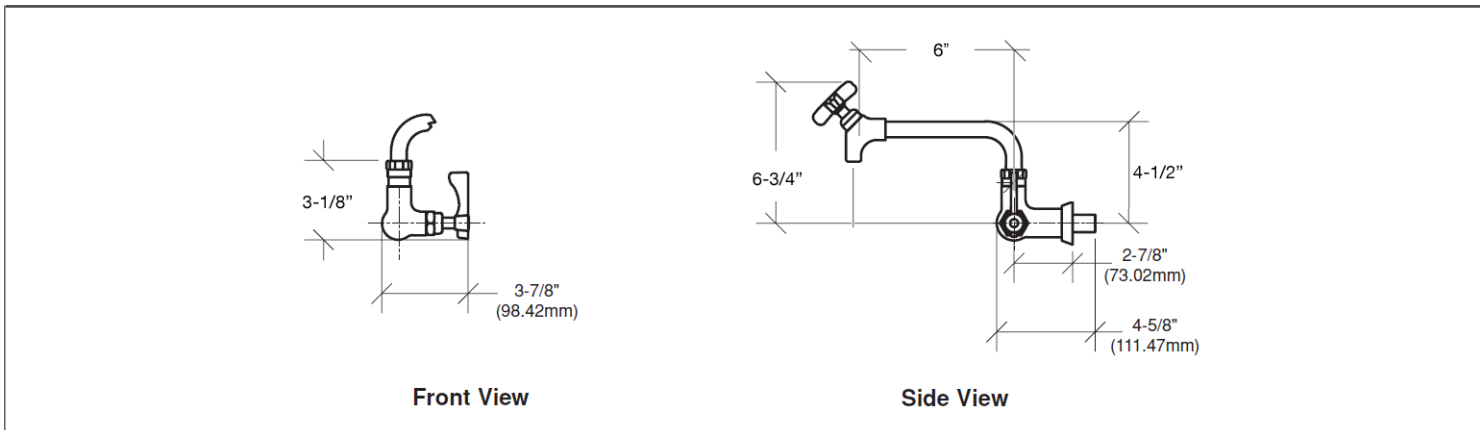
STANDARD SPOUTS

Model Numbers	Spout Size
16-178	6"

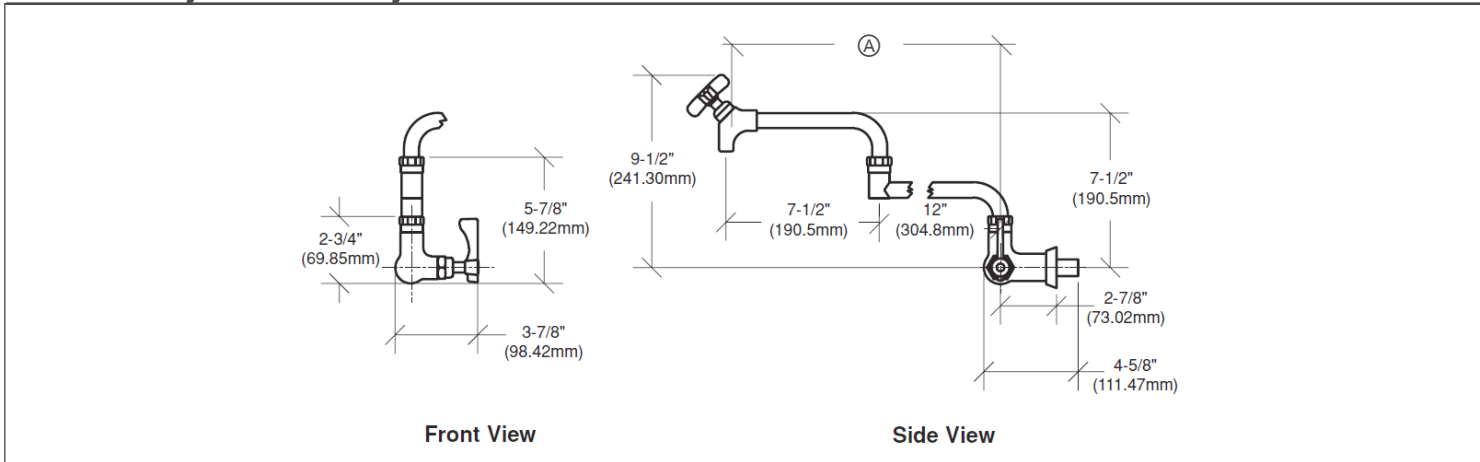
JOINTED SPOUTS

Model Numbers	Spout Size ^(A)
16-179	12"
16-181	18"
16-182	24"

16-178 DRAWING



16-179, 16-181, 16-182 DRAWING



APPROVED BY:

CERTIFICATIONS:

Due to our commitment to continued product improvement, specifications are subject to change without notice.

Printed in the USA

Krowne Metal Corporation

100 Haul Rd. Wayne, NJ 07470 • Toll Free: (800) 631-0442 • Fax: (973) 872-1129

sales@krowne.com • www.krowne.com • www.facebook.com/KrowneMetal • www.twitter.com/KrowneMetal

Rev. 09/2011
No. 16-181

Central Restaurant Products