



Model: _____ Item #: _____ Date: _____

Project: _____ Qty: _____ Approved By: _____

Royal Series Ice Bins

Royal Series Underbar



KR19-24-10

Standard Features

- Available with 12" or 15" deep liners
- Available in 19" or 24" depths (front to back)
- Two bottle wells included
- Soda line access on cold plate units
- Optional built-in speed rail
- 10 circuit cold plate available (All units with cold plates have soda line cutout in rear)

Specifications

Material	<ul style="list-style-type: none"> ▪ Interior: 20 gauge stainless steel ▪ Front Apron: 20 gauge stainless steel clad over 20 gauge galvanized steel ▪ Backsplash: 20 gauge stainless steel ▪ Back and Bottom: 20 gauge galvanized steel
Legs	<ul style="list-style-type: none"> ▪ 1-5/8" tubular 16 gauge stainless steel with grey plastic bullet foot
Insulation	<ul style="list-style-type: none"> ▪ Foamed-in-place polyurethane
Cold Plate	<ul style="list-style-type: none"> ▪ Model numbers that end '-10' include high performance built-in 10-circuit post mix cold plate. (KR19-18-7 and KR24-18-7 includes 7-circuit cold plate) ▪ Plate is sealed into bottom of ice bin ▪ Each circuit is 5/16" OD stainless steel tubing ▪ Two full with remainder to be half circuits ▪ Bump and swedge fittings on ends
Plumbing	<ul style="list-style-type: none"> ▪ 1" IPS drain connection ▪ Units with cold plates: 1/2" x 4" PVC tailpiece (1/2" -20 male threaded) included. ▪ PVC tailpiece required to avoid condensation through metal to metal contact
Tubing Access (Cold Plate)	<ul style="list-style-type: none"> ▪ 3/4" x 3-1/2" cutout in left side of backsplash

Optional Accessories

Model	Description
KR-101	Condiment Tray
KR-103	12" Deep Stainless Steel Divider for KR19
KR-109	12" Deep Stainless Steel Divider for KR24
KR-113	15" Deep Stainless Steel Divider for KR19
KR-114	15" Deep Stainless Steel Divider for KR24
KR-303	Left & Right End Side Splashes for KR19
KR-310	Right End Splash for KR19
KR-311	Left End Splash for KR19
KR-313	Left & Right End Side Splashes for KR24
KR-314	Right End Splash for KR24
KR-315	Left End Splash for KR24
KR-401	Cap Catcher and Opener
KR-406	Faucet Installed Over Ice Bin
KR-501	Towel Ring
KR-519	18" Garnish Station with Sliding Cover
KR-520	24" Garnish Station with Sliding Cover
KR-521	30" Garnish Station with Sliding Cover
KR-522	36" Garnish Station with Sliding Cover
SC"XX"H	Partial Sliding Cover for 19"D Ice Bin ("XX" denotes length of Ice Bin, ex: SC24H)
SC"XX"F	Full Sliding Cover for 19"D Ice Bin ("XX" denotes length of Ice Bin, ex: SC24F)
SCD"XX"H	Partial Sliding Cover for 24"D Ice Bin ("XX" denotes length of Ice Bin, ex: SCD24H)
SCD"XX"F	Full Sliding Cover for 24"D Ice Bin ("XX" denotes length of Ice Bin, ex: SCD24F)
RS-"XX"	Single Speed Rail ("XX" denotes length of Ice Bin, ex: RS-24)
RD-"XX"	Double Speed Rail ("XX" denotes length of Ice Bin, ex: RD-24)
30-550	3-Bottle Plastic Bottle Well for KR19 (qty 1)
30-502	3-Bottle Plastic Bottle Well for KR19 (qty 2)
KR-409	4-Bottle Plastic Bottle Well for KR24 (qty 1)
KR-410	4-Bottle Plastic Bottle Well for KR24 (qty 2)

Cold Plate Note

Health Departments require the optional built-in cold plates when using a soda system. The cold plate is a large aluminum plate with stainless steel lines inside. The soda system will be connected to the stainless steel lines which are chilled from the ice inside the ice bin. The purpose of this plate is to chill the soda before it is dispensed through the soda gun. A cold plate cannot be added to an ice bin after it has been purchased.





Model: _____ Item #: _____ Date: _____

Project: _____ Qty: _____ Approved By: _____

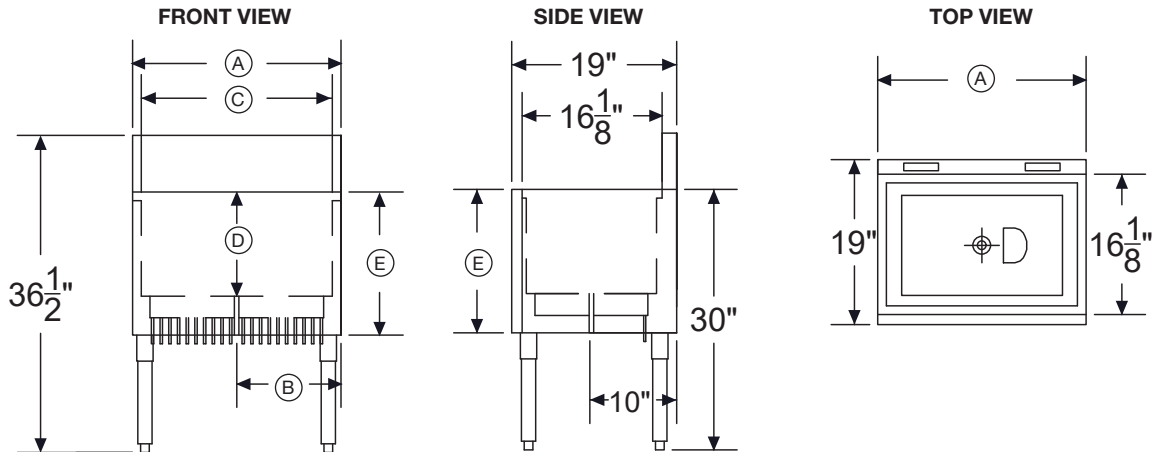
Royal Series Ice Bins

Royal Series Underbar

19" Depth Ice Bins (KR19)

NOTE: Models KR19-6 and KR19-8 must ship attached to adjacent unit at factory. Cannot ship loose. Free standing unit not available.

Model	Overall Length (A)	Left Side to Drain (B)	Interior Dimensions (C)	Inside Depth (Liner) (D)	Outside Depth (E)	Ice Capacity (lbs.)	Cold Plate Circuits	Weight (lbs.)
KR19-6	6"	3"	15" x 4"	10"	13-1/2"	20	-	20
KR19-8	8"	4"	15" x 6"	10"	13-1/2"	22	-	25
KR19-12	12"	9"	15" x 10"	10"	13-1/2"	25	-	35
KR19-18	18"	9"	15" x 16"	12"	13-1/2"	55	-	57
KR19-24	24"	12"	15" x 22"	12"	13-1/2"	74	-	67
KR19-30	30"	15"	15" x 28"	12"	13-1/2"	92	-	76
KR19-36	36"	18"	15" x 34"	12"	13-1/2"	110	-	86
KR19-42	42"	21"	15" x 40"	12"	13-1/2"	129	-	95
KR19-48	48"	24"	15" x 46"	12"	13-1/2"	147	-	105
KR19-18-7	18"	9"	15" x 16"	12"	13-1/2"	55	7	110
KR19-24-10	24"	12"	15" x 22"	12"	16-1/2"	74	10	124
KR19-30-10	30"	15"	15" x 28"	12"	16-1/2"	92	10	138
KR19-36-10	36"	18"	15" x 34"	12"	16-1/2"	110	10	152
KR19-42-10	42"	21"	15" x 40"	12"	16-1/2"	129	10	162
KR19-48-10	48"	24"	15" x 46"	12"	16-1/2"	147	10	171
KR19-18DP	18"	9"	15" x 16"	15"	16-1/2"	73	-	72
KR19-24DP	24"	12"	15" x 22"	15"	16-1/2"	97	-	76
KR19-30DP	30"	15"	15" x 28"	15"	16-1/2"	122	-	86
KR19-36DP	36"	18"	15" x 34"	15"	16-1/2"	146	-	95
KR19-42DP	42"	21"	15" x 40"	15"	16-1/2"	170	-	150
KR19-48DP	48"	24"	15" x 46"	15"	16-1/2"	194	-	119
KR19-18DP-7	18"	9"	15" x 16"	15"	16-1/2"	73	7	119
KR19-24DP-10	24"	12"	15" x 22"	15"	19-1/2"	97	10	133
KR19-30DP-10	30"	15"	15" x 28"	15"	19-1/2"	122	10	148
KR19-36DP-10	36"	18"	15" x 34"	15"	19-1/2"	146	10	162
KR19-42DP-10	42"	21"	15" x 40"	15"	19-1/2"	170	10	171
KR19-48DP-10	48"	24"	15" x 46"	15"	19-1/2"	194	10	181





Model: _____ Item #: _____ Date: _____

Project: _____ Qty: _____ Approved By: _____

Royal Series Ice Bins

Royal Series Underbar

24" Depth Ice Bins (KR24)

NOTE: Models KR24-6 and KR24-8 must ship attached to adjacent unit at factory. Cannot ship loose. Free standing unit not available.

Model	Overall Length (A)	Left Side to Drain (B)	Interior Dimensions (C)	Inside Depth (Liner) (D)	Outside Depth (E)	Ice Capacity (lbs.)	Cold Plate Circuits	Weight (lbs.)
KR24-6	6"	3"	20" x 4"	10"	13-1/2"	20	-	20
KR24-8	8"	4"	20" x 6"	10"	13-1/2"	31	-	35
KR24-12	12"	9"	20" x 10"	10"	13-1/2"	42	-	55
KR24-18	18"	9"	20" x 16"	12"	13-1/2"	69	-	67
KR24-24	24"	12"	20" x 22"	12"	13-1/2"	92	-	76
KR24-30	30"	15"	20" x 28"	12"	13-1/2"	115	-	91
KR24-36	36"	18"	20" x 34"	12"	13-1/2"	138	-	105
KR24-42	42"	21"	20" x 40"	12"	13-1/2"	161	-	114
KR24-48	48"	24"	20" x 46"	12"	13-1/2"	184	-	124
KR24-18-7	18"	9"	20" x 16"	12"	16-1/2"	69	7	124
KR24-24-10	24"	12"	20" x 22"	12"	16-1/2"	92	10	138
KR24-30-10	30"	15"	20" x 28"	12"	16-1/2"	115	10	152
KR24-36-10	36"	18"	20" x 34"	12"	16-1/2"	138	10	162
KR24-42-10	42"	21"	20" x 40"	12"	16-1/2"	161	10	176
KR24-48-10	48"	24"	20" x 46"	12"	16-1/2"	184	10	186
KR24-18DP-7	18"	9"	20" x 16"	15"	19-1/2"	91	7	133
KR24-24DP-10	24"	12"	20" x 22"	15"	19-1/2"	121	10	148
KR24-30DP-10	30"	15"	20" x 28"	15"	19-1/2"	153	10	162
KR24-36DP-10	36"	18"	20" x 34"	15"	19-1/2"	183	10	171
KR24-42DP-10	42"	21"	20" x 40"	15"	19-1/2"	212	10	186
KR24-48DP-10	48"	24"	20" x 46"	15"	19-1/2"	242	10	195

