



ROYAL SERIES UNDERBAR MULTI STATIONS

MODEL: _____ PROJECT: _____ ITEM #: _____ QTY: _____

PRODUCT IMAGE



KR18-M36R-8 SHOWN

AVAILABLE IN 1800 or 2100 SERIES

OPTIONAL ACCESSORIES

- KR-101 Condiment Tray
- KR-103 Stainless Steel Divider
- KR-310 Right End Splash
- KR-311 Left End Splash
- KR-320 Partial Sliding Cover (Using Bottle Wells)
- KR-321 Full Sliding Cover (No Bottle Wells)
- KR-401 Cap Catcher and Opener
- KR-406 Faucet installed over Ice Bin for Meltdown
- KR-501 Towel Ring
- KR-502 15" Deep Liner on Ice Bin Section

STANDARD FEATURES

- **Interior**
20 gauge stainless steel. 12" deep Ice Bin section. 10" deep Bottle section
- **Cold Plate**
Cast aluminum post mix plate with 10 circuits. Plate is sealed into bottom. Each circuit is $\frac{5}{16}$ " OD stainless steel tubing. Two full with remainder to be half circuits. Bump and swedge fittings on ends
- **Front Apron**
20 gauge stainless steel clad over 20 gauge galvanized steel
- **Sides**
20 gauge stainless steel
- **Backsplash**
20 gauge stainless steel
- **Back and Bottom**
20 gauge galvanized steel
- **Legs**
1 $\frac{5}{8}$ " tubular 16 gauge stainless steel with grey plastic bullet foot
- **Tube Access (Cold Plate)**
1800 Series: $\frac{3}{4}$ " x 3 $\frac{1}{2}$ " cutout in left side of backsplash
2100 Series: $\frac{1}{2}$ " x 4.3" cutout in left side of backsplash
- **Insulation**
Foamed-in-place polyurethane
- **Plumbing**
Cold Plate: $\frac{1}{2}$ " IPS drain connection
No Cold Plate: 1" IPS drain connection
- **NOTE: Cold Plate units supplied with $\frac{1}{2}$ " x 4" male threaded PVC tailpipe**



APPROVED BY:

CERTIFICATIONS:

Due to our commitment to continued product improvement, specifications are subject to change without notice.

Printed in the USA

Krowne Metal Corporation

100 Haul Rd. Wayne, NJ 07470 • Toll Free: (800) 631-0442 • Fax: (973) 872-1129
sales@krowne.com • www.krowne.com • www.facebook.com/KrowneMetal • www.twitter.com/KrowneMetal

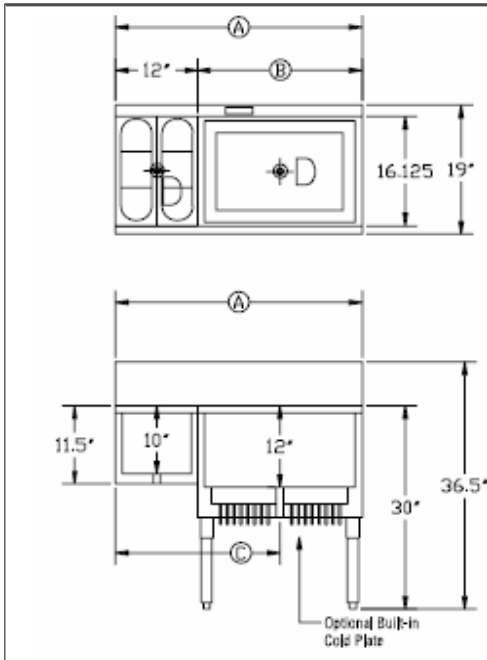
Rev. 03/2012
No. 5.7



ROYAL SERIES UNDERBAR MULTI STATIONS

MODEL: _____ PROJECT: _____ ITEM #: _____ QTY: _____

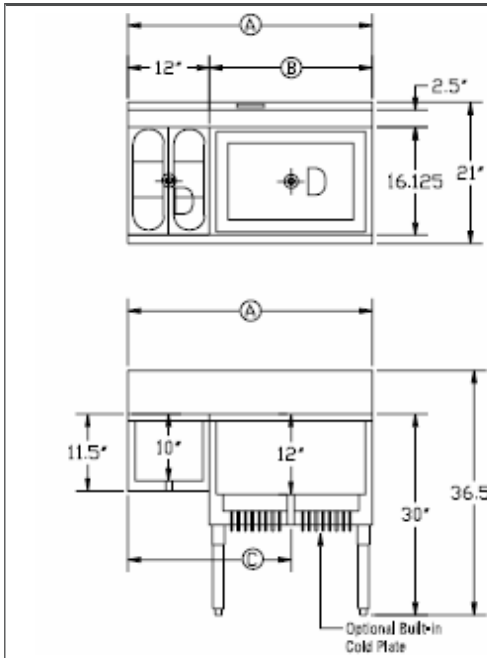
1800 SERIES



Model Numbers	Overall Length A	Ice Bin Length B	Ice Bin Location	Bottles Stored	Left Side to Ice Bin Drain C	Ice Capacity (lbs.)	Cold Plate Circuits	Weight (lbs.)
KR18-M36R	3'-0"	24"	Right	6	24"	80	N/A	95
KR18-M36L	3'-0"	24"	Left	6	12"	80	N/A	95
KR18-M36R-10	3'-0"	24"	Right	6	24"	80	10	172
KR18-M36L-10	3'-0"	24"	Left	6	12"	80	10	172
KR18-M42R	3'-6"	30"	Right	6	27"	97	N/A	108
KR18-M42L	3'-6"	30"	Left	6	15"	97	N/A	108
KR18-M42R-10	3'-6"	30"	Right	6	27"	97	10	185
KR18-M42L-10	3'-6"	30"	Left	6	15"	97	10	185
KR18-M48C	4'-0"	24"	Center	12	24"	80	N/A	116
KR18-M48R	4'-0"	36"	Right	6	30"	115	N/A	116
KR18-M48L	4'-0"	36"	Left	6	18"	115	N/A	116
KR18-M48C-10	4'-0"	24"	Center	12	24"	80	10	193
KR18-M48R-10	4'-0"	36"	Right	6	30"	115	10	193
KR18-M48L-10	4'-0"	36"	Left	6	18"	115	10	193

MECHANICAL REQUIREMENTS: 1" IPS drain connection without Cold Plate. 1/2" IPS drain connection with Cold Plate.

2100 SERIES



Model Numbers	Overall Length A	Ice Bin Length B	Ice Bin Location	Bottles Stored	Left Side to Ice Bin Drain C	Ice Capacity (lbs.)	Cold Plate Circuits	Weight (lbs.)
KR21-M36R	3'-0"	24"	Right	6	24"	80	N/A	95
KR21-M36L	3'-0"	24"	Left	6	12"	80	N/A	95
KR21-M36R-10	3'-0"	24"	Right	6	24"	80	10	172
KR21-M36L-10	3'-0"	24"	Left	6	12"	80	10	172
KR21-M42R	3'-6"	30"	Right	6	27"	97	N/A	108
KR21-M42L	3'-6"	30"	Left	6	15"	97	N/A	108
KR21-M42R-10	3'-6"	30"	Right	6	27"	97	10	185
KR21-M42L-10	3'-6"	30"	Left	6	15"	97	10	185
KR21-M48C	4'-0"	24"	Center	12	24"	80	N/A	116
KR21-M48R	4'-0"	36"	Right	6	30"	115	N/A	116
KR21-M48L	4'-0"	36"	Left	6	18"	115	N/A	116
KR21-M48C-10	4'-0"	24"	Center	12	24"	80	10	193
KR21-M48R-10	4'-0"	36"	Right	6	30"	115	10	193
KR21-M48L-10	4'-0"	36"	Left	6	18"	115	10	193

MECHANICAL REQUIREMENTS: 1" IPS drain connection without Cold Plate. 1/2" IPS drain connection with Cold Plate.



APPROVED BY:

CERTIFICATIONS:

Due to our commitment to continued product improvement, specifications are subject to change without notice.