

Self-Contained Direct Draw Coolers

Refrigeration



DB60L-SSS-LR
shown with optional
stainless steel doors



Standard Features

- 36"H, 25" Front to Back Depth
- Additional beer tower options: up to 8 taps, four sixtels per door
- Available in standard door sizes 36", 60", 72", 84" & 108"
- Available in narrow door size 52"
- Coved corner stainless steel interior
- Reinforced stainless steel keg floor and built-in kickplate for durability
- Stainless steel handles with built-in locks
- DynamicChill 360° Technology
- Heated mullion to minimize condensation
- Digital thermostat
- Standard operating range of 30°-40°F (Set at 35°F) unless specified
- Pre-drilled bottom for optional casters (uses 1/4-20 self tapping 1/2"L screw)
- R290 Hydrocarbon Refrigerant
- Eco-friendly Refrigerant and Insulation
- 5-Year Compressor Warranty
- 1-Year Parts & Labor Warranty

Specifications

Electrical	<ul style="list-style-type: none"> ▪ 115V, 1 Phase, 60 Hz ▪ Furnished with 8 ft. plug-in cord, which exists left or right rear of cooler ▪ NEMA 5-15P plug configuration ▪ Dedicated 15 Amp circuit recommended
	<ul style="list-style-type: none"> ▪ 1 Door Units (36"): 1.7 amps, 1/5 HP ▪ 2 Door Units (52"): 2.2 amps, 1/4 HP ▪ 2 Door Units (60"): 2.2 amps, 1/4 HP ▪ 3 Door Units (72"): 2.2 amps, 1/4 HP ▪ 3 Door Units (84"): 2.7 amps, 1/3 HP ▪ 4 Door Units (108"): 2.8 amps, 1/3 HP
Refrigeration	<ul style="list-style-type: none"> ▪ R290 Hydrocarbon Refrigerant ▪ 30°F - 40°F operating range ▪ Digital thermostat on front grille
Plumbing	<ul style="list-style-type: none"> ▪ No drain required ▪ Condensate evaporator pan included ▪ 1/2" drain line provided from beer drainer exits bottom front of refrigeration compartment
Insulation	<ul style="list-style-type: none"> ▪ 2" thick foamed-in-place polyurethane
Interior	<ul style="list-style-type: none"> ▪ 20 gauge stainless steel walls with coved corners ▪ Removable corrugated stainless steel floor racks ▪ Standard door opening: 19-3/4"W x 29-11/16"H ▪ Narrow door opening: 15-3/4"W x 29-11/16"H

Exterior	<ul style="list-style-type: none"> ▪ Sides: 20 gauge stainless steel ▪ Front: 20 gauge stainless steel or black vinyl ▪ Back: 20 gauge galvanized steel ▪ Top: 1" stainless steel top ▪ Up to 4 faucets: 16-1/4" x 15" drainer ▪ 5-10 faucets: 28-1/4" x 15" drainer
	<ul style="list-style-type: none"> ▪ Standard Door models: 24"W doors ▪ Narrow Door models: 20"W doors
Doors	<ul style="list-style-type: none"> ▪ Black Vinyl standard door finish (Stainless Steel upgrade available) ▪ Stainless steel handles with built-in locks
Faucets	<ul style="list-style-type: none"> ▪ 1 Door Units (36"): 1 Faucet ▪ 2 Door Units (52"): 2 Faucets ▪ 2 Door Units (60"): 2 Faucets ▪ 2 Door Units (72"): 3 Faucets ▪ 4 Door Units (84"): 4 Faucets ▪ 4 Door Units (108"): 5 Faucets
	<ul style="list-style-type: none"> ▪ Additional beer tower options available, up to 8 taps, four sixtels per door
Keg Capacity	<ul style="list-style-type: none"> ▪ Please check our website for full list of keg capacity configurations

This equipment is intended for the storage and display of non-potentially hazardous bottle or canned products only.

This equipment is intended for use in an area where the ambient temperature typically does not exceed 75 °F.



Intertek
4003355



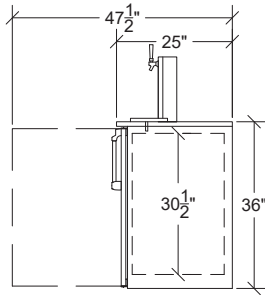
Intertek
CONFORMS TO UL Std 471
& NSF STD 7

Self-Contained Direct Draw Coolers

Refrigeration

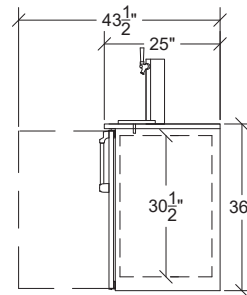
Standard Door Side View

Applies to Models beginning DB36, DB60, DB72, DB84, DB108



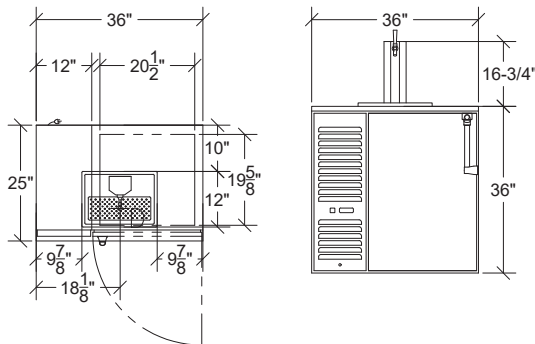
Narrow Door Side View

Applies to Models beginning DB52



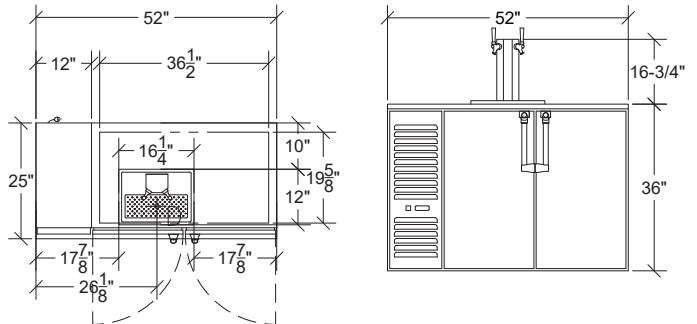
One Door (36")

Models beginning DB36
235 lbs. (250 lbs. with top)



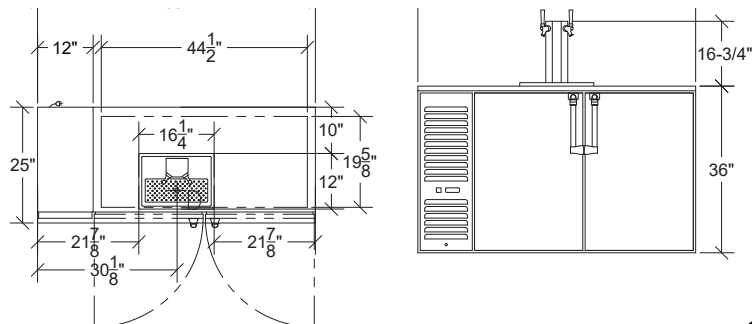
Two Door (52")

Models beginning DB52



Two Door (60")

Models beginning DB60
360 lbs. (380 lbs. with top)

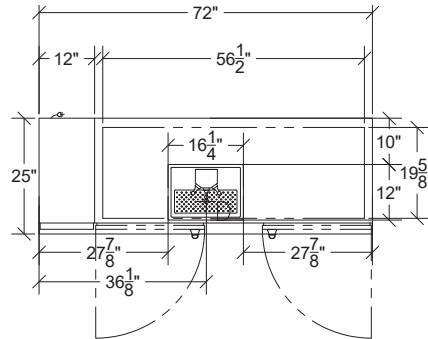


Self-Contained Direct Draw Coolers

Refrigeration

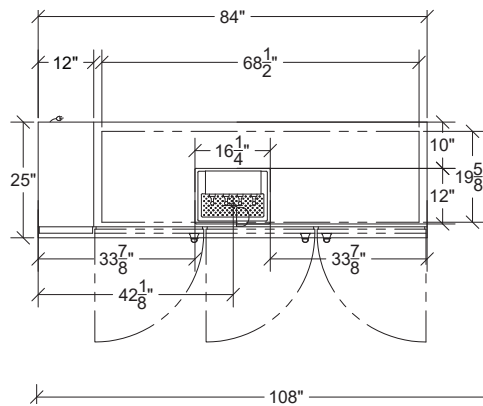
Two Door (72")

Models beginning DB72
480 lbs. (505 lbs. with top)



Three Door (84")

Models beginning DB84
525 lbs. (580 lbs. with top)



Four Door (108")

Models beginning DB108

