



Model: **17-124WL** Item #: _____ Date: _____

Project: _____ Qty: _____ Approved By: _____

4" Center Wall Mount Pre-Rinse

Royal Series Plumbing



Standard Features

- 1/4 turn stainless steel high performance ceramic cartridge valves with built-in check valves
- 35" High with 15" Overhang
- Lever Handles
- Includes wall bracket & mounting kit
- Warranty: 3 years

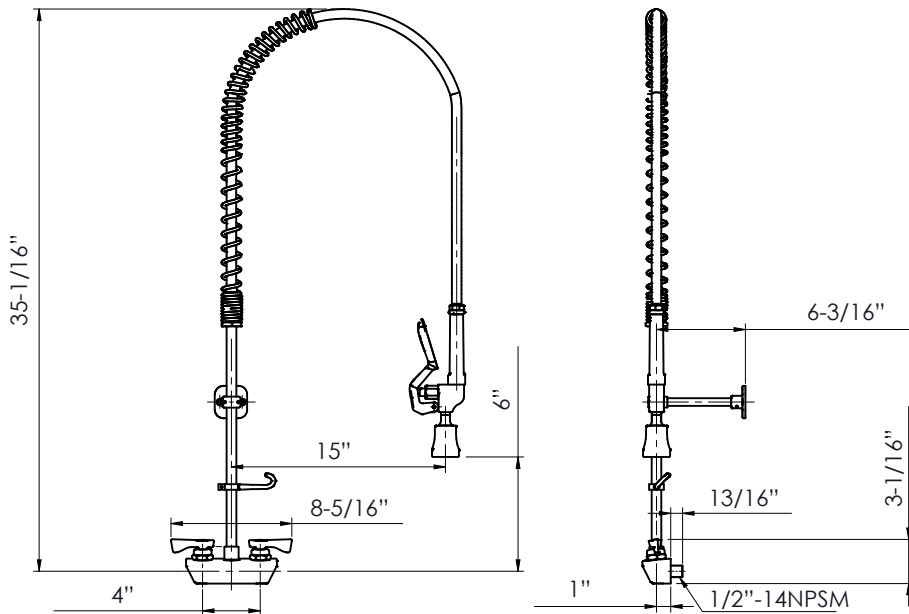
Specifications

Water Inlet	1/2" NPS Male
Temp. Range	40° - 180°F
Centers	4" Center
Mounting Style	Wall Mount
Rough In	Two 7/8" Round Holes
Pressure	20-120 PSI
Spray Head Flow Rate	1.15 GPM
Material	Solid Brass
Finish	Polished Chrome
Weight	16 lbs

Model	Description
17-124WL	4" Center Wall Mount Pre-Rinse, Chrome Finish, and 1.15 GPM @ 60 PSI Spray Head

Product Compliance

- NSF-61 & NSF/ANSI 372
- ASME A112.18.1-2012/CSA B125.1-12 & NSF/ANSI 372



WARNING:

Plumbing connections should be made by qualified personnel who will observe all applicable plumbing, sanitary and safety codes.

California Prop 65 Warning:

This product can expose you to chemicals including lead and lead compounds, which are known to the State of California to cause cancer and birth defects or other reproductive harm. For more information go to www.P65Warnings.ca.gov.