



Model: \_\_\_\_\_ Item #: \_\_\_\_\_ Date: \_\_\_\_\_

Project: \_\_\_\_\_ Qty: \_\_\_\_\_ Approved By: \_\_\_\_\_

# Royal Series Liquor Displays

# Royal Series Underbar



**KR24-24RD**



## Standard Features

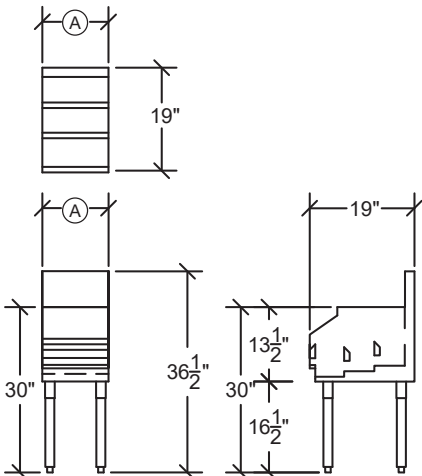
- Tiered bottle storage system that is easily accessible for bartenders
- Sound deadening technology
- Available in 3-step, 4-step, or 5-step
- Locking covers available for 4-step models

## Specifications

- Bottle Steps: 20 gauge stainless steel
  - Guardrails: 20 gauge stainless steel
  - Backsplash: 20 gauge stainless steel
  - Sides: 18 gauge stainless steel
  - Back & Bottom: 20 gauge galvanized steel
- Material**
- 1-5/8" tubular 16 gauge stainless steel with grey plastic bullet foot
- Legs**

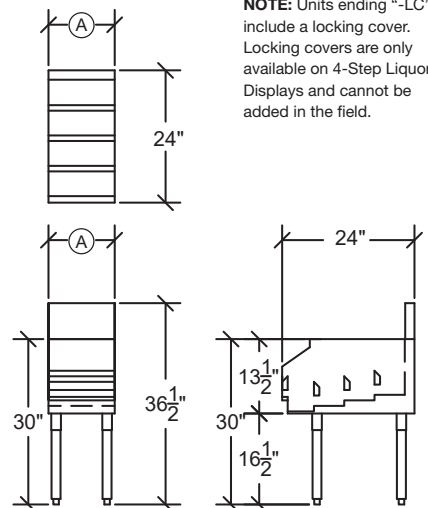
### 3-Step Liquor Displays

Model	Length (A)	Depth (Front to Back)	Bottle Storage	Wgt. (lbs.)
KR19-12RD	12"	19"	9	32
KR19-18RD	18"	19"	12	40
KR19-24RD	24"	19"	18	50



### 4-Step Liquor Displays

Model	Length (A)	Depth (Front to Back)	Bottle Storage	Wgt. (lbs.)
KR24-12RD	12"	24"	12	40
KR24-18RD	18"	24"	16	48
KR24-24RD	24"	24"	24	60
KR24-30RD	30"	24"	32	70
KR24-36RD	36"	24"	36	80
KR24-12RD-LC	12"	24"	12	45
KR24-18RD-LC	18"	24"	16	55
KR24-24RD-LC	24"	24"	24	65



### 5-Step Liquor Displays

Model	Length (A)	Depth (Front to Back) (B)	Bottle Storage	Wgt. (lbs.)
KR24-ML8	8"	24"	10	35
KR24-ML12	12"	24"	15	40
KR24-ML16	16"	24"	20	45
KR29-12RD	12"	29"	15	55
KR29-18RD	18"	29"	20	65
KR29-24RD	24"	29"	28	75

