

6" to 7" ADJUSTABLE HEIGHT PLATE CASTERS

MODEL: _____ PROJECT: _____ ITEM #: _____ QTY: _____

PRODUCT IMAGE

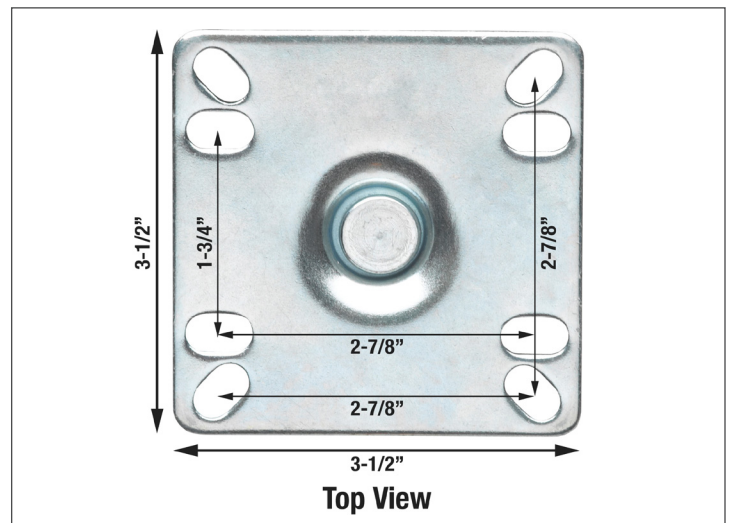


28-114S SHOWN

STANDARD FEATURES

- 3 1/2" x 3 1/2" plate
- 6" to 7" height adjustment
- 3" grease resistant wheels with front brakes
- Set of 4 per box
- Quantity per case: 12

HOLE CENTERS



SPECIFICATIONS

Model Number	Hole Centers	Weight/Set of 4 (lbs.)	Load Capacity per Caster (lbs.)	Temp Range	Wheel Size	Overall Height
28-114S	2 7/8" Outer 1 3/4" Inner	10	220	14°F to 212°F	3" with Front Brake	6" to 7"

APPROVED BY:

CERTIFICATIONS:

Due to our commitment to continued product improvement, specifications are subject to change without notice.